

Service Manual

Compact Stereo System

Model No. **SC-HC37GN**

SC-HC37GS

SC-HC37GSX

SC-HC37PU

COMPACT
disc
DIGITAL AUDIO

Made for
iPod iPhone



Product Color: (K)...Black Type (For GN/GS/GSX only)
(S)...Silver Type
(W)...White Type (For GS/GSX/PU only)
(R)...Red Type (For GN/GS/GSX only)

⚠ WARNING

This service information is designed for experienced repair technicians only and is not designed for use by the general public. It does not contain warnings or cautions to advise non-technical individuals of potential dangers in attempting to service a product. Products powered by electricity should be serviced or repaired only by experienced professional technicians. Any attempt to service or repair the product or products dealt with in this service information by anyone else could result in serious injury or death.

IMPORTANT SAFETY NOTICE

There are special components used in this equipment which are important for safety. These parts are marked by ⚠ in the Schematic Diagrams, Circuit Board Diagrams, Exploded Views and Replacement Parts List. It is essential that these critical parts should be replaced with manufacturer's specified parts to prevent shock, fire or other hazards. Do not modify the original design without permission of manufacturer.

TABLE OF CONTENTS

	PAGE		PAGE
1 Safety Precautions -----	3	5.2. CD, iPod/iPhone & USB playback operations ----	14
1.1. General Guidelines-----	3	6 Location of Controls and Components -----	15
1.2. Caution for AC Cord (For GS/GSX)-----	4	6.1. Main Unit & Remote Control Key Button	
1.3. Before Repair and Adjustment -----	5	Operations -----	15
1.4. Protection Circuitry-----	5	7 Installation Instructions -----	16
1.5. Caution For Fuse Replacement-----	5	7.1. Connections -----	16
1.6. Safety Part Information-----	6	8 Service Mode -----	17
2 Warning -----	7	8.1. Self Diagnostic Mode -----	17
2.1. Prevention of Electro Static Discharge (ESD)		8.2. Self Diagnostic Function Error Code-----	18
to Electrostatically Sensitive (ES) Devices-----	7	8.3. Doctor Mode Table-----	19
2.2. Precaution of Laser Diode-----	8	8.4. Sliding Door Operation -----	25
2.3. Service caution based on Legal restrictions -----	9	9 Service Fixture & Tools -----	26
2.4. Handling Precaution for Traverse -----	10	10 Disassembly and Assembly Instructions -----	27
3 Service Navigation -----	11	10.1. Disassembly flow chart -----	28
3.1. Service Information -----	11	10.2. Types of Screws-----	29
4 Specifications -----	12	10.3. Main Parts Location Diagram -----	29
5 General/Introduction -----	13	10.4. Disassembly of Base Stand Assembly -----	30
5.1. Inserting or removing media -----	13	10.5. Replacement of Door Assembly-----	31

Panasonic®

© Panasonic Corporation 2012. All rights reserved.
Unauthorized copying and distribution is a violation of law.

10.6. Replacement of Front Ornament Unit (L) & (R)---	33	14.9. PANEL, INTERLOCK SWITCH, MOTOR & BUTTON CIRCUIT -----	110
10.7. Disassembly of Front Panel Block-----	34	14.10. SMPS CIRCUIT -----	111
10.8. Replacement of iPod Block-----	36	15 Printed Circuit Board-----	112
10.9. Disassembly of Interlock Switch P.C.B.-----	41	15.1. CD SERVO P.C.B.-----	112
10.10. Disassembly of Remote Sensor P.C.B.-----	43	15.2. MAIN P.C.B. (Side A)-----	113
10.11. Replacement of Gear Box Assembly -----	46	15.3. MAIN P.C.B. (Side B)-----	114
10.12. Disassembly of Motor P.C.B. -----	48	15.4. iPod & REMOTE SENSOR P.C.B. -----	115
10.13. Disassembly of Belt & Pulley Gear -----	49	15.5. PANEL, INTERLOCK SWITCH & MOTOR P.C.B. -----	116
10.14. Disassembly of Motor Assembly -----	50	15.6. BUTTON & SMPS P.C.B. -----	117
10.15. Disassembly of Centering Spring & Centering Stopper-----	51	16 Appendix Information of Schematic Diagram -----	119
10.16. Disassembly of Lever Spring, Trigger Lever & Driver Gear A -----	53	16.1. Voltage Measurement & Waveform Chart-----	119
10.17. Disassembly of SW Lever, Relay Gear & Driver Gear B -----	54	16.2. Illustration of IC's, Transistors and Diodes -----	125
10.18. Disassembly of Shutter & Shutter Spring -----	56	16.3. Terminal Function of IC's -----	126
10.19. Disassembly of Upper Guide Rail & Top Ornament-----	57	17 Exploded View and Replacement Parts List-----	127
10.20. Disassembly of Bottom Ornament-----	58	17.1. Exploded View and Mechanical replacement Parts List-----	127
10.21. Disassembly of Lower Guide Rail-----	59	17.2. Electrical Replacement Parts List -----	133
10.22. Disassembly of SMPS P.C.B. -----	60		
10.23. Replacement of Diode (D1700) -----	63		
10.24. Disassembly of Panel P.C.B. & Button Ornament Unit -----	64		
10.25. Disassembly of Button P.C.B.-----	65		
10.26. Disassembly of Button Ornament-----	66		
10.27. Disassembly of CD Mechanism -----	67		
10.28. Disassembly of CD Servo P.C.B.-----	68		
10.29. Disassembly of Jack Lid-----	70		
10.30. Disassembly of Main P.C.B. -----	71		
10.31. Disassembly of Passive Radiator (SP3 & SP4) -----	74		
10.32. Disassembly of Front Speaker (SP1) -----	74		
10.33. Disassembly of Front Speaker (SP2) -----	77		
10.34. Disassembly of Passive Radiator (SP5) -----	79		
10.35. Disassembly of Passive Radiator (SP6) -----	79		
11 Service Position -----	80		
11.1. Checking & Repairing of SMPS P.C.B. -----	80		
11.2. Checking & Repairing of Panel P.C.B. -----	81		
11.3. Checking & Repairing of CD Servo P.C.B.-----	83		
11.4. Checking & Repairing of Main P.C.B. (Side B) ---	86		
11.5. Checking & Repairing of Main P.C.B. (Side A) ---	86		
12 Block Diagram -----	93		
12.1. SERVO & SYSTEM CONTROL (1/2) BLOCK DIAGRAM-----	93		
12.2. SERVO & SYSTEM CONTROL (2/2) BLOCK DIAGRAM-----	94		
12.3. IC TERMINAL CHART-----	95		
12.4. AUDIO BLOCK DIAGRAM -----	96		
12.5. POWER SUPPLY (1/2) BLOCK DIAGRAM -----	97		
12.6. POWER SUPPLY (2/2) BLOCK DIAGRAM -----	98		
13 Wiring Connection Diagram -----	99		
14 Schematic Diagram-----	101		
14.1. Schematic Diagram Notes-----	101		
14.2. CD SERVO CIRCUIT (1/2) -----	103		
14.3. CD SERVO CIRCUIT (2/2) -----	104		
14.4. MAIN CIRCUIT (1/4) -----	105		
14.5. MAIN CIRCUIT (2/4) -----	106		
14.6. MAIN CIRCUIT (3/4) -----	107		
14.7. MAIN CIRCUIT (4/4) -----	108		
14.8. iPod & REMOTE SENSOR CIRCUIT-----	109		

1 Safety Precautions

1.1. General Guidelines

1. When servicing, observe the original lead dress. If a short circuit is found, replace all parts which have been overheated or damaged by the short circuit.
2. After servicing, see to it that all the protective devices such as insulation barriers, insulation papers shields are properly installed.
3. After servicing, carry out the following leakage current checks to prevent the customer from being exposed to shock hazards.

1.1.1. Leakage Current Cold Check

1. Unplug the AC cord and connect a jumper between the two prongs on the plug.
2. measure the resistance value, with an ohmmeter between the jumpered AC plug and each exposed metallic cabinet part on the equipment such as screwheads, connectors, control shafts, etc. When the exposed metallic part has a return path to the chassis, the reading should be between $1M\Omega$ and $5.2M\Omega$. When the exposed metal does not have a return path to the chassis, the reading must be ∞

1.1.2. Leakage Current Hot Check

1. Plug the AC cord directly into the AC outlet. Do not use an isolation transformer for this check.
2. Connect a $1.5k\Omega$, 10 watts resistor, in parallel with a $0.15\mu F$ capacitors, between each exposed metallic part on the set and a good earth ground such as a water pipe, as shown in Figure 1.
3. Use an AC voltmeter, with 1000 ohms/volt or more sensitivity, to measure the potential across the resistor.
4. Check each exposed metallic part, and measure the voltage at each point.
5. Reverse the AC plug in the AC outlet and repeat each of the above measurements.
6. The potential at any point should not exceed 0.75 volts RMS. A leakage current tester (Simpson Model 229 or equivalent) may be used to make the hot checks, leakage current must not exceed 1/2 milliamp. In case a measurement is outside of the limits specified, there is a possibility of a shock hazard, and the equipment should be repaired and rechecked before it is returned to the customer.

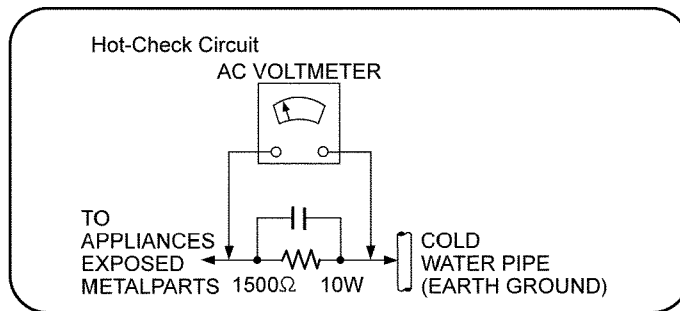


Figure. 1



1.2. Caution for AC Cord (For GS/GSX)

For your safety, please read the following text carefully.

This appliance is supplied with a moulded three pin mains plug for your safety and convenience.

A 5-ampere fuse is fitted in this plug.

Should the fuse need to be replaced please ensure that the replacement fuse has a rating of 5-ampere and that it is approved by ASTA or BSI to BS1362.

Check for the ASTA mark  or the BSI mark  on the body of the fuse.

If the plug contains a removable fuse cover you must ensure that it is refitted when the fuse is replaced.

If you lose the fuse cover, the plug must not be used until a replacement cover is obtained.

A replacement fuse cover can be purchased from your local dealer.

CAUTION!

IF THE FITTED MOULDED PLUG IS UNSUITABLE FOR THE SOCKET OUTLET IN YOUR HOME THEN THE FUSE SHOULD BE REMOVED AND THE PLUG CUT OFF AND DISPOSED OFF SAFELY.

THERE IS A DANGER OF SEVERE ELECTRICAL SHOCK IF THE CUT OFF PLUG IS INSERTED INTO ANY 13-AMPERE SOCKET.

If a new plug is to be fitted, please observe the wiring code as shown below.

If in any doubt please consult a qualified electrician.


IMPORTANT

The wires in this mains lead are coloured in accordance with the following code:

Blue: Neutral
Brown: Live

As these colours may not correspond with the coloured markings identifying the terminals in your plug, proceed as follows:
The wire which is coloured Blue must be connected to the terminal which is marked with the letter N or coloured Black or Blue.

The wire which is coloured Brown must be connected to the terminal which is marked with the letter L or coloured Brown or Red.

WARNING: DO NOT CONNECT EITHER WIRE TO THE EARTH TERMINAL WHICH IS MARKED WITH THE LETTER E, BY THE EARTH SYMBOL  OR COLOURED GREEN OR GREEN/YELLOW.

THIS PLUG IS NOT WATERPROOF—KEEP DRY.

Before use

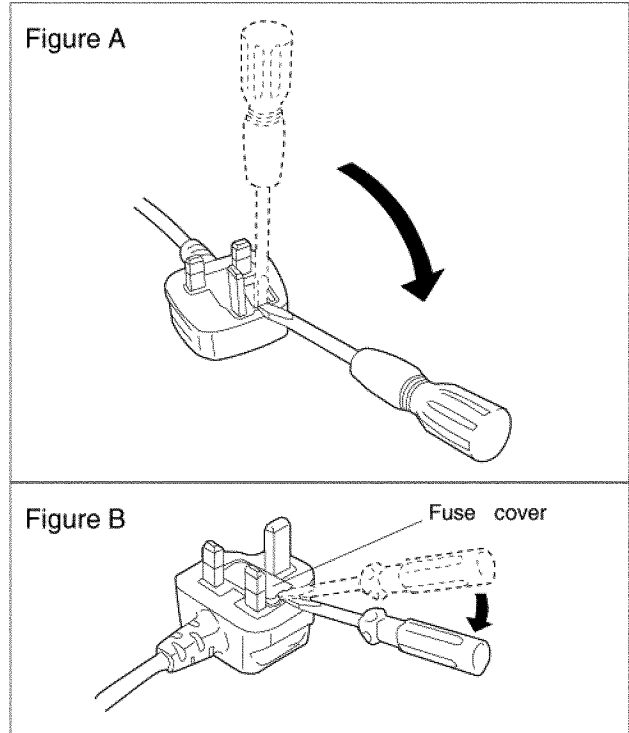
Remove the connector cover.

How to replace the fuse

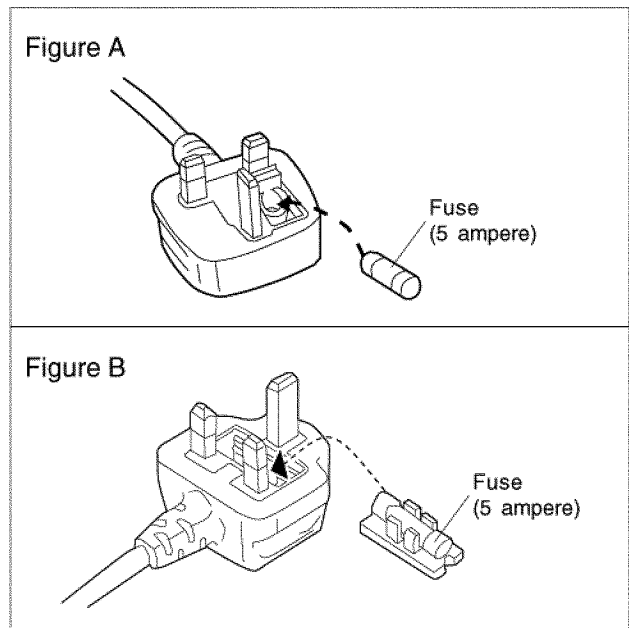
The location of the fuse differ according to the type of AC mains plug (figures A and B). Confirm the AC mains plug fitted and follow the instructions below.

Illustrations may differ from actual AC mains plug.

1. Open the fuse cover with a screwdriver.



2. Replace the fuse and close or attach the fuse cover.



1.3. Before Repair and Adjustment

Disconnect AC power, discharge unit AC Capacitors as such C1702, C1710, C1725, C1727, and C1728 through a 10W, 1W resistor to ground.

Caution : DO NOT SHORT-CIRCUIT DIRECTLY (with a screwdriver blade, for instance), as this may destroy solid state devices. After repairs are completed, restore power gradually using a variac, to avoid overcurrent.

- Current consumption at AC 110V to 240V, at 50/60Hz in NO SIGNAL mode (at volume min in FM Tuner mode) should be ~200 mA. (For GS/GSX/PU)
- Current consumption at AC 220V to 240V, at 50Hz in NO SIGNAL mode (at volume min in FM Tuner mode) should be ~200 mA. (For GN)

1.4. Protection Circuitry

The protection circuitry may have operated if either of the following conditions are noticed:

- No sound is heard when the power is turned on.
- Sound stops during a performance.

The function of this circuitry is to prevent circuitry damage if, for example, the positive and negative speaker connection wires are "shorted", or if speaker systems with an impedance less than the indicated rated impedance of the amplifier are used.

If this occurs, follow the procedure outlines below:

1. Turn off the power.
2. Determine the cause of the problem and correct it.
3. Turn on the power once again after one minute.

Note:

When the protection circuitry functions, the unit will not operate unless the power is first turned off and then on again.

1.5. Caution For Fuse Replacement

CAUTION:

Replace with the same type fuse:
(Manufacturer: Skygate, Type: SCT, F1, T2A, 250V)

1.6. Safety Part Information

Safety Parts List:

There are special components used in this equipment which are important for safety.

These parts are marked by Δ in the Schematic Diagrams, Exploded View & Replacement Parts List. It is essential that these critical parts should be replaced with manufacturer's specified parts to prevent shock, fire or other hazards. Do not modify the original design without permission of manufacturer.

Safety	Ref. No.	Part No.	Part Name & Description	Remarks
Δ	27	RFKHHC37PU-S	REAR CABINET ASS'Y	PU-S
Δ	27	RFKHHC37PU-W	REAR CABINET ASS'Y	PU-W
Δ	27	RFKHHC37GS-W	REAR CABINET ASS'Y	GS-W GSX-W
Δ	27	RFKHHC37GS-S	REAR CABINET ASS'Y	GS-S GS-K, GS-R, GSX-S, GSX-K, GSX-R
Δ	27	RFKHHC37GN-S	REAR CABINET ASS'Y	GN-S, GN-R, GN-K
Δ	59	RMV0390	SMPS INSULATOR A	
Δ	60	RMV0391-1	SMPS INSULATOR B	
Δ	62	RSC1072	SMPS SHIELD PLATE	
Δ	63	RSC1073-1	SMPS BRACKET	
Δ	301	RAE5301Z-V	TRAVERSE UNIT	
Δ	A1	N2QAYC000057	REMOTE CONTROL	
Δ	A2	K2CQ2CA00007	AC CORD	GS PU GSX
Δ	A2	K2CJ2DA00008	AC CORD	GN
Δ	A2	K2CZ3YY00024	AC CORD (3 PIN)	GS,GSX
Δ	A2	K2CP2YY00061	AC CORD	GS,GSX
Δ	A2	K2CA2YY00039	AC CORD	PU
Δ	A3	RQT9644-1M	O/I BOOK (Sp/Pr)	PU
Δ	A3	RQT9640-1L	O/I BOOK (En)	GN
Δ	A3	RQT9641-G	O/I BOOK (Ar)	GS,GSX
Δ	C1702	F0CAF224A105	0.22uF	
Δ	C1710	F1BAF471A013	470pF	
Δ	C1725	F0CAF154A105	0.15uF	
Δ	C1727	F1BAF1020020	1000pF	
Δ	C1728	F1BAF1020020	1000pF	
Δ	F1	K5G202Y00006	FUSE	
Δ	L1702	G0B183E00004	LINE FILTER	
Δ	L7001	EXC24CE900U	NOISE FILTER	
Δ	P1751	K2AA2B000011	AC INLET	
Δ	PC1701	B3PBA0000503	PHOTO COUPLER	
Δ	PCB9	REP4774C	SMPS P.C.B.	(RTL)
Δ	R1724	ERJ12YJ155U	1.5M 1/2W	
Δ	R1726	ERJ12YJ155U	1.5M 1/2W	
Δ	T1100	G4D1A0000117	SWITCHING TRANSFORMER	
Δ	T1700	G4DYZ0000059	MAIN TRANSFORMER	
Δ	TH1701	D4CAA5R10001	THERMISTOR	
Δ	Z1752	ERZV10V511CS	ZNR	

2 Warning

2.1. Prevention of Electro Static Discharge (ESD) to Electrostatically Sensitive (ES) Devices

Some semiconductor (solid state) devices can be damaged easily by static electricity. Such components commonly are called Electrostatically Sensitive (ES) Devices. Examples of typical ES devices are integrated circuits and some field-effect transistors and semiconductor "chip" components. The following techniques should be used to help reduce the incidence of component damage caused by electrostatic discharge (ESD).

1. Immediately before handling any semiconductor component or semiconductor-equipped assembly, drain off any ESD on your body by touching a known earth ground. Alternatively, obtain and wear a commercially available discharging ESD wrist strap, which should be removed for potential shock reasons prior to applying power to the unit under test.
2. After removing an electrical assembly equipped with ES devices, place the assembly on a conductive surface such as aluminium foil, to prevent electrostatic charge build up or exposure of the assembly.
3. Use only a grounded-tip soldering iron to solder or unsolder ES devices.
4. Use only an anti-static solder remover device. Some solder removal devices not classified as "anti-static (ESD protected)" can generate electrical charge sufficient to damage ES devices.
5. Do not use freon-propelled chemicals. These can generate electrical charges sufficient to damage ES devices.
6. Do not remove a replacement ES device from its protective package until immediately before you are ready to install it. (Most replacement ES devices are packaged with leads electrically shorted together by conductive foam, aluminium foil or comparable conductive material).
7. Immediately before removing the protective material from the leads of a replacement ES device, touch the protective material to the chassis or circuit assembly into which the device will be installed.

Caution :

Be sure no power is applied to the chassis or circuit, and observe all other safety precautions.

8. Minimize bodily motions when handling unpackaged replacement ES devices. (Otherwise harmless motion such as the brushing together of your clothes fabric or the lifting of your foot from a carpeted floor can generate static electricity (ESD) sufficient to damage an ES device).

2.2. Precaution of Laser Diode

CAUTION!

THIS PRODUCT UTILIZES A LASER.

USE OF CONTROLS OR ADJUSTMENTS OR PERFORMANCE OF PROCEDURES OTHER THAN THOSE SPECIFIED HEREIN MAY RESULT IN HAZARDOUS RADIATION EXPOSURE.

Caution:

This product utilizes a laser diode with the unit turned "on", invisible laser radiation is emitted from the pickup lens.

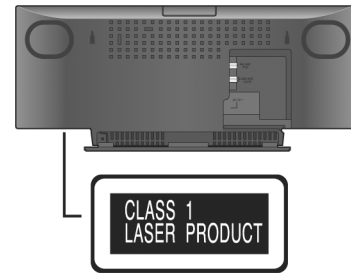
Wavelength: 790 nm (CD)

Maximum output radiation power from pickup: 100 μ W/VDE

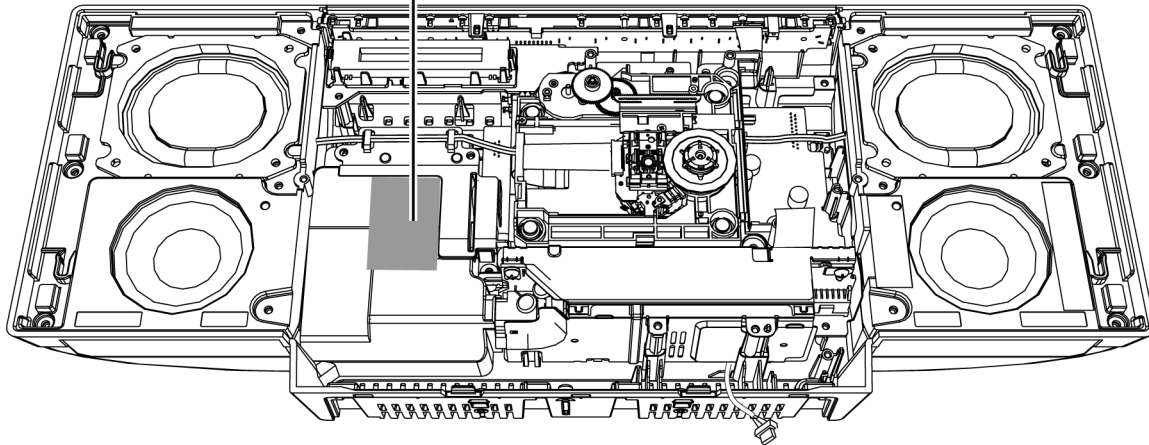
Laser radiation from the pickup unit is safety level, but be sure the followings:

1. Do not disassemble the pickup unit, since radiation from exposed laser diode is dangerous.
2. Do not adjust the variable resistor on the pickup unit. It was already adjusted.
3. Do not look at the focus lens using optical instruments.
4. Recommend not to look at pickup lens for a long time.

CAUTION -	VISIBLE AND INVISIBLE LASER RADIATION WHEN OPEN <AND INTERLOCKS DEFEATED>. DO NOT STARE INTO BEAM. FDA 21 CFR / Class II (IIa)
CAUTION -	CLASS 1M VISIBLE AND INVISIBLE LASER RADIATION WHEN OPEN AND INTERLOCKS DEFEATED. DO NOT VIEW DIRECTLY WITH OPTICAL INSTRUMENTS. IEC300805-1-42/ Class 1M
ATTENTION -	RAYONNEMENT LASER VISIBLE ET INVISIBLE. CLASSE 1M. EN CAS D'OUVERTURE ET LORSQUE LA SECURITE EST NEUTRALISEE, NE PAS REGARDER DIRECTEMENT A L'AIDE D'INSTRUMENTS OPTIQUES.
VARNING -	KLASS 1M SYNLIG OCH OSYNLIG LASERSTRÅLNING NÄR DENNA DEL ÄR ÖPPNAD OCH SPÄRREN ÄR URKOPPLAD. BETRÄKTA EJ STRÅLEN DIREKT GENOM OPTISKA INSTRUMENT.
FORSIGTIG -	SYNLIG OG OSYNLIG LASERSTRÅLING KLASSE 1M. NÄR LÅGET ER ABENT OG SIKKERHEDS ÅBRYDERE ER UDE AF FUNKTION, UNDSØG AT SE LIGE PÅ MED OPTISKE INSTRUMENTER.
VARO! -	AVANTAGESA JA SUOJALUKITUS OHITETAESSA OLET ALTIITINA LUOKAN 1M NÄKYVÄÄ JA NÄKYMÄTÖNTÄ LASERSATELVÄÄ. ÄLÄ KATSO OPTISELLÄ LAITTEELLA SUORAAN SATEESEEN.
VORSICHT -	SICHTBARE LASERSTRÄHLUNG KLASSE 1M. WENN ABDECKUNG GEÖFFNET UND SICHERHEITSABBRÜCKLUNGEN ÜBERBRÜCKT, NICHT DIREKT MIT OPTISCHEN INSTRUMENTEN BETRACHTEN.
PRECAUCIÓN -	RADIACIÓN LASER VISIBLE E INVISIBLE CLASE 1M AL ESTAR ABIERTO Y CON LOS INTERRUPTORES DE BLOQUEO DESHABILITADOS. NO MIRE DIRECTAMENTE CON INSTRUMENTOS ÓPTICOS.
注意 -	打开时及联锁失效时可见及不可见激光辐射。避免光束照射。



(Inside of product)



2.3. Service caution based on Legal restrictions

2.3.1. General description about Lead Free Solder (PbF)

The lead free solder has been used in the mounting process of all electrical components on the printed circuit boards used for this equipment in considering the globally environmental conservation.

The normal solder is the alloy of tin (Sn) and lead (Pb). On the other hand, the lead free solder is the alloy mainly consists of tin (Sn), silver (Ag) and Copper (Cu), and the melting point of the lead free solder is higher approx.30 degrees C (86°F) more than that of the normal solder.

Definition of PCB Lead Free Solder being used

The letter of "PbF" is printed either foil side or components side on the PCB using the lead free solder. (See right figure)	PbF
---	------------

Service caution for repair work using Lead Free Solder (PbF)

- The lead free solder has to be used when repairing the equipment for which the lead free solder is used.
(Definition: The letter of "PbF" is printed on the PCB using the lead free solder.)
- To put lead free solder, it should be well molten and mixed with the original lead free solder.
- Remove the remaining lead free solder on the PCB cleanly for soldering of the new IC.
- Since the melting point of the lead free solder is higher than that of the normal lead solder, it takes the longer time to melt the lead free solder.
- Use the soldering iron (more than 70W) equipped with the temperature control after setting the temperature at 350±30 degrees C (662±86°F).

Recommended Lead Free Solder (Service Parts Route.)

- The following 3 types of lead free solder are available through the service parts route.
RFKZ03D01K----- (0.3mm 100g Reel)
RFKZ06D01K----- (0.6mm 100g Reel)
RFKZ10D01K----- (1.0mm 100g Reel)

Note

- * Ingredient: Tin (Sn), 96.5%, Silver (Ag) 3.0%, Copper (Cu) 0.5%, Cobalt (Co) / Germanium (Ge) 0.1 to 0.3%

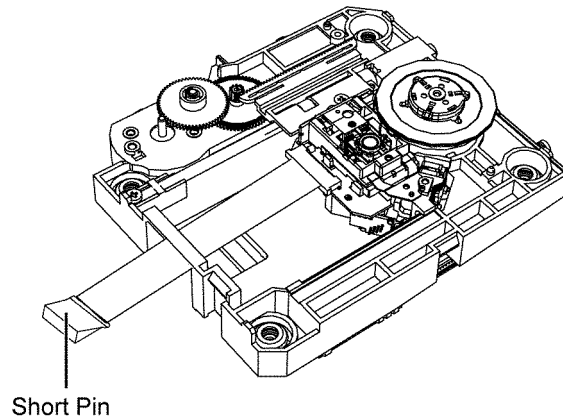
2.4. Handling Precaution for Traverse

The laser diode in the optical pickup unit may break down due to static electricity of clothes or human body. Special care must be taken avoid caution to electrostatic breakdown when servicing and handling the laser diode in the Traverse.

2.4.1. Cautions to Be Taken in Handling the Optical Pickup Unit

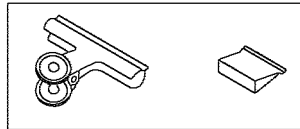
The laser diode in the optical pickup unit may be damaged due to electrostatic discharge generating from clothes or human body. Special care must be taken avoid caution to electrostatic discharge damage when servicing the laser diode.

1. Do not give a considerable shock to the optical pickup unit as it has an extremely high-precise structure.
2. To prevent the laser diode from the electrostatic discharge damage, the flexible cable of the optical pickup unit removed should be short-circuited with a short pin or a clip.
3. The flexible cable may be cut off if an excessive force is applied to it. Use caution when handling the flexible cable.
4. The antistatic FPC is connected to the new optical pickup unit. After replacing the optical pickup unit and connecting the flexible cable, cut off the antistatic FPC.



[Caution]

Ground the cable with a clip or a short pin.



Clip or Short Pin

2.4.2. Grounding for electrostatic breakdown prevention

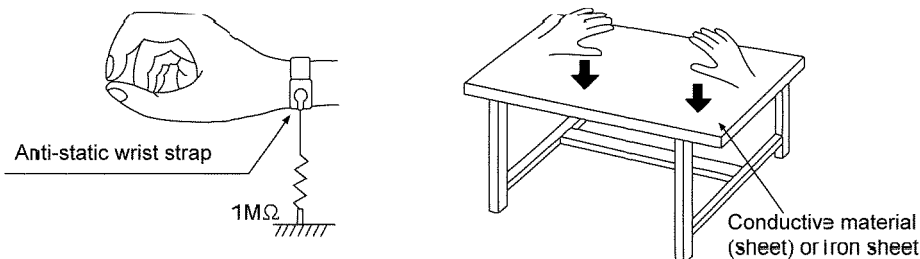
Some devices such as the CD player use the optical pickup (laser diode) and the optical pickup will be damaged by static electricity in the working environment. Proceed servicing works under the working environment where grounding works is completed.

2.4.2.1. Worktable grounding

1. Put a conductive material (sheet) or iron sheet on the area where the optical pickup is placed, and ground the sheet.

2.4.2.2. Human body grounding

1. Use the anti-static wrist strap to discharge the static electricity form your body (Figure 2).



3 Service Navigation

3.1. Service Information

This service manual contains technical information which will allow service personnel's to understand and service this model. Please place orders using the parts list and not the drawing reference numbers.

If the circuit is changed or modified, this information will be followed by supplement service manual to be filed with original service manual.

- **Micro-processor:**

- 1) The following components are supplied as an assembled part.
 - Micro-processor IC, (IC6002) (RFKWMHC37EG)

4 Specifications

■ General

Power consumption	25 W
Power consumption in standby mode	Approx. 0.2 W
Power supply (GN only)	AC 110 V to 240 V, 50/60 Hz AC 220 V to 240 V, 50 Hz
Dimensions (W x H x D)	480 mm x 197 mm x 84 mm Depth without stand 75 mm
Mass	Approx. 2.5 kg
Operating temperature range	0 °C to +40 °C
Operating humidity range	35% to 80 % RH (no condensation)

■ Amplifier Section

Output Power	
RMS Output Power Stereo Mode	
Front Ch (both ch driven)	20 W per channel (6 Ω), 1 kHz, 10% THD
Total RMS Stereo mode power	40 W
PMPO output power (GS only)	450 W

■ Tuner section

Preset Memory	FM 30 stations AM 15 stations
Frequency modulation (FM)	
Frequency range	87.50 MHz to 108.00 MHz (50 kHz step)
Antenna terminals	75 Ω (unbalanced)
Amplitude Modulation (AM)	
Frequency range	522 kHz to 1629 kHz (9 kHz step) 520 kHz to 1630 kHz (10 kHz step)

■ Terminals section

USB port	
USB standard	USB 2.0 full speed
Media file format support	MP3 (*.mp3)
USB device file system	FAT12, FAT16, FAT32
USB port power	DC OUT 5 V, 500 mA MAX
iPod Connector	DC OUT 5 V, 1.0 A MAX
Phone jack	
Terminal	Stereo, Ø3.5 mm jack

■ Disc Section

Disc played [8 cm or 12 cm]	CD, CD-R/RW (CD-DA, MP3*)
* MPEG-1 Layer 3, MPEG-2 Layer 3	
Pick up	
Wavelength	790 nm (CD)
Laser power	CLASS 1
Audio output (Disc)	
Number of channels	2 ch (FL, FR)

■ Speaker System Section

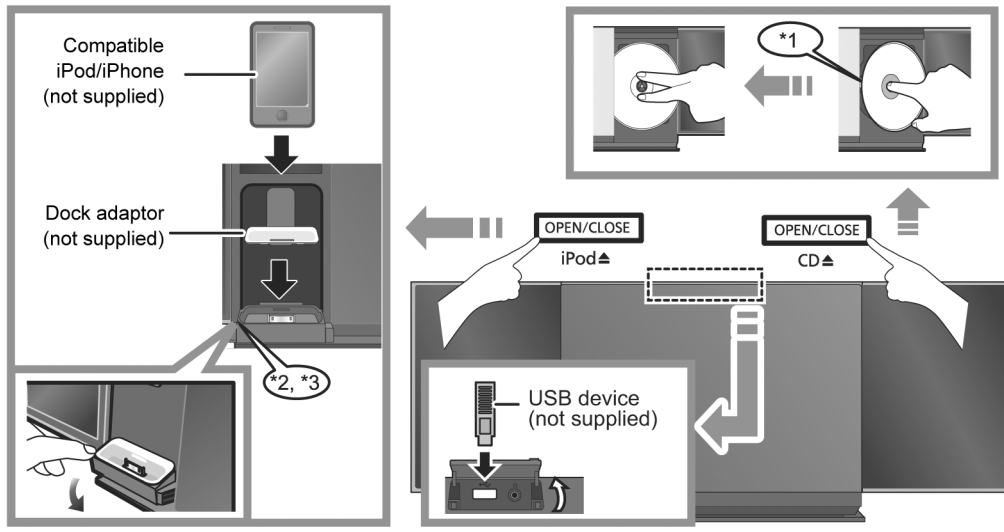
Type	1 way, 1 speaker system (Passive Radiator)
Speaker unit(s)	
Full range	6.5 cm Cone type x 1 per channel
Passive Radiator	8 cm x 2 per channel
Impedance	6 Ω

- Specifications are subject to change without notice. Mass and dimensions are approximate.
- Total harmonic distortion is measured by the digital spectrum analyzer.

5 General/Introduction

5.1. Inserting or removing media

Inserting or removing media



*1: Make sure to tilt the disc so as not to touch the sliding door.

*2: Do not push or pull the dock manually.

*3: When inserting or removing the iPod/iPhone, tilt the dock slightly by holding the corner of the dock.

- Make sure that the unit does not fall when inserting or removing media.
- Be sure to remove the iPod/iPhone from its case.

- When moving this unit, be sure to remove all media and turn this unit to standby mode.

- Insert the USB device directly into the USB port. Do not use any USB extension cable.
- To remove the USB mass storage device, select a source other than "USB".

5.2. CD, iPod/iPhone & USB playback operations

Media playback operations

The following marks indicate the availability of the feature.

CD: CD audio in CD-DA format and a CD that contains MP3 files

iPod: Compatible iPod/iPhone

USB: USB devices containing MP3 files

Preparation

- Turn the unit on.
- Insert the media.
- Press [CD], [USB] or [iPod] to select the audio source.

Basic play (CD, iPod, USB)

Play	Press [▶/].
Stop	Press [■]. USB The track is memorized and "RESUME" is displayed.
Pause	Press [▶/]. Press again to restart play.
Skip	Press [◀◀/◀◀] or [▶▶/▶▶] to skip track. CD, USB Press [▲] or [▼] to skip the MP3 album.
Search	During playback Press and hold [◀◀/◀◀] or [▶▶/▶▶]. iPod Backwards search is only within the current track.
Volume	Press [VOL -] or [VOL +] to adjust the volume.
Mute	Press [MUTE] to mute the sound.

CD, USB View contents information

Press [DISPLAY] repeatedly during play or pause.



- Maximum number of displayable characters: approx. 30
- This unit supports ver. 1.0, 1.1 and 2.3 ID3 tags. Text data that is not supported will not be displayed or shown differently.
- Album and track indication for MP3 files.



"A _ _ _": MP3 album number.

"T _ _ _": MP3 track number

- "_ _" stands for the album or track number.

iPod To navigate through the iPod/iPhone menu

- [▲, ▼]: To navigate menu items.
- [OK]: To go to the next menu.
- [iPod MENU]: To return to the previous menu.



- To view the operation, open the sliding door.
- The operation may vary among iPod/iPhone models.

Play modes (CD, USB)

Select the playback mode.

- These modes can be combined with the repeat play feature.

- 1 Press [PLAY MENU] repeatedly to select "PLAYMODE".
- 2 Press [▲, ▼] to select the following mode and press [OK].

OFF PLAYMODE	Select to cancel the play mode setting.
1-TRACK ("1, ▶" is displayed.)	Only plays the selected track. (Skip to the desired track)
1-ALBUM ("1, ■" is displayed.)	Only plays the selected MP3 album.
RANDOM ("RND" is displayed.)	Plays the contents randomly.
1-ALBUM RANDOM ("RND, ■" is displayed.)	Plays the tracks in the selected MP3 album randomly. • Press [▲] or [▼] to select the MP3 album.

- 3 Press [▶/||] to start play.



- When using iPod/iPhone, use the setting on the iPod/iPhone.
- During random play, you cannot skip to the previous track.
- The current play mode is cleared when you open the sliding door for discs.

Repeat play (CD, USB)

- 1 Press [PLAY MENU] repeatedly to select "REPEAT".
- 2 Press [▲, ▼] to select "ON REPEAT" and press [OK].
• "↺" is displayed.



- When using iPod/iPhone, use the setting on the iPod/iPhone.
- To cancel repeat play, select "OFF REPEAT" in step 2.
(The mode is also canceled when you open the sliding door for discs.)

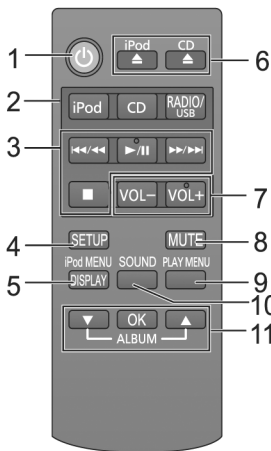
Compatibility CD, iPod/iPhone & USB

- For compatibility of CD, iPod/iPhone & USB please refer to Operating Instructions.

6 Location of Controls and Components

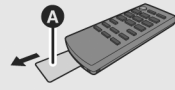
6.1. Main Unit & Remote Control Key Button Operations

Remote control




<ol style="list-style-type: none"> 1 Turn this unit on or off 2 Select the audio source 3 Basic playback control buttons 4 Enter setup menu 5 Enter the iPod/iPhone menu / Change displayed information 6 Open/close the sliding door 7 Adjust the volume 	<ol style="list-style-type: none"> 8 Mute the sound Mutes the sound. Press again to cancel. "MUTE" is also canceled when the volume is adjusted or the unit is turned off. 9 Enter playback menu 10 Enter sound menu 11 Selection/OK
--	--

■ Preparation
Remove the insulation sheet **A** before using.



■ To replace a button-type battery

- 1 While pressing the stopper **B**, pull out the battery holder.
- 2 Set the button-type battery with its (+) mark facing upward and then put the battery holder back in place.



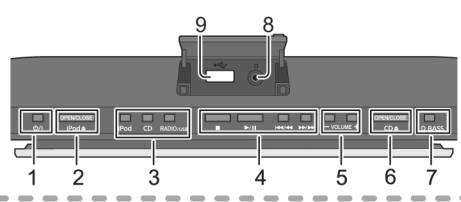
Battery type: CR2025 (Lithium battery)

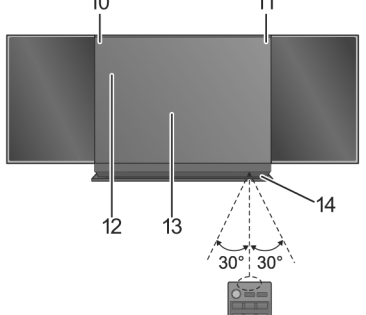
- The battery should normally last about 1 year, however this depends on how frequently the unit is used.

Keep the button-type battery out of reach of children to prevent swallowing.

Main unit

Top view

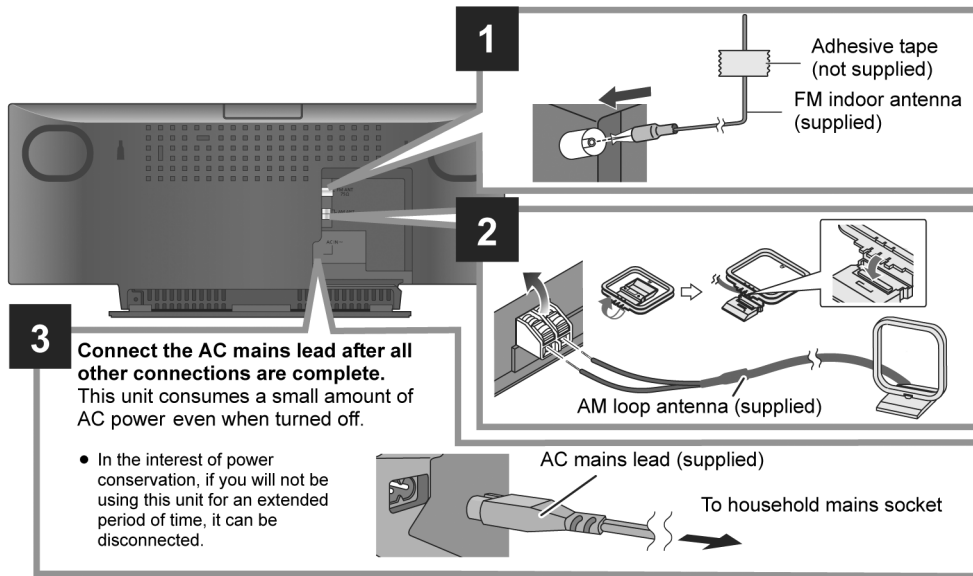




<ol style="list-style-type: none"> 1 Standby/on switch [⏻/⏻] Press to switch the unit from on to standby mode or vice versa. In standby mode, the unit is still consuming a small amount of power. 2 Open/close the sliding door (for iPod/iPhone) 3 Select the audio source 4 Basic playback control buttons 5 Adjust the volume (0(min) to 50(max)) 6 Open/close the sliding door (for discs) 7 Dynamic Bass sound effect selector 8 Headphone jack Plug type: $\varnothing 3.5$ mm stereo Recommended plug type: Straight Plug <ul style="list-style-type: none"> • Listening at full volume for long periods may damage the user's ears. • Excessive sound pressure from earphones and headphones can cause hearing loss. 9 USB port 10 Standby indicator 11 Display 12 Sliding door 13 Remote control signal sensor Distance: Within approx. 7 m directly in front. <ul style="list-style-type: none"> • To avoid interference, please do not put any objects in front of signal sensor. 	
---	--

7 Installation Instructions

7.1. Connections



8 Service Mode

This unit is equipped with features of self diagnostic & doctor mode setting for checking the functions & reliability.

8.1. Self Diagnostic Mode

Here is the procedures to enter into Self Diagnostic Mode.

Step 1 : Turn on the unit.

Step 2 : Select CD mode.

Step 3 : Press and hold [■] button for 2 seconds follow by [▶▶/▶▶!] on the unit.

Step 4 : The display show as follow.



* * * : Error code

To exit the Self Diagnostic Mode

Use either one of the following methods to cancel the Self Diagnostic Mode.

- Press the power button on the main unit or using the remote control.
- Unplug the AC cord.

8.1.1. Self Diagnostic Table

Item		FL display	Key operation
Mode name	Description		
Self Diagnostic Mode	To enter into self diagnostic checking		<p>Step 1 : Select CD mode (Ensure no disc is inserted).</p> <p>Step 2 : Press and hold [■] follow by [▶▶/▶▶!] on main unit for 2 second .</p>
Error code information	System will perform a check on any unusual/error code from the memory	<p>Example:</p>	<p>Step 1 : In self diagnostic mode, Press [STOP] on main unit.</p> <p>To exit, press [⏻] on main unit or remote control.</p>
Delete Error code	To clear the stored in memory (EEPROM IC)		<p>Step 1 : In self diagnostic mode, Press [0] on remote control.</p> <p>To exit, press [⏻] on main unit or remote control.</p>

8.2. Self Diagnostic Function Error Code

8.2.1. CD Mechanism Error Code Table

Error Code	Diagnostic Contents	Description of error	Automatic FL Display	Remarks
CD H15	CD Open Abnormal	During operation POS_SW_R On fail to be detected within 4 sec. Error No. shall be clear by force or during cold start.		Press [■] on main unit for next error.
CD H16	CD Closing Abnormal	During operation POS_SW_CEN On fail to be detected within 4 sec. Error No. shall be clear by force or during cold start.		Press [■] on main unit for next error.
F26	Communication between CD servo LSI and micro-p abnormal.	During switch to CD function, if SENSE = "L" within failsafe time of 20ms.		Press [■] on main unit for next error.

8.2.2. Power Amp Error Code Table

Error Code	Diagnostic Contents	Description of error	Automatic FL Display	Remarks
F61/F76	Power Amp IC output abnormal	During power-on, PDET1, PDET2 & MAINV_DET / TEMP_DET is "L" after 1 sec.		Press [■] on main unit for next error.
SMPS NG	Checking SMPS Type	SMPS type and REGION not match. The unit will shutdown.		Press [■] on main unit for next error.

8.2.3. iPod Error Code Table

Error Code	Diagnostic Contents	Description of error	Automatic FL Display	Remarks
IPD H15	iPod Open Abnormal	During operation POS_SW_L On fail to be detected within 3 sec. Error No. shall be clear by force or during cold start.		Press [■] on main unit for next error.
IPD H16	iPod Closing Abnormal	During operation POS_SW_CEN On fail to be detected within 3 sec. Error No. shall be clear by force or during cold start.		Press [■] on main unit for next error.

8.2.4. Sliding Door Operation Error Code Table

Error Code	Diagnostic Contents	Description of error	Automatic FL Display	Remarks
ILLEGAL OPEN	Sliding Door Open/Close Abnormal Refer to 8.4 for more information	During Operation 1. Motor set to FREE RUN condition after 2 retry fail to detect any POS_SW. 2. Sliding Door Stop from neutral to iPod open and position sensor could not be detected.		Press [■] on main unit for next error.

8.3. Doctor Mode Table

Note : To enter the Doctor Mode, please use HC35 remote control.

Here is the procedures to enter into Doctor Mode.

Step 1 : Turn on the unit.

Step 2 : Select CD mode.

Step 3 : Pressing and hold [■] on main unit then press [4] follow by [7] using the remote control.

Step 4 : The display show as follow.



To exit the Doctor mode





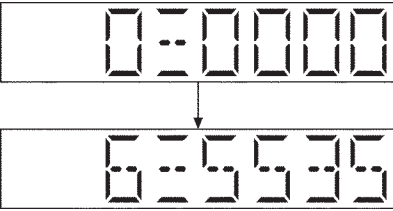
Use either one of the following methods to cancel the Doctor mode.

- Press the power button of the unit or using the remote control.
- Unplug the AC cord.










8.3.1. Doctor Mode Table 1

Item		FL Display	Key Operation
Mode Name	Description		Front Key
Doctor Mode	<p>To enter into Doctor Mode for checking of various items and displaying EEPROM and firmware version.</p> <p>Note: The micro-processor version as shown is an example. It will be revise when there is an updates.</p> <p>FL Display sequence Display 1 → 2</p>	<p>(Display 1)</p> <p>Version Display (DEC) Check sum (HEX)</p> <p>Checksum : (Condition 1)</p> <p>No Rom correction</p> <p>(Display 2)</p> <p>The Checksum of EEPROM and firmware version will be display for 2 sec.</p>	<p>In any mode: Press [■] button on main unit follow by [4] & then [7] on the remote control of HC35.</p> <p>To exit Doctor Mode, press [⏻] button on main unit or on the remote control of HC35.</p>







8.3.2. Doctor Mode Table 2

Item		FL Display	Key Operation
Mode Name	Description		Front Key
FL Display Test	To check the FL segments display (All segments will light up)		In Doctor Mode: Press [1] button on the remote control of HC35. To cancel, press [0] button on remote control. It returns Doctor Mode. To exit Doctor Mode, press [⏪/1] button on main unit or on the remote control of HC35.
Volume Setting	To check for preset volume setting Note : In tuner mode this function is not possible		In Doctor Mode: Press [7] button on the remote control of HC35. To cancel, press [0] button on remote control. It returns Doctor Mode. To exit Doctor Mode, press [⏪/1] button on main unit or on the remote control of HC35.
			In Doctor Mode: Press [8] button on the remote control of HC35. To cancel, press [0] button on remote control. It returns Doctor Mode. To exit Doctor Mode, press [⏪/1] button on main unit or on the remote control of HC35.
			In Doctor Mode: Press [9] button on the remote control of HC35. To cancel, press [0] button on remote control. It returns Doctor Mode. To exit Doctor Mode, press [⏪/1] button on main unit or on the remote control of HC35.
Mecha Sliding Panel Reliability	To check the operation of sliding Panel. Sequence as follow : 1. CD Door set to CLOSE position. 2. CD Door move to the left (CD Open direction) and stop at LEFT position for 1 sec. 3. CD Door move to the right (CD Close direction) and stop at CLOSE position for 1 sec. 4. All the process above is considered as 1 cycle. Step (2) ~ (3) will repeat; Cycle Counter display increase every 1 cycle completed. Refer to 8.3.5 for more information		In Doctor Mode: Press [≥10] follow by [2] & then [1] button on the remote control of HC35. To cancel, press [0] button on remote control. It returns Doctor Mode. To exit Doctor Mode, press [⏪/1] button on main unit or on the remote control of HC35.

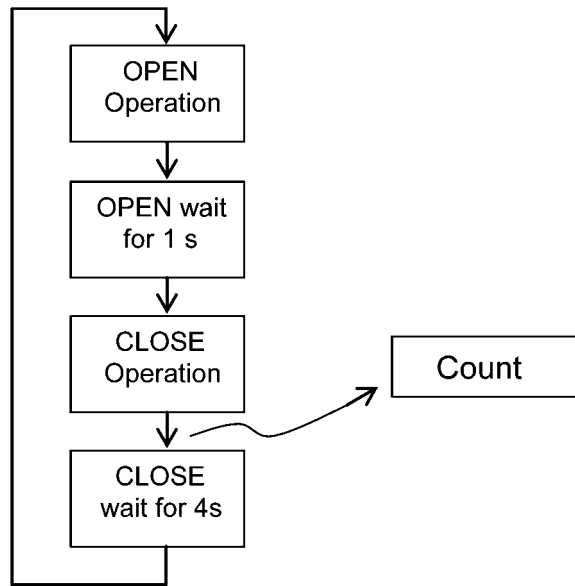
8.3.3. Doctor Mode Table 3

Item		FL Display	Key Operation Front Key
Mode Name	Description		
CD Traverse Test Mode	To check for the traverse unit operation. In this mode, the first & last track is access & read. (TOC). It fails when TOC is not completed by 10s or the traverse is out of focus. for more than 2s Refer to 8.3.6 for more information	 <p>The counter will increment by 1 until reach 99999999</p> 	In Doctor Mode: Press [≥ 10] follow by [1] & then [2] button on the remote control of HC35. To cancel, press [0] button on remote control. It returns Doctor Mode. To exit Doctor Mode, press [⏏] button on main unit or on the remote control of HC35.
CD Self-Adjustment Display	To display result of self adjustment for CD.	 <p>The [NO DISC] display will appear after 3s,</p> 	In Doctor Mode: Press [≥ 10] follow by [1] & then [4] button on the remote control of HC35. To cancel, press [0] button on remote control. It returns Doctor Mode. To exit Doctor Mode, press [⏏] button on main unit or on the remote control of HC35.
CD Combination Test	To check the open/close operation & inner outer disc access operation. 1. It fails when CD open/close is not completed by 4s. 2. The disc access fails in 10s. 3. The traverse is out of focus for more than 2s. Refer to 8.3.7 for more information		In Doctor Mode: Press [≥ 10] follow by [1] & then [5] button on the remote control of HC35. To cancel, press [0] button on remote control. It returns Doctor Mode. To exit Doctor Mode, press [⏏] button on main unit or on the remote control of HC35.
Cold Start	To activate cold start upon next power up. (Backup data are initialized)	 <p>The [NO DISC] display will appear after 2s,</p> 	In Doctor Mode: Press [SLEEP] button on remote control. To cancel, press [0] button on remote control. It returns Doctor Mode. To exit Doctor Mode, press [⏏] button on main unit or on the remote control of HC35.
EEPROM Checksum	To check sum of EEPROM for a simplifield ROM correction. 1. When EEPROM is not detected, the only micro-p's version shall be displayed without an EEPROM's check sum	 <p>Version Display (DEC) Check sum (HEX)</p> <p>EEPROM not detected only firmware is display</p> 	In any mode: Press [\blacksquare] button on main unit follow by [4] & then [7] on the remote control of HC35. To cancel, press [0] button on remote control. It returns Doctor Mode. To exit Doctor Mode, press [⏏] button on main unit or on the remote control of HC35.

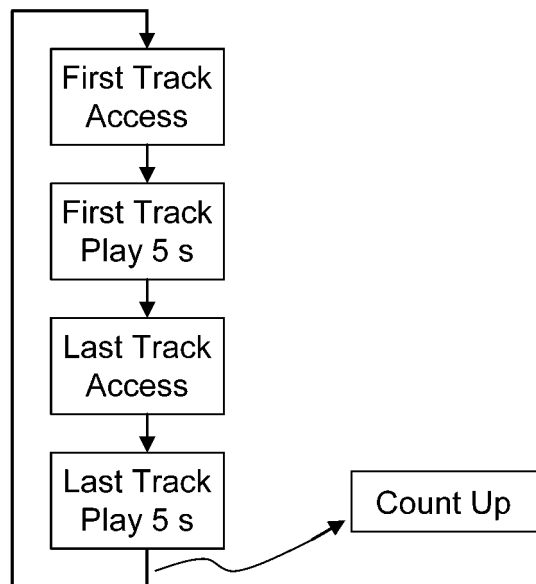
8.3.4. Doctor Mode Table 4

Item		FL Display	Key Operation
Mode Name	Description		Front Key
Region Checking	To check Region setting of unit. Refer to 8.3.8 for the Region Setting destination	 <p style="text-align: center;">Region Setting destination</p>	<p>In Doctor Mode: Press [≥ 10] follow by [1] & then [6] button on the remote control of HC35. To cancel, press [0] button on remote control. It returns Doctor Mode. To exit Doctor Mode, press [$\phi/\mathbb{1}$] button on main unit or on the remote control of HC35.</p>
CD LSI 947 Version Check	To check CD LSI Version No. & checksum correction	 <p style="text-align: center;">Year of sales ROM type Running version number</p> <p style="text-align: center;">The display will appear after 2s,</p>  <p style="text-align: center;">Check sum display (HEX)</p> <p style="text-align: center;">The [NO DISC] display will appear after 2s,</p> 	<p>In Doctor Mode: Press [4] button on the remote control of HC35. To cancel, press [0] button on remote control. It returns Doctor Mode. To exit Doctor Mode, press [$\phi/\mathbb{1}$] button on main unit or on the remote control of HC35.</p>
Yamaha DSP Version Check	To check DSP Firmware mode & Version No.	 <p style="text-align: center;">Firmware Version No (00~FF) Firmware Mode (00~FF)</p>	<p>In Doctor Mode: Press [6] button on the remote control of HC35. To cancel, press [0] button on remote control. It returns Doctor Mode. To exit Doctor Mode, press [$\phi/\mathbb{1}$] button on main unit or on the remote control of HC35.</p>
Model setting	To check Model Setting. Refer to 8.3.9 for the Model Setting	 <p style="text-align: center;">Model Setting</p>	<p>In Doctor Mode: Press [≥ 10] follow by [1] & then [8] button on the remote control of HC35. To cancel, press [0] button on remote control. It returns Doctor Mode. To exit Doctor Mode, press [$\phi/\mathbb{1}$] button on main unit or on the remote control of HC35.</p>

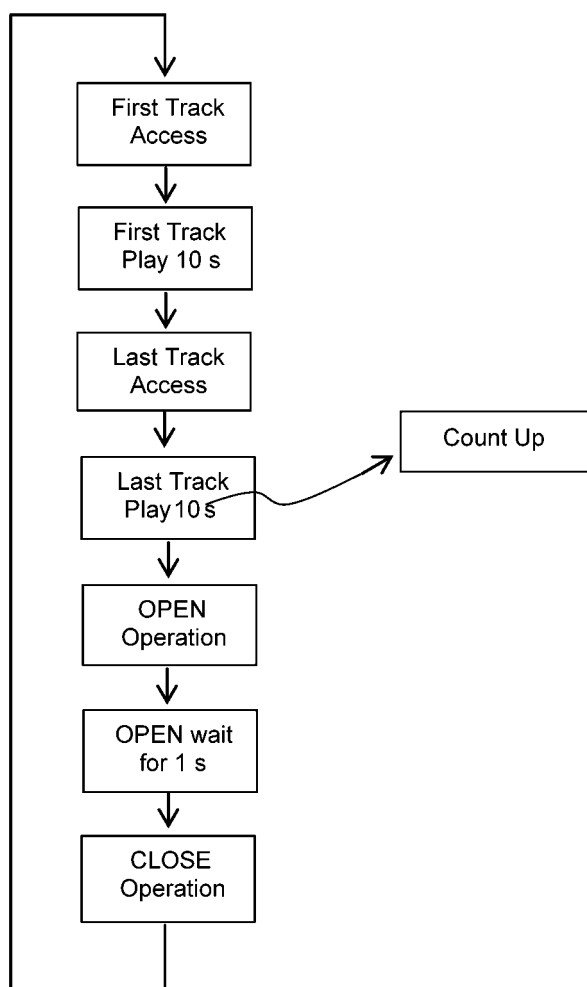
8.3.5. Mecha Sliding Panel Reliability



8.3.6. CD Traverse Test (For CD)



8.3.7. CD Combination Test (For CD)



8.3.8. Region Check Table (For Tuner)

Region	Model	Series	Country
1	HC37	P/PC	North America
2 (D)	HC37	Japan	Japan
3	HC37	EE	E. Europe
4	HC37	EB/EG/EF/EC	UK, Germany, France
5	HC37	DBEB	UK
6	HC37	GT/GK/GS/PU	S.E. Asia
7	HC37	GN	Oceania

8.3.9. Model setting

Region No.	Function		Model
	With iPod	With Shock Proof	
S0	O	O	HC37

8.3.10. SMPS Region Table

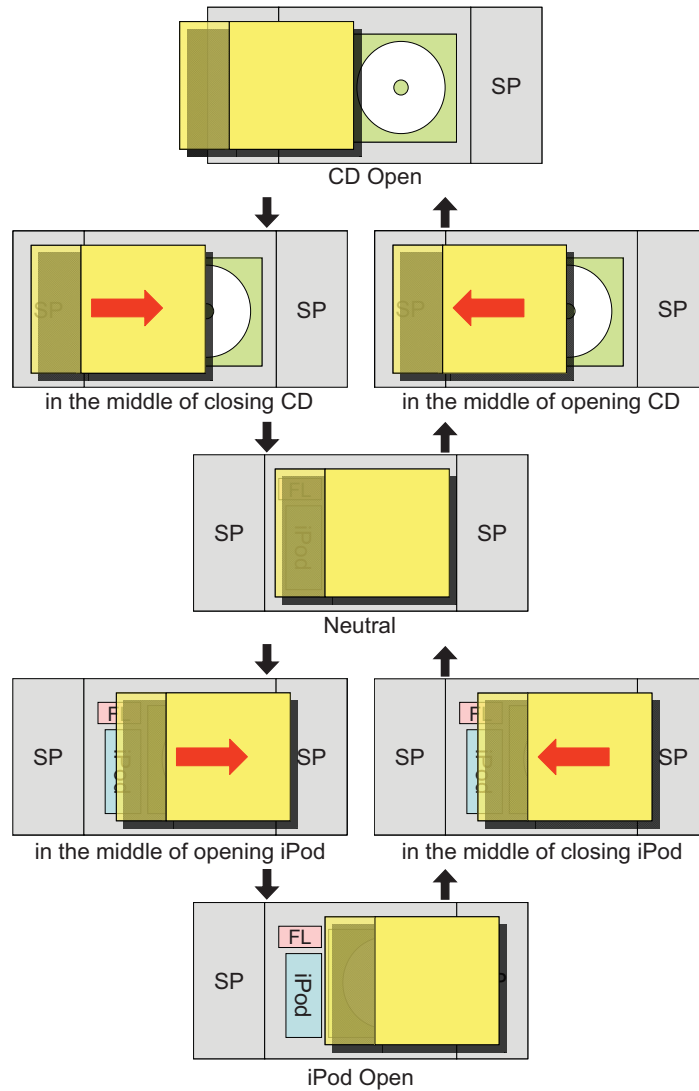
SMPS Block No.	Main P.C.B. Series
A	Japan
B	P/PC
C	Others

Note : Please refer to Section 15 (Printed Circuit Board Diagrams) for the SMPS P.C.B and Main P.C.B part number.

8.4. Sliding Door Operation

8.4.1. Basic Operation

1. The sliding open and close operation of the electric panel is done with [CD OPEN/CLOSE] key & [iPod OPEN/CLOSE] key on the main set or remote control.
2. The [CD OPEN/CLOSE] key & [iPod OPEN/CLOSE] key valid during standby condition.
3. When in iPod OPEN condition, the door does not move by pressing [CD OPEN/CLOSE] key.
Note : Same behaviors during closing/opening.
4. When in CD OPEN condition, the door does not move by pressing [iPod OPEN/CLOSE] key.
Note : Same behaviors during closing/opening.
5. During playback CD, open the door after stopping playback
6. If the door is pushed in the direction from CD open to neutral, the door is closed. It is equivalent to pressing [CD OPEN/CLOSE] key.
7. CD/iPod [OPEN/CLOSE] key is detected based on trigger up (key release) timing.



9 Service Fixture & Tools

Prepare service tools before process service position.

Ref. No.	Service Tools		Remarks
SFT1	Main P.C.B. (CN6006) - CD Servo P.C.B. (CN7002)	REE1712 (30P FFC)	
SFT2	Main P.C.B. (CN1100) - SMPS P.C.B. (P1700)	REX1538 (7P Wire)	

10 Disassembly and Assembly Instructions

Caution Note:

- This section describes the disassembly and/or assembly procedures for all major printed circuit boards & main components for the unit. (You may refer to the section of “Main components and P.C.B Locations” as described in the service manual)
- Before carrying out the disassembly process, please ensure all the safety precautions & procedures are followed.
- During the disassembly and/or assembly process, please handle with care as there may be chassis components with sharp edges.
- Avoid touching heatsinks due to its high temperature after prolong use. (See caution as described below)

**CAUTION: HOT!!
PLEASE DO NOT
TOUCH THE HEAT SINK**

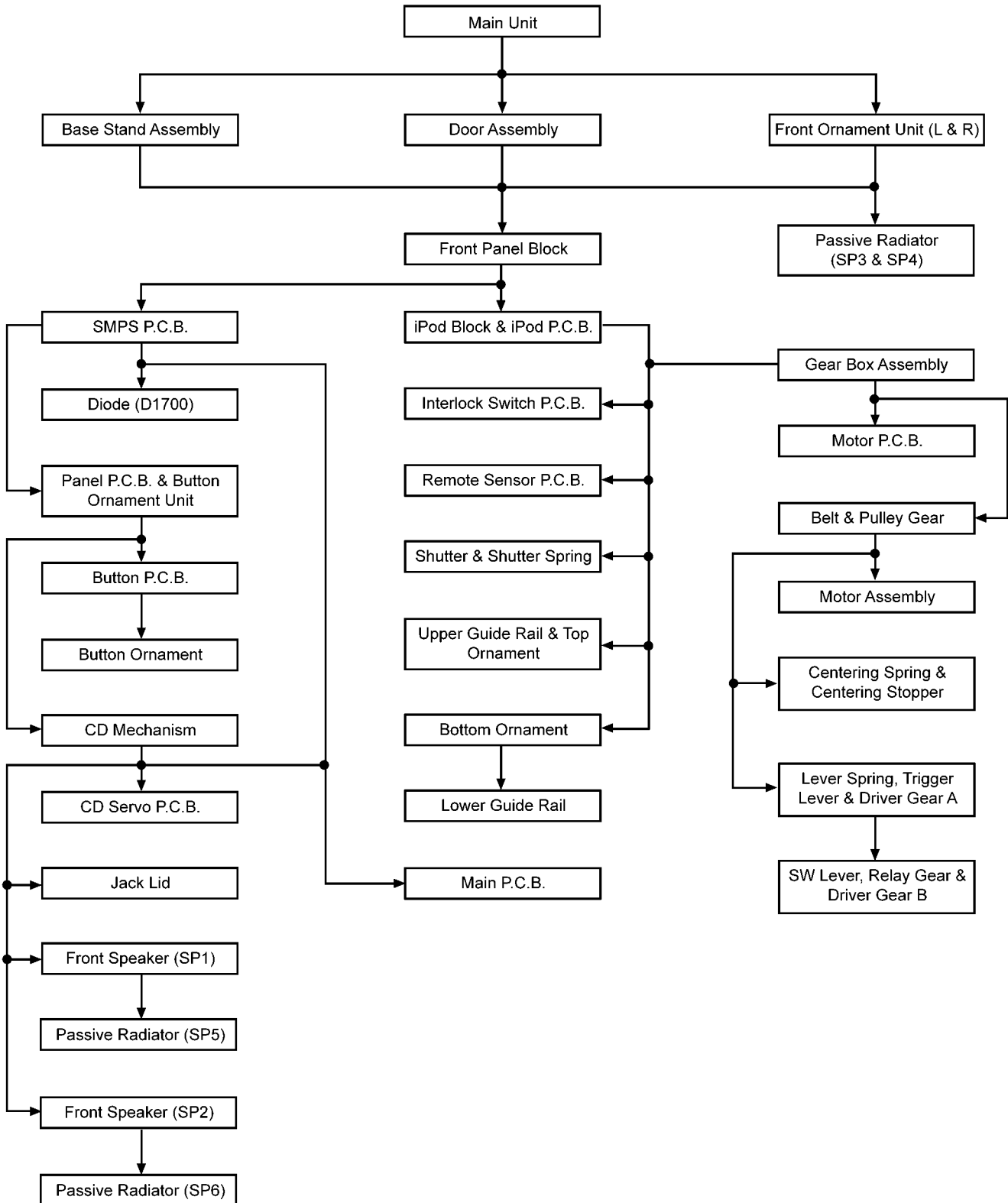
- During disassembly and assembly, please ensure proper service tools, equipments or jigs is being used.
- During replacement of component parts, please refer to the section of “Replacement Parts List” as described in the service manual.
- Select items from the following indexes when disassembly or replacement are required.

- Disassembly of Base Stand Assembly
- Replacement of Door Assembly
- Replacement of Front Ornament Unit (L) & (R)
- Disassembly of Front Panel Block
- Replacement of iPod Block
- Disassembly of Interlock Switch P.C.B.
- Disassembly of Remote Sensor P.C.B.
- Replacement of Gear Box Assembly
- Disassembly of Motor P.C.B.
- Disassembly of Belt & Pulley Gear
- Disassembly of Motor Assembly
- Disassembly of Centering Spring & Centering Stopper
- Disassembly of Lever Spring, Trigger Lever & Driver Gear A
- Disassembly of SW Lever, Relay Gear & Driver Gear B
- Disassembly of Shutter & Shutter Spring
- Disassembly of Upper Guide Rail & Top Ornament
- Disassembly of Bottom Ornament
- Disassembly of Lower Guide Rail
- Disassembly of SMPS P.C.B.
- Replacement of Diode (D1700)
- Disassembly of Panel P.C.B. & Button Ornament Unit
- Disassembly of Button P.C.B.
- Disassembly of Button Ornament
- Disassembly of CD Mechanism
- Disassembly of CD Servo P.C.B.
- Disassembly of Jack Lid
- Disassembly of Main P.C.B.
- Disassembly of Passive Radiator (SP3 & SP4)
- Disassembly of Front Speaker (SP1)
- Disassembly of Front Speaker (SP2)
- Disassembly of Passive Radiator (SP5)
- Disassembly of Passive Radiator (SP6)

10.1. Disassembly flow chart

The following chart is the procedure for disassembling the casing and inside parts for internal inspection when carrying out the servicing.

To assemble the unit, reverse the steps shown in the chart below.



10.2. Types of Screws

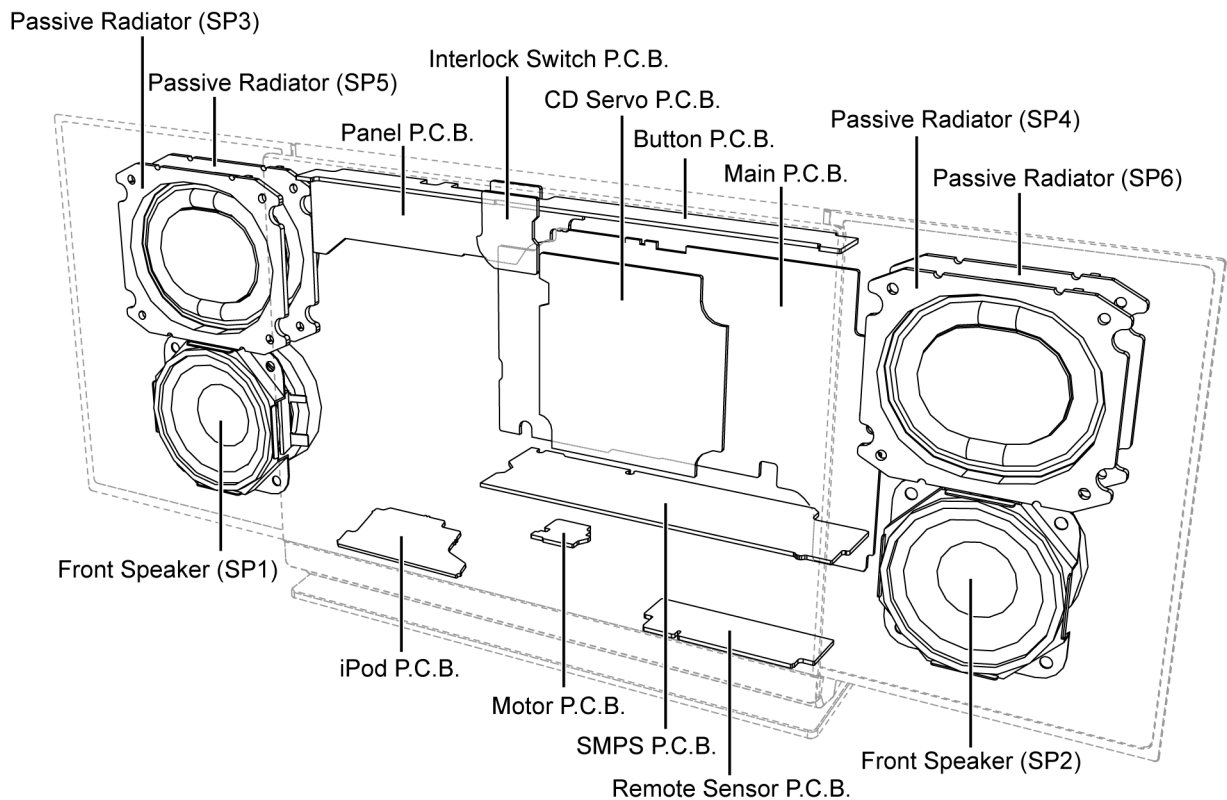
CAUTION NOTE:

Please use original screw and at correct locations.

Below shown is part no. of different screw types used:

- | | | |
|-----------------------|------------------------|---------------------|
| a : RHD26046-K | e : RHD26043-1 | i : RHD20089 |
| b : VHD1224-1A | f : RHD30092-1 | |
| c : RHD26046 | g : XTB3+8JFJ-J | |
| d : RHD14136 | h : XTN2+6GFJ | |

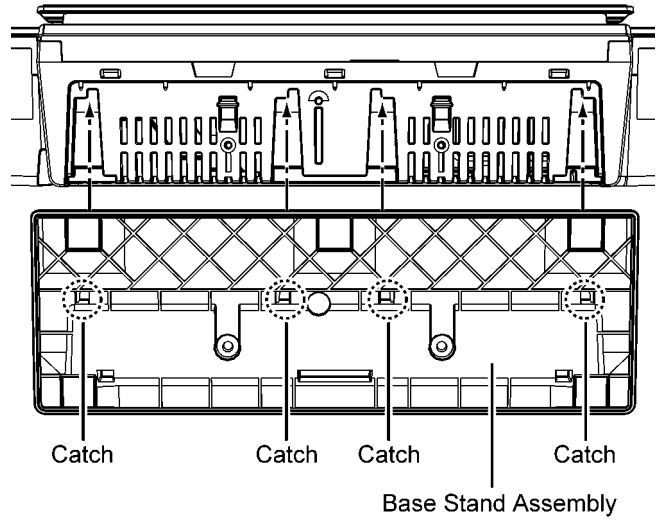
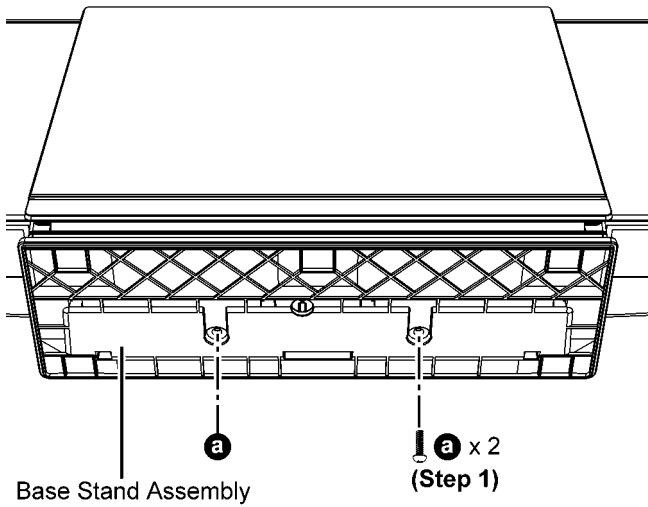
10.3. Main Parts Location Diagram



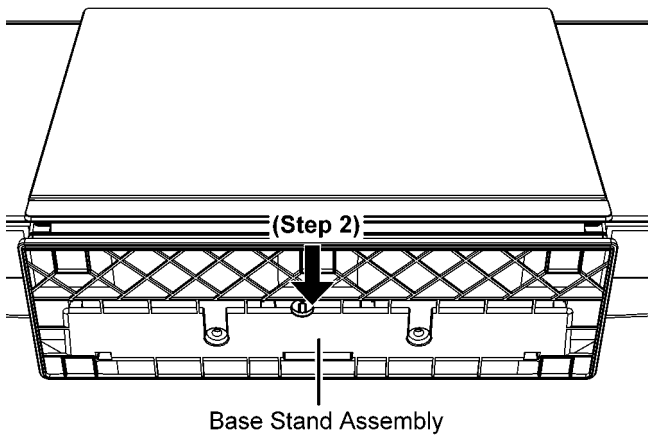
10.4. Disassembly of Base Stand Assembly

Caution : During assembling, ensure a “tack” Sound is heard when the base Stand Assembly is fully catch onto the rear Cabinet.

Step 1 : Remove 2 screws.



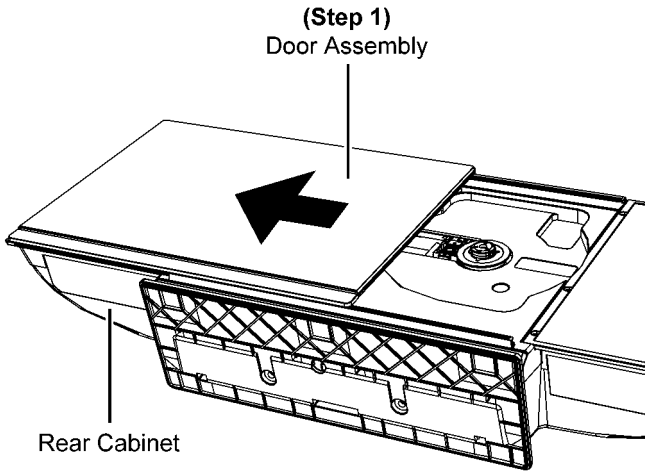
Step 2 : Remove the Base Stand Assembly.



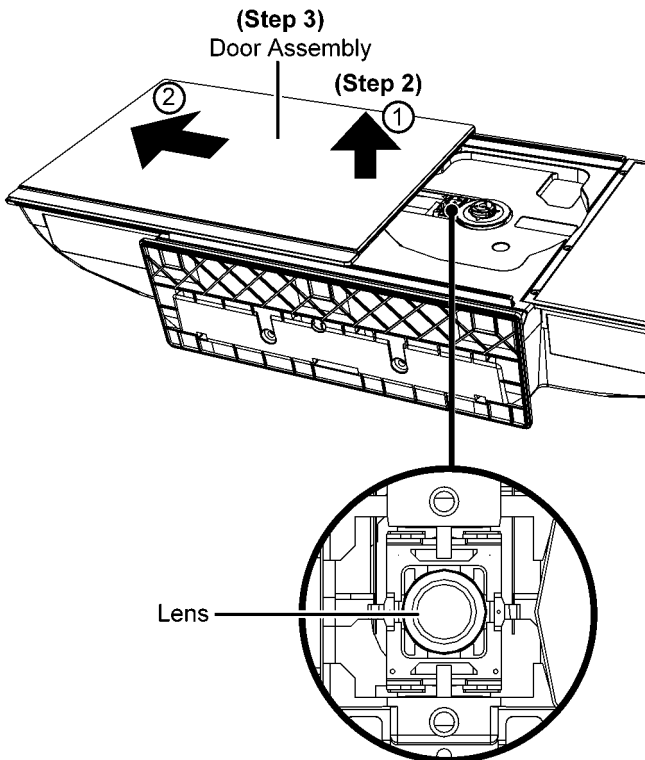
10.5. Replacement of Door Assembly

10.5.1. Disassembly of Door Assembly

Step 1 : Gently push the Door Assembly until it is fully open.
Caution : Do not use strong force during pushing of the Door Assembly.

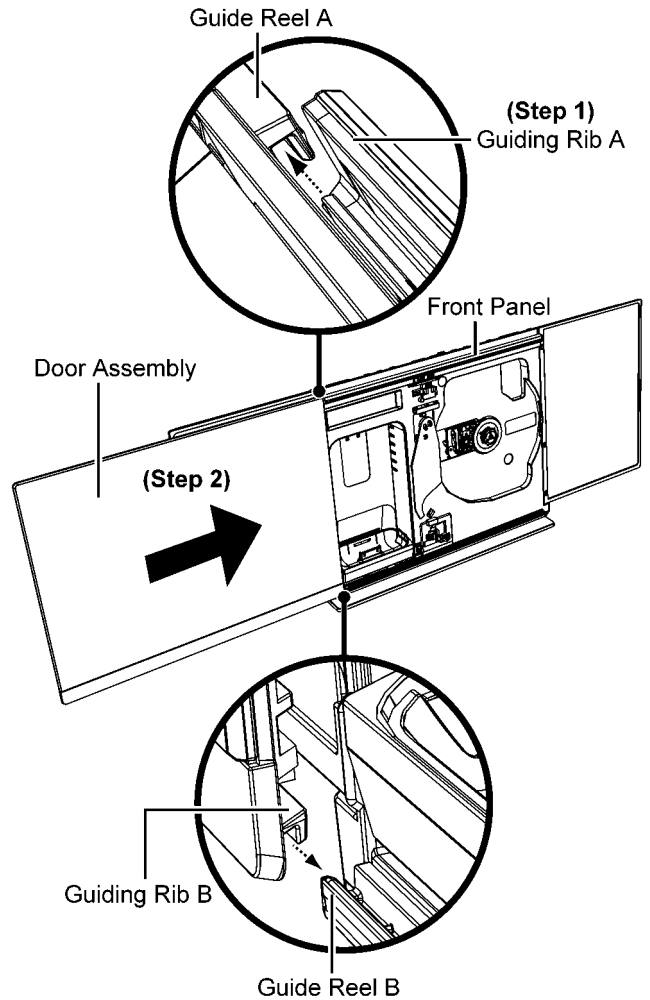


Step 2 : Lift up the Door Assembly as arrow shown in order of sequences (1) to (2).
Step 3 : Gently push the Door Assembly until it is fully remove.
Caution : During disassembling of the Door Assembly, avoid touching the surface of the OPU lens.



10.5.2. Assembly of Door Assembly

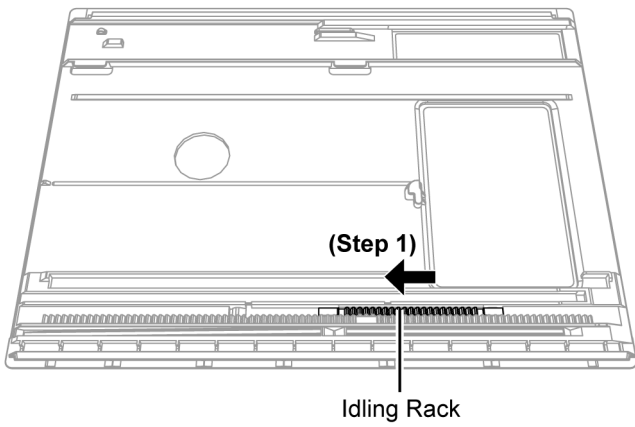
Step 1 : Align the Door Assembly (Guiding Rib A) with the front panel (Guide Reel A) and Door Assembly (Guiding Rib B) with the front panel (Guide Reel B).
Step 2 : Gently slide the Door Assembly until it is fully closed.
Caution : Avoid using strong force, ensure the Door Assembly move smoothly. Remove the Door Assembly & repeat step 1 & step 2 when it stop.



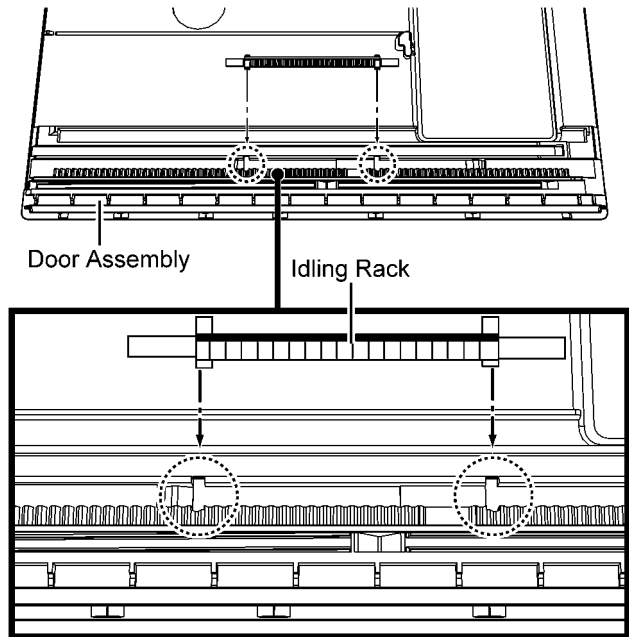
10.5.3. Disassembly of Idling Rack

- Refer to “Disassembly of Door Assembly”

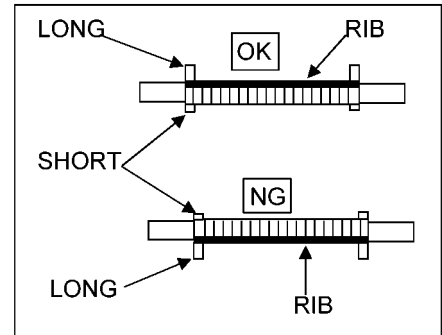
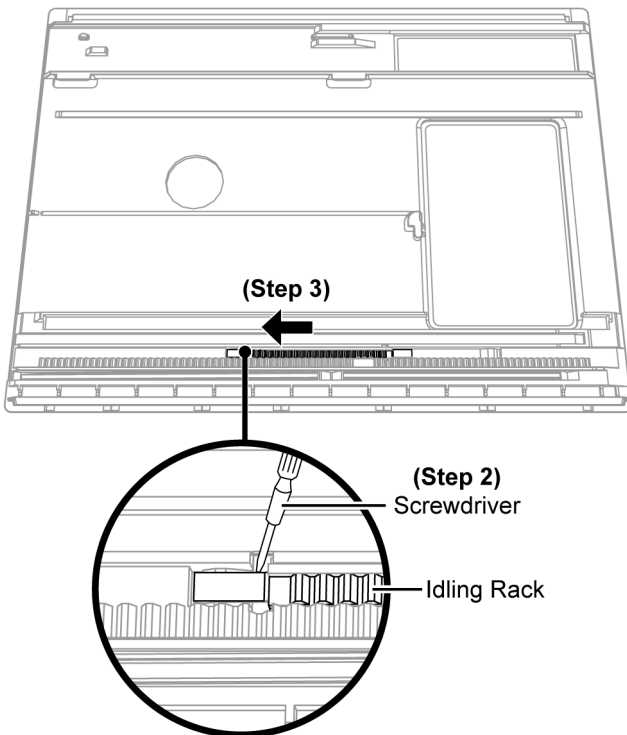
Step 1 : Slide the Idling Rack until it come to a stop.



Caution : During assembling, insert the Idling Rack & ensure it is fully caught to the Door Assembly.



Step 2 : Gently using a Screwdriver to lift up the Idling Rack.
Step 3 : Remove the Idling Rack as arrow shown.



10.6. Replacement of Front Ornament Unit (L) & (R)

Note : Front Ornament Unit (L) & (R) have the same mechanical structure. For disassembling/assembly of Front Ornament Unit (R), repeat the (Step 1) to (Step 3) of 10.6.1./10.6.2.

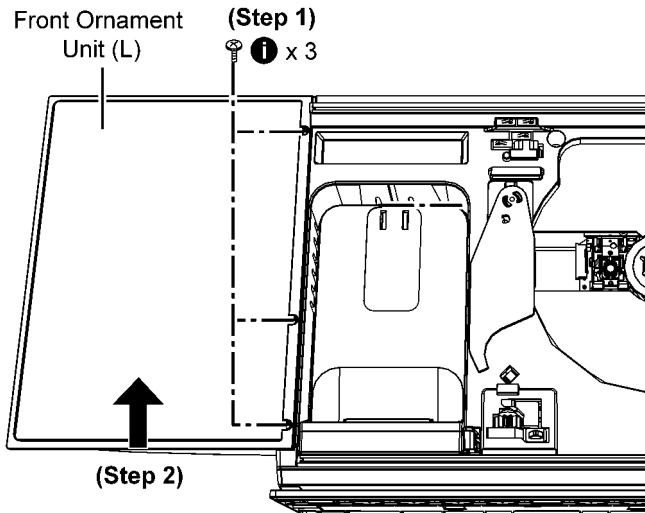
Below illustrated Front Ornament Unit (L)

- Refer to "Disassembly of Door Assembly"

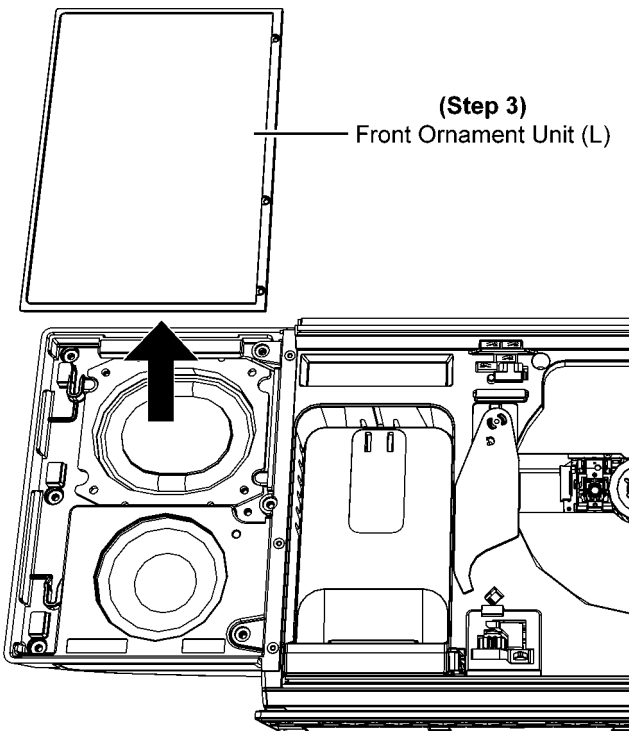
10.6.1. Disassembly of Front Ornament Unit (L)

Step 1 : Remove 3 screws.

Step 2 : Push the Front Ornament Unit (L) upwards.



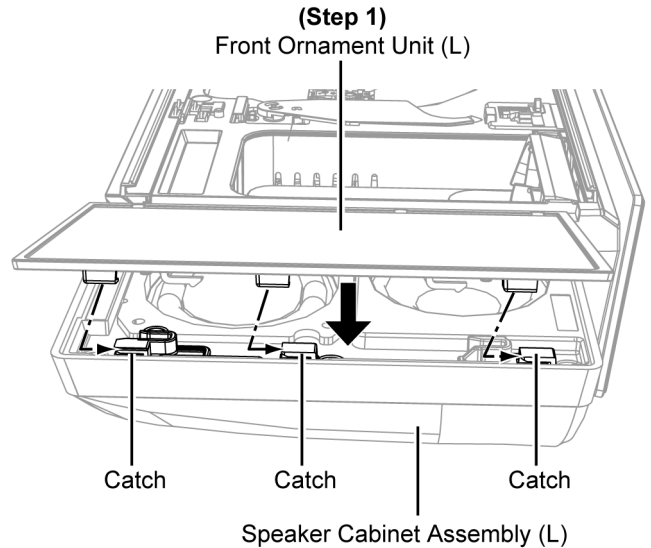
Step 3 : Remove the Front Ornament Unit (L).



10.6.2. Assembly of Front Ornament Unit (L)

Step 1 : Place the Front Ornament Unit (L) into the Speaker Cabinet Assembly (L).

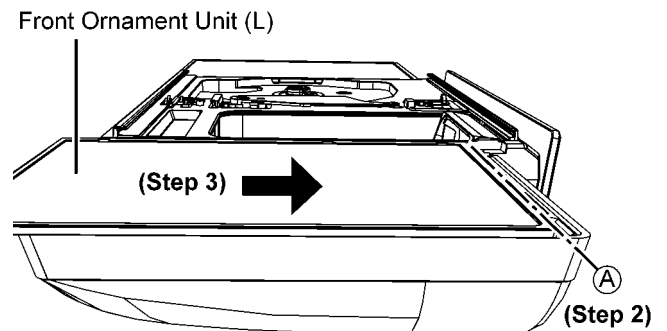
Caution : During assembling, ensure the Front Ornament Unit (L) is fully caught and inserted into the Speaker Cabinet Assembly (L).



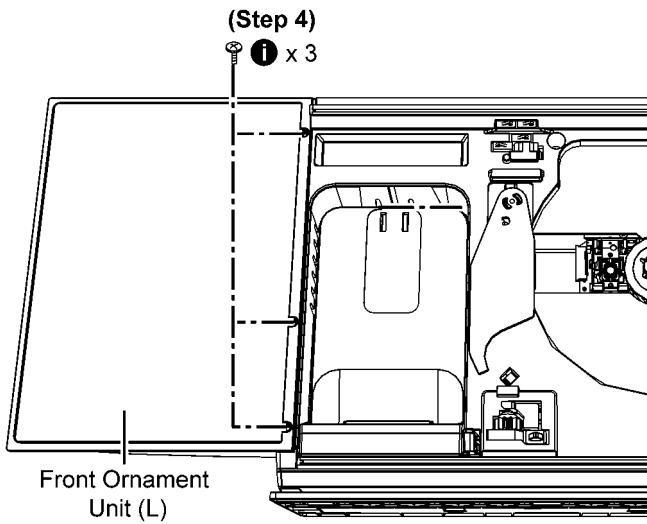
Step 2 : Align the Front Ornament Unit (L) into the Front Speaker Assembly (L) with the bottom end positioned at the dotted line.

Step 3 : Push down Front Ornament Unit (L) to fix it.

Caution : Ensure a "click" sound is heard when the Front Ornament Unit (L) is fully caught.



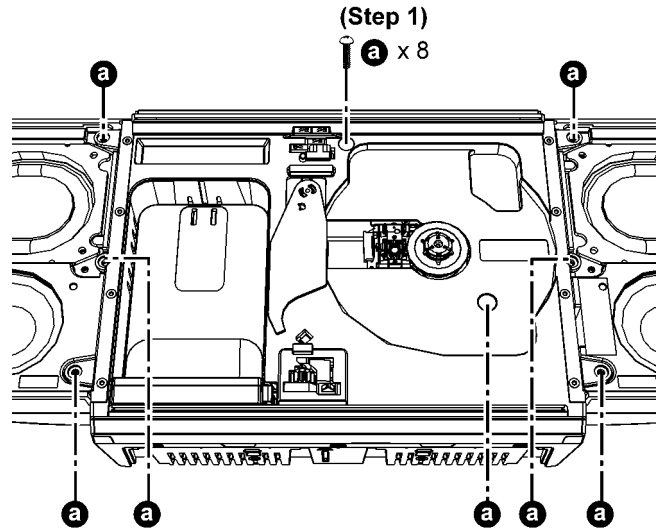
Step 4 : Fix 3 screws.



10.7. Disassembly of Front Panel Block

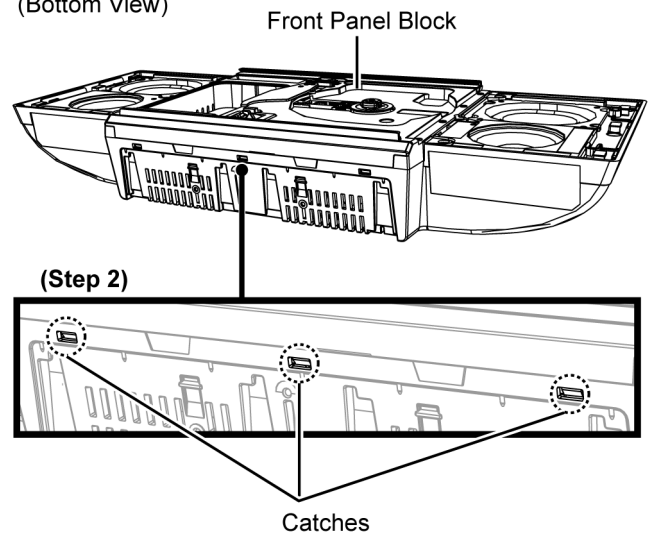
- Refer to “Disassembly of Base Stand Assembly”
- Refer to “Disassembly of Door Assembly”
- Refer to “Disassembly of Front Ornament Unit”

Step 1 : Remove 8 screws.

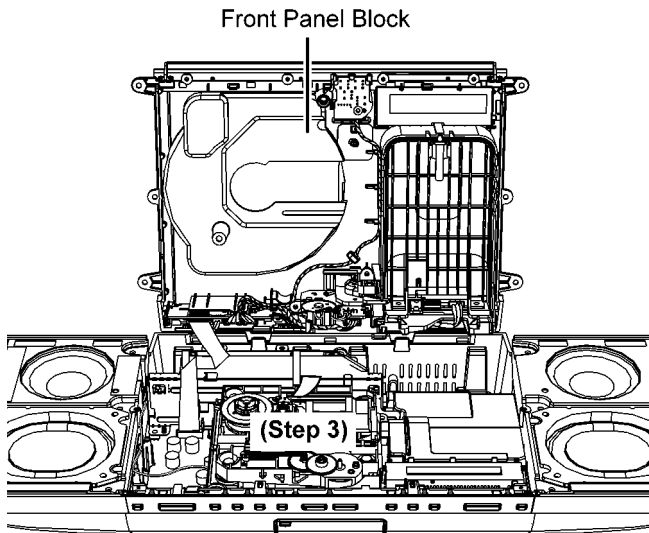


Step 2 : Release 3 catches on the Front Panel Block.

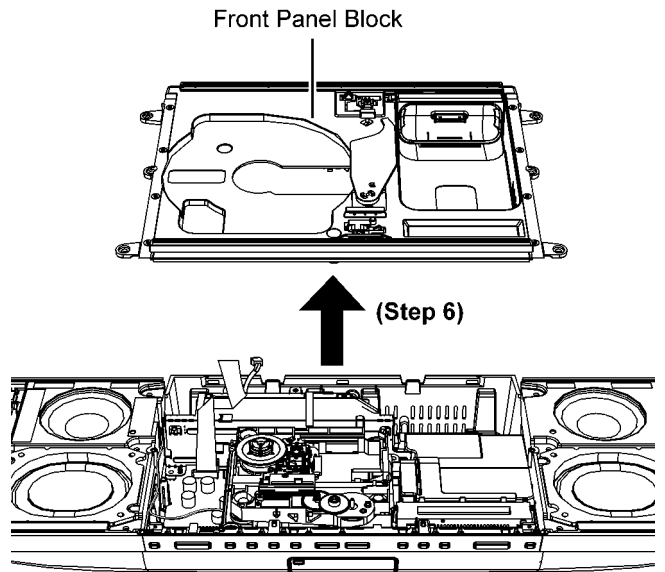
(Bottom View)



Step 3 : Slightly lift up the Front Panel Block.

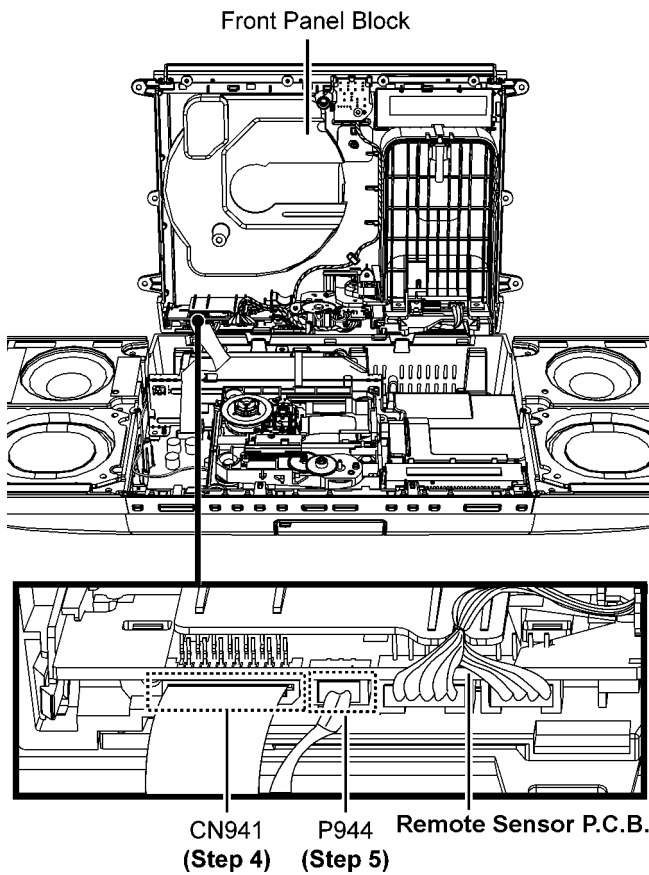


Step 6 : Remove the Front Panel Block.



Step 4 : Detach 14P FFC at the connector (CN941) on the Remote Sensor P.C.B..

Step 5 : Detach 5P wire at the connector (P944) on the Remote Sensor P.C.B..

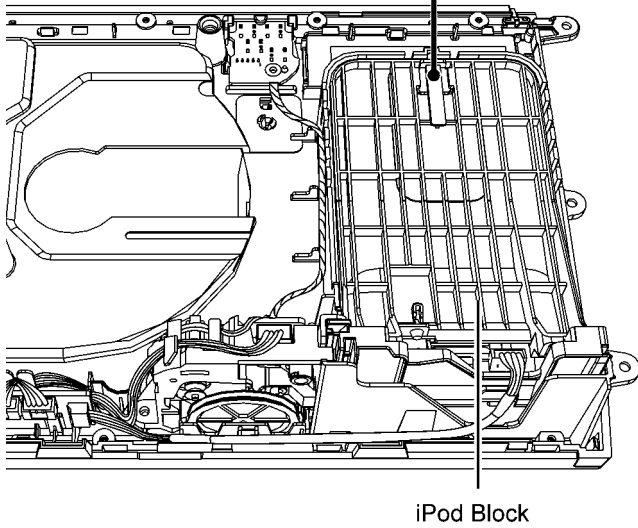
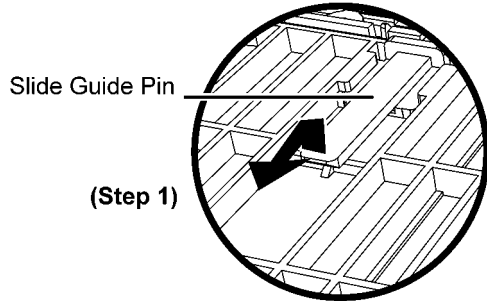


10.8. Replacement of iPod Block

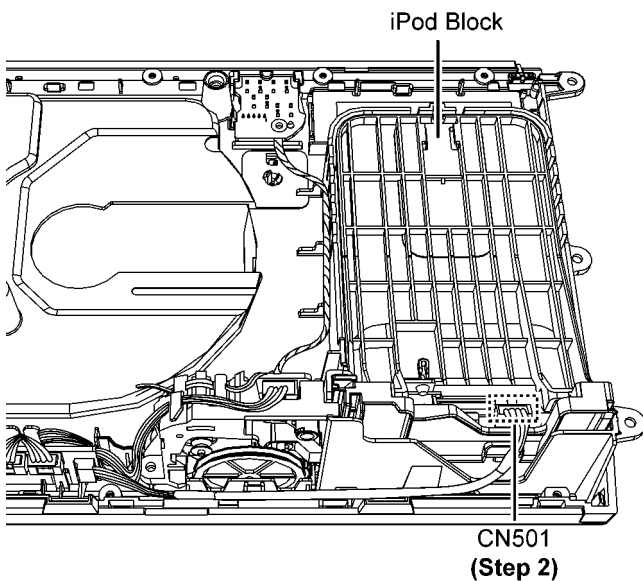
- Refer to “Disassembly of Base Stand Assembly”
- Refer to “Disassembly of Door Assembly”
- Refer to “Disassembly of Front Ornament Unit”
- Refer to “Disassembly of Front Panel Block”

10.8.1. Disassembly of iPod Block

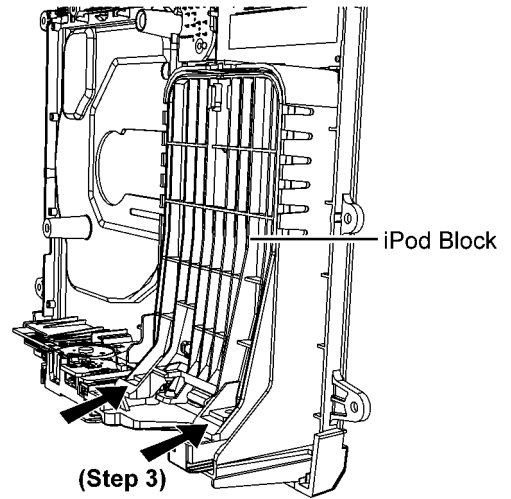
Step 1 : Slightly lift up & remove the Slide Guide Pin as shown.



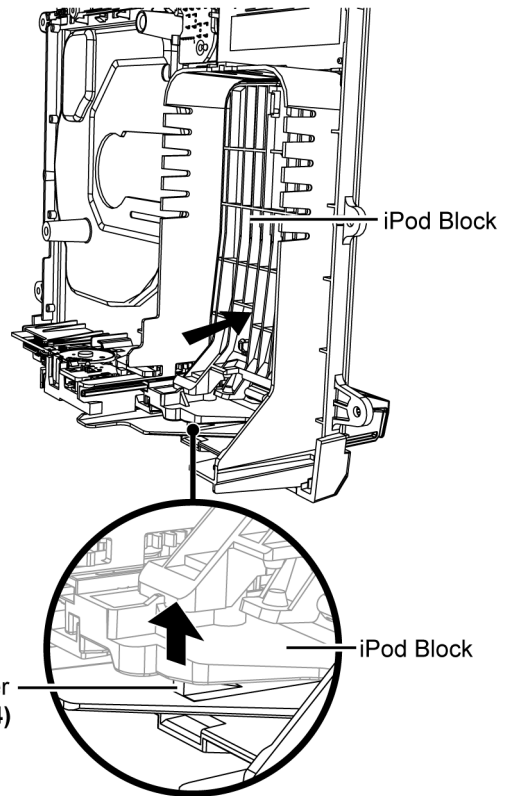
Step 2 : Detach 5P wire at the connector (CN501) on the iPod P.C.B..



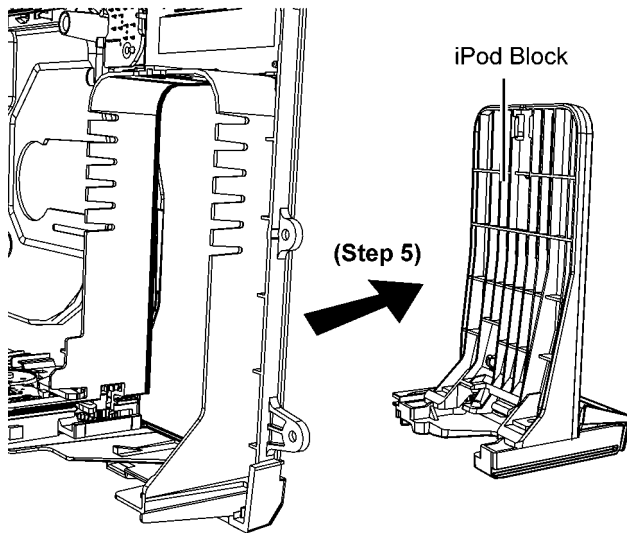
Step 3 : Push the iPod Block forward until it come to a stop.



Step 4 : Slightly lift up the iPod Block from Stopper area as shown and push forward again.



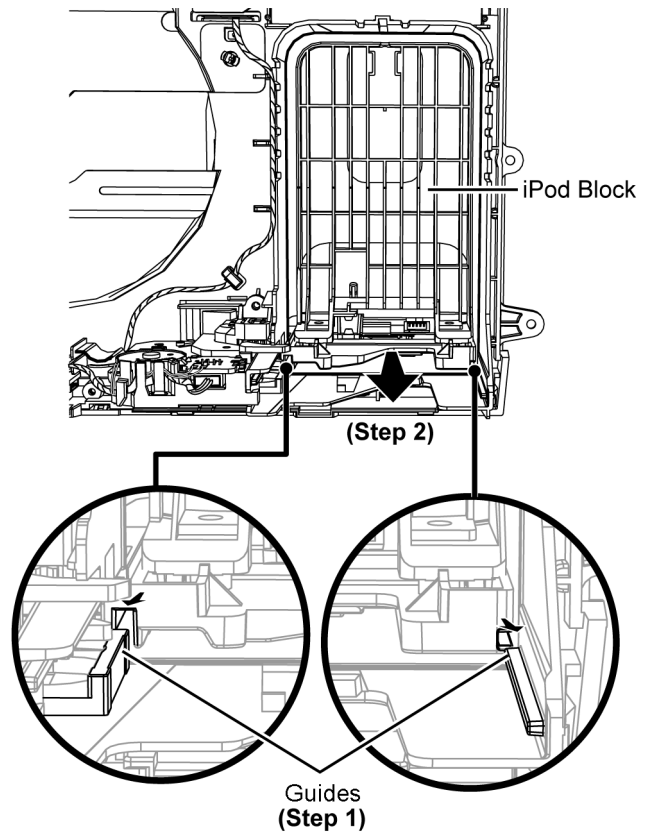
Step 5 : Remove the iPod Block.



10.8.2. Assembly of iPod Block

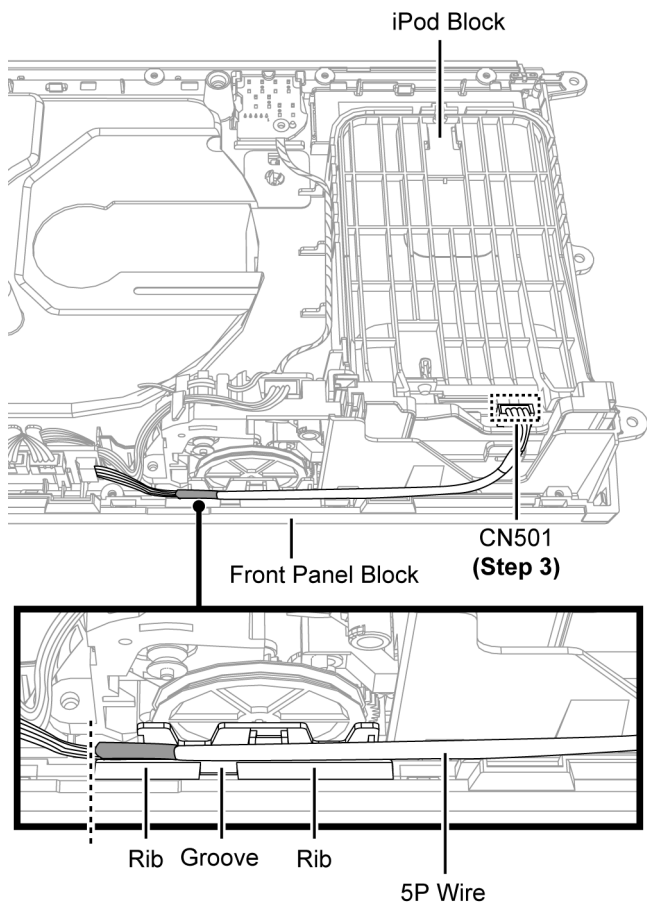
Step 1 : Insert the iPod Block from the front of Front Panel Assembly into the Guide as shown.

Step 2 : Gently push in the iPod Block until it is fully fixed.

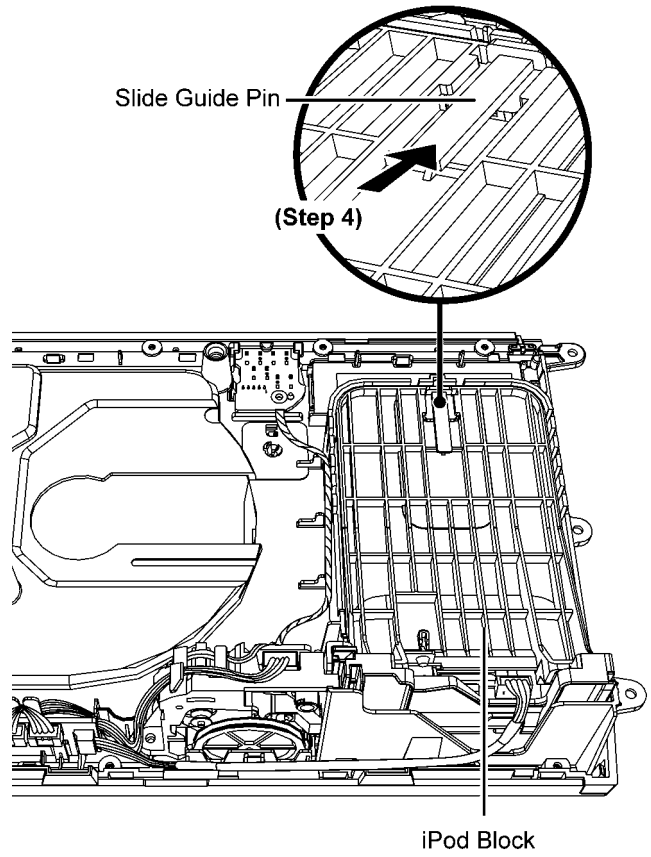


Step 3 : Connect 5P wire at the connector (CN501) on the iPod P.C.B..

Caution : During assembling, dressed the 5P wire into the ribs of the Front Panel Block.



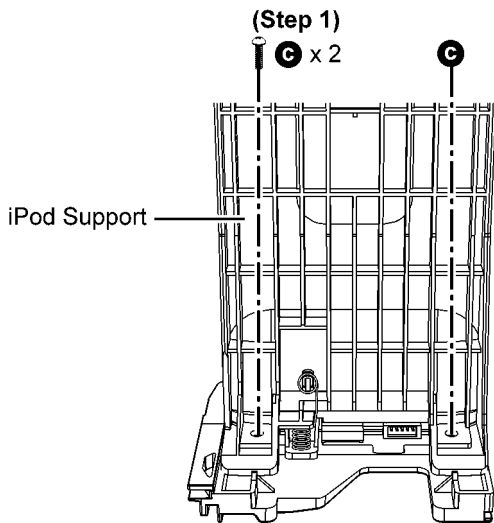
Step 4 : Gently push the Slide Guide Pin upwards. A “click” sound is heard when the Slide Guide Pin is fully caught.



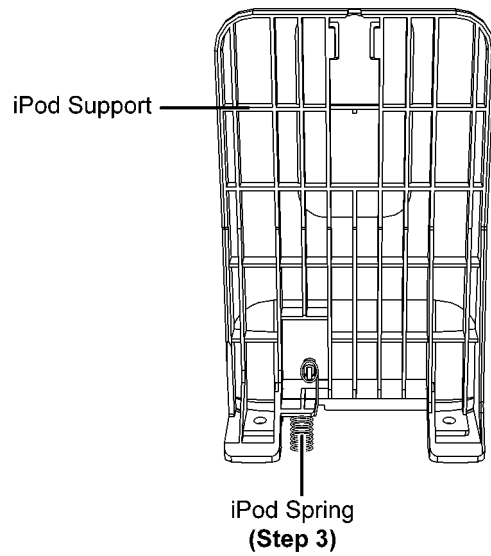
10.8.3. Disassembly of iPod Support & iPod Spring

- Refer to "Disassembly of iPod Block"

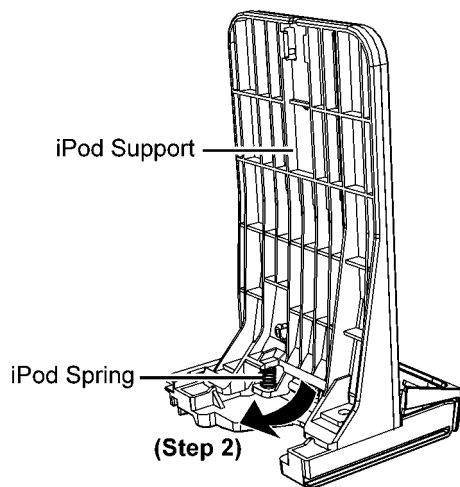
Step 1 : Remove 2 screws.



Step 3 : Release the iPod Spring & remove the iPod Support.
Caution : Keep the iPod Spring in safe place and place them back during assembling.



Step 2 : Lift up the iPod Support together with the iPod Spring as shown.

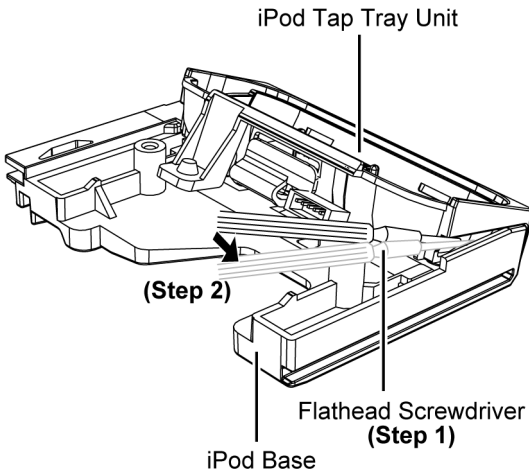


10.8.4. Disassembly of iPod Base

- Refer to “Disassembly of iPod Block”
- Refer to “Disassembly of iPod Support & iPod Spring”

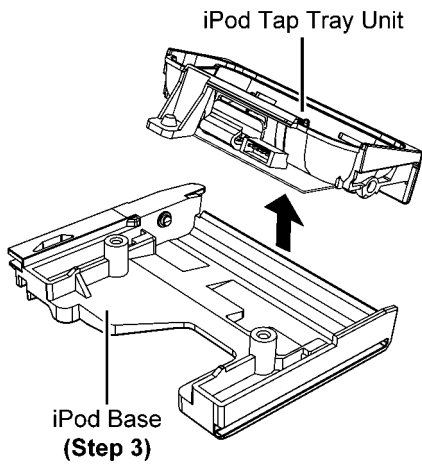
Step 1 : Insert a flathead screwdriver below the iPod Base as shown.

Step 2 : Push inwards and lift up to release the pivot of the iPod Base.



Step 3 : Lift up the iPod Tap Tray Unit.

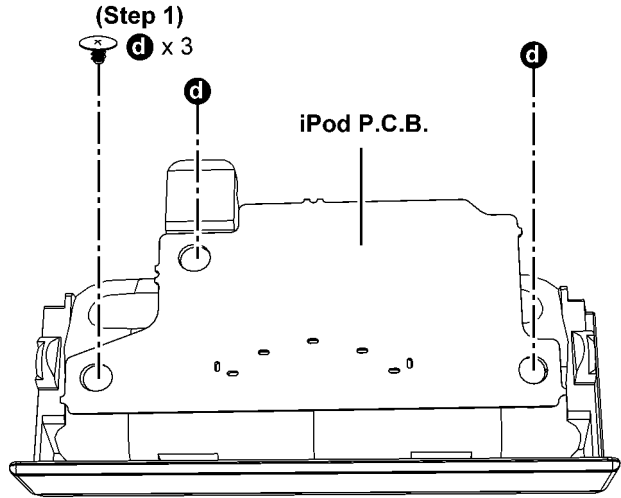
Caution : During assembling, a “click” sound is heard when the iPod Tap Tray unit is properly fixed.



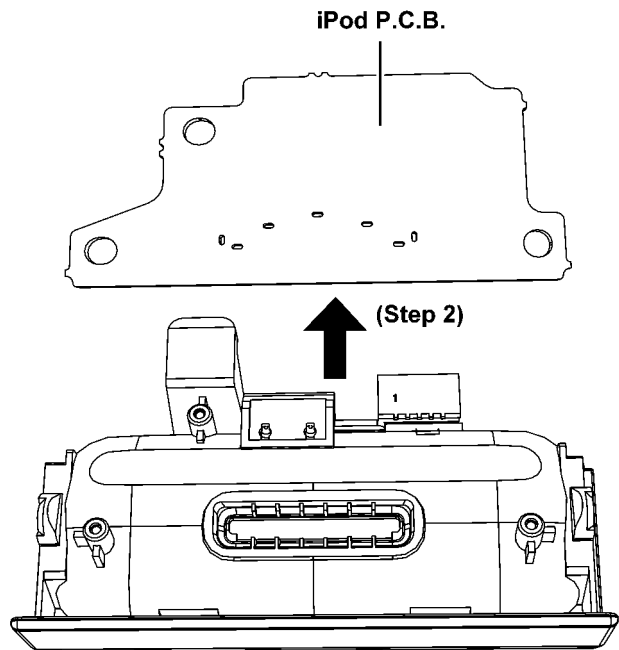
10.8.5. Disassembly of iPod P.C.B.

- Refer to “Disassembly of iPod Block”
- Refer to “Disassembly of iPod Support & iPod Spring”
- Refer to “Disassembly of iPod Base”

Step 1 : Remove 3 screws.



Step 2 : Remove the iPod P.C.B..

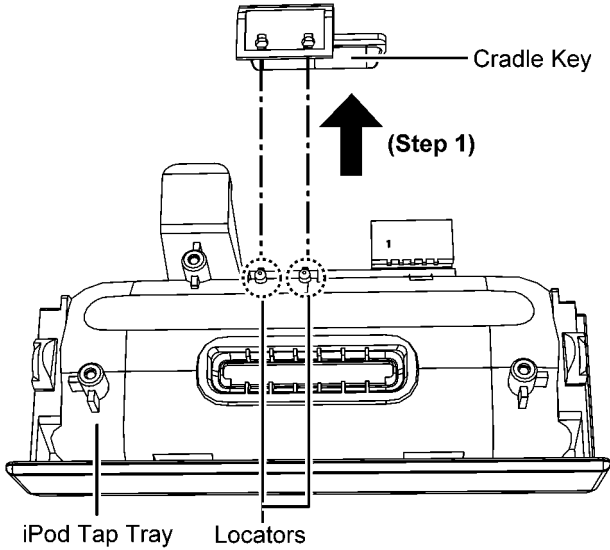


10.8.6. Disassembly of Cradle Key & iPod Tap Tray

- Refer to "Disassembly of iPod Block"
- Refer to "Disassembly of iPod Support & iPod Spring"
- Refer to "Disassembly of iPod Base"
- Refer to "Disassembly of iPod P.C.B."

Step 1 : Remove the Cradle Key.

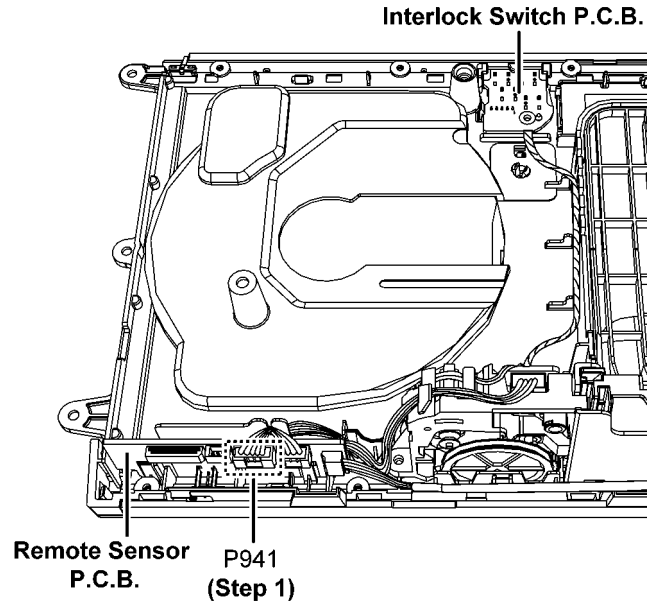
Caution : During assembling, ensure the Cradle Key is properly seated onto the 2 locators.



10.9. Disassembly of Interlock Switch P.C.B.

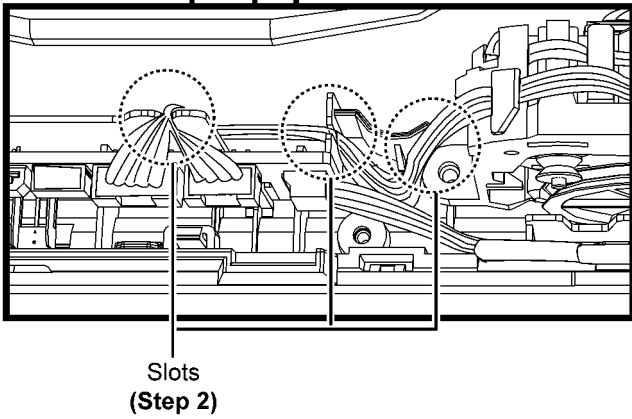
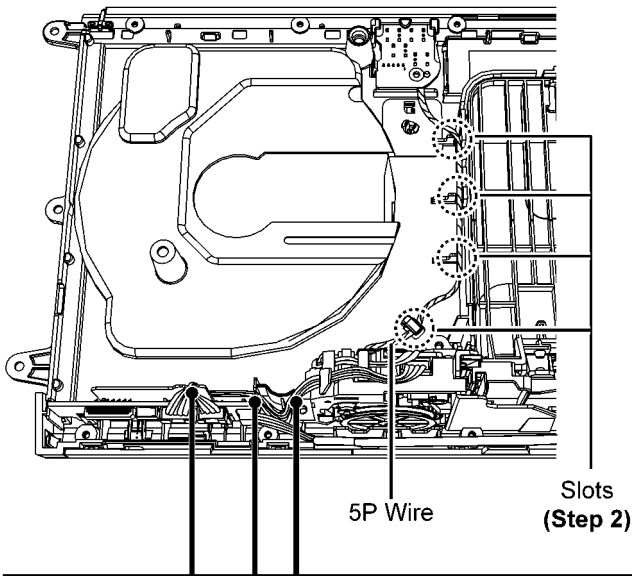
- Refer to "Disassembly of Base Stand Assembly"
- Refer to "Disassembly of Door Assembly"
- Refer to "Disassembly of Front Ornament Unit"
- Refer to "Disassembly of Front Panel Block"

Step 1 : Detach 5P wire at the connector (P941) on the Remote Sensor P.C.B..



Step 2 : Release the 5P Wire from the slots.

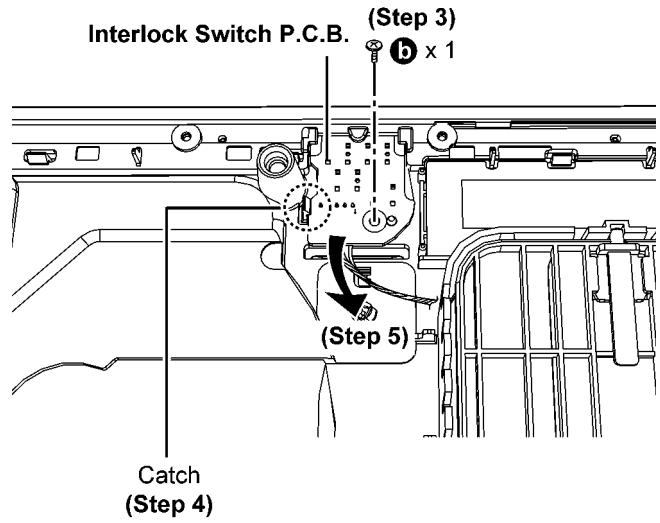
Caution : During assembling, ensure the 5P wire is dressed into the slots of the Front Panel Block.



Step 3 : Remove 1 screw.

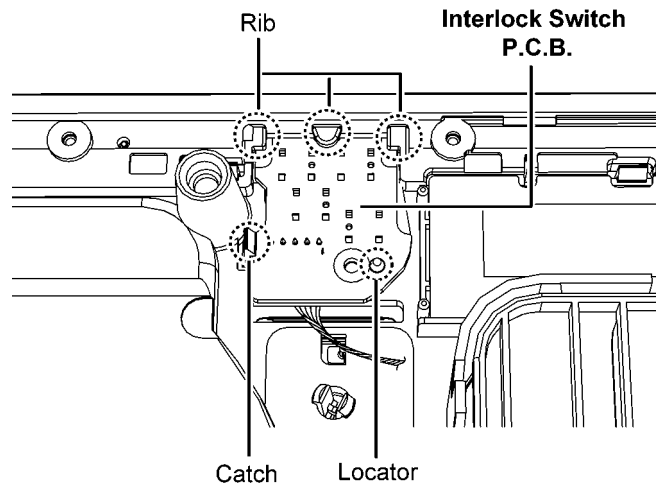
Step 4 : Release 1 catch.

Step 5 : Lift up the Interlock Switch P.C.B. as shown.

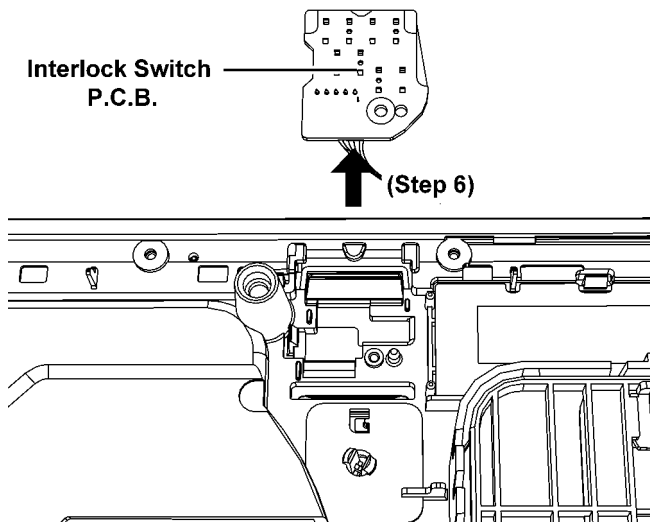


Caution 1 : During assembling, place the Interlock Switch P.C.B. under the rib.

Caution 2 : During assembling, ensure the Interlock Switch P.C.B. is fully caught and properly seated on the locator.



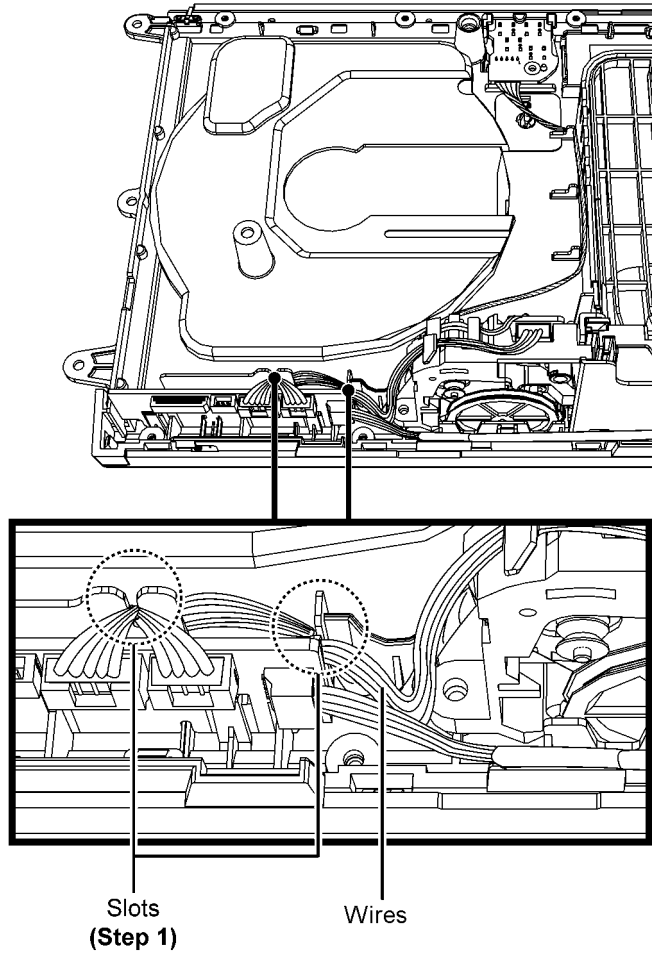
Step 6 : Remove the Interlock Switch P.C.B..



10.10. Disassembly of Remote Sensor P.C.B.

- Refer to "Disassembly of Base Stand Assembly"
- Refer to "Disassembly of Door Assembly"
- Refer to "Disassembly of Front Ornament Unit"
- Refer to "Disassembly of Front Panel Block"

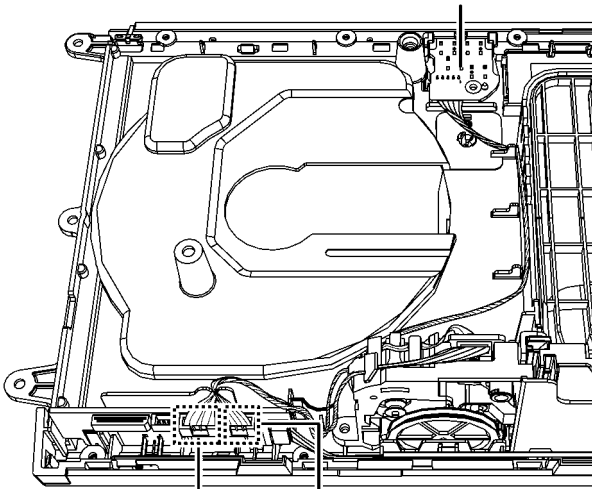
Step 1 : Release the wires from the slots.



Step 2 : Detach 5P wire at the connector (P941) on the Remote Sensor P.C.B..

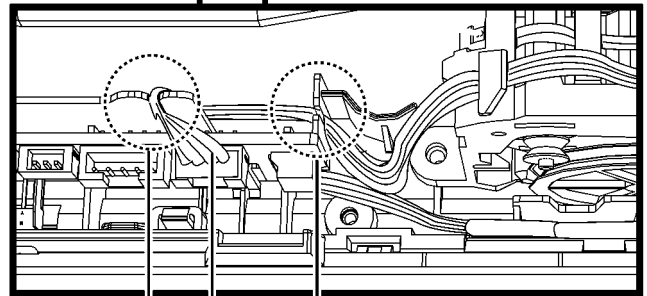
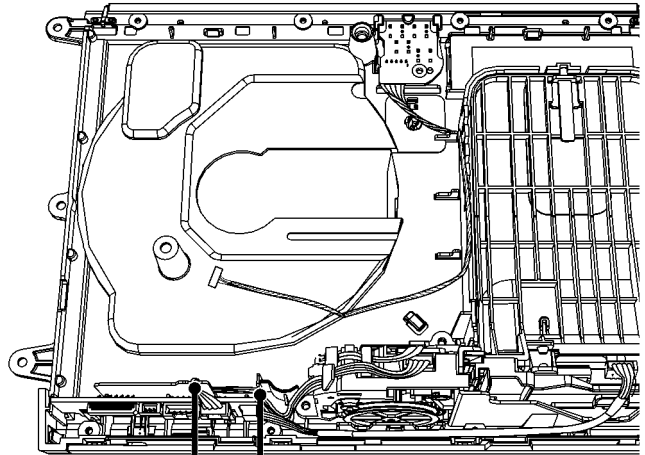
Step 3 : Detach 4P wire at the connector (P942) on the Remote Sensor P.C.B..

Interlock Switch P.C.B.

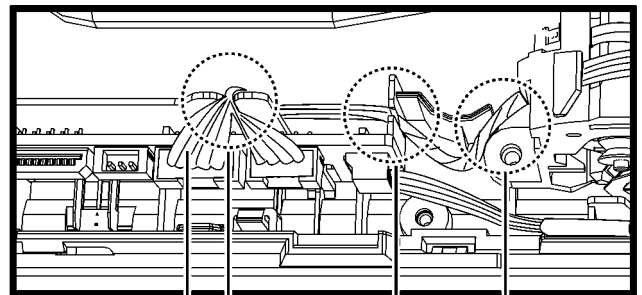
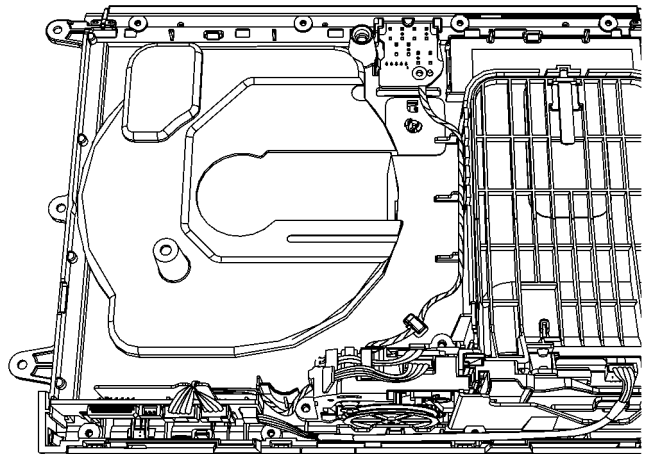


P941 (Step 2)
P942 (Step 3)

Caution : During assembling, ensure that the 4P & 5P wires are dressed into the slots respectively.

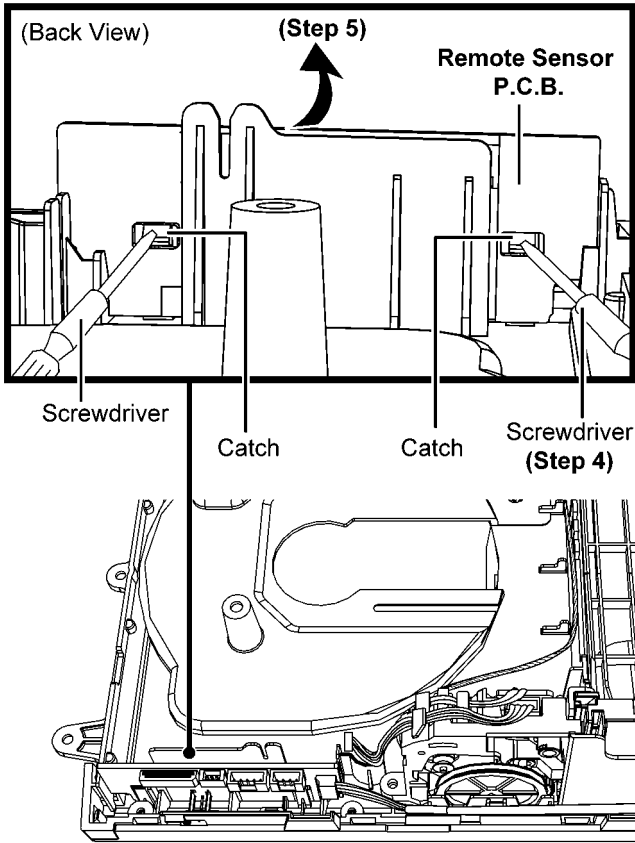


Slot
4P Wire
Slot

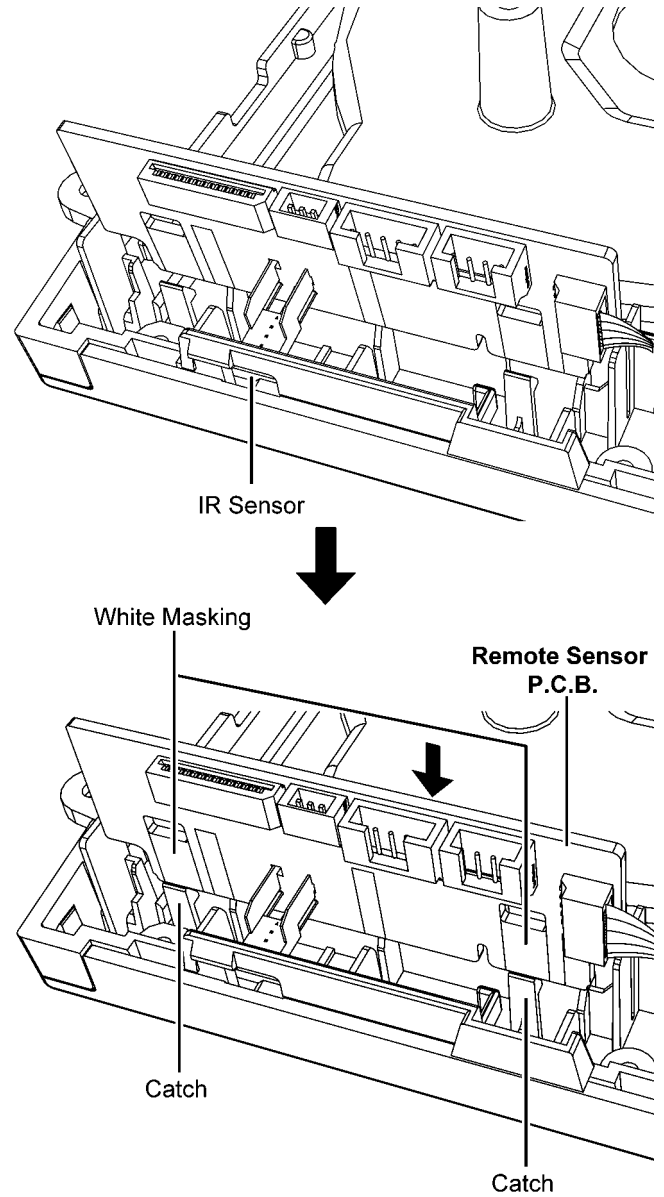


5P Wire
Slots

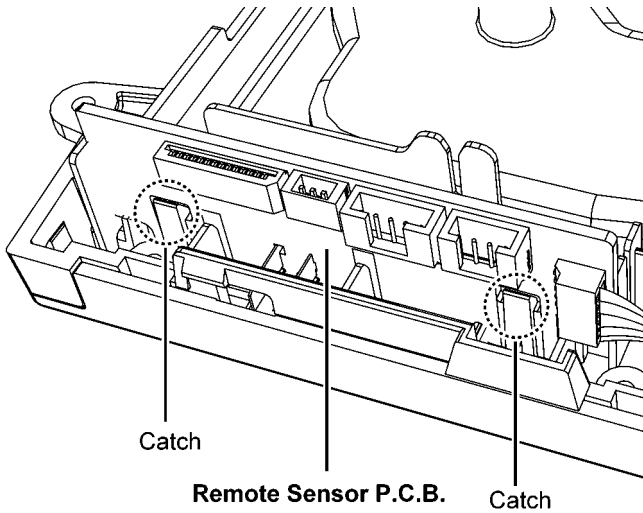
Step 4 : Using a Screwdriver to release 2 catches.
Step 5 : Lift up the Remote Sensor P.C.B. as shown.



Caution : During assembling, align the Remote Sensor P.C.B. (with white masking) with the catches & inserted into the front Panel Block.

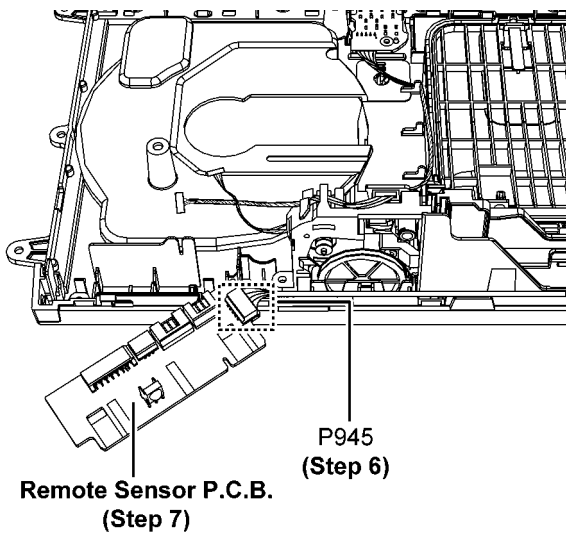


Caution : During assembling, ensure the Remote Sensor P.C.B. is seated properly and fully caught.



Step 6 : Detach 5P cable at the connector (P945) on the Remote Sensor P.C.B..

Step 7 : Remove the Remote Sensor P.C.B..

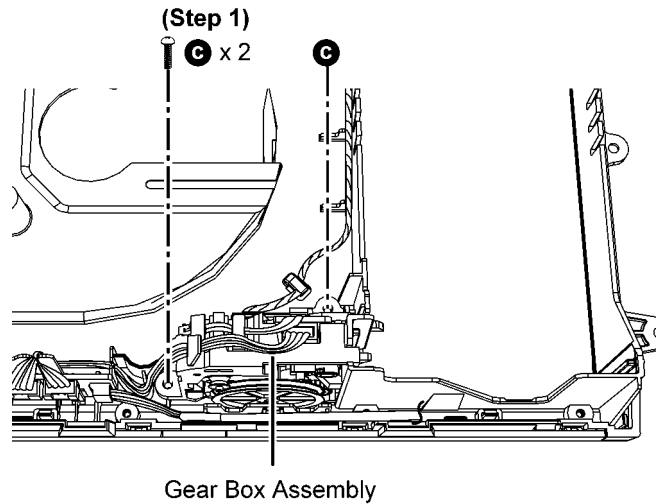


10.11. Replacement of Gear Box Assembly

- Refer to “Disassembly of Base Stand Assembly”
- Refer to “Disassembly of Door Assembly”
- Refer to “Disassembly of Front Ornament Unit”
- Refer to “Disassembly of Front Panel Block”
- Refer to “Disassembly of iPod Block”

10.11.1. Disassembly of Gear Box Assembly

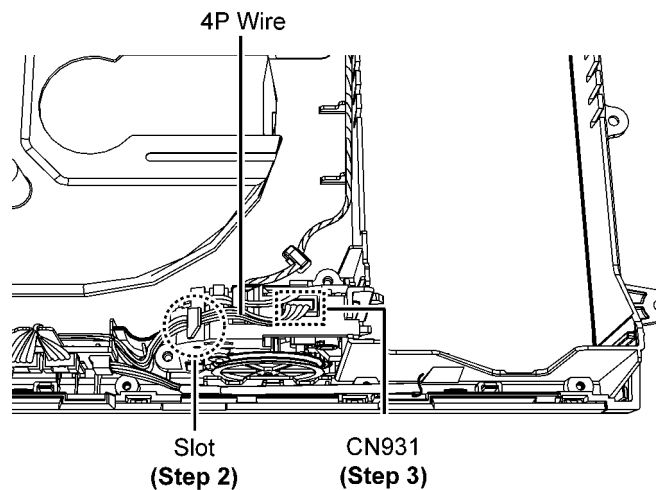
Step 1 : Remove 2 screws.



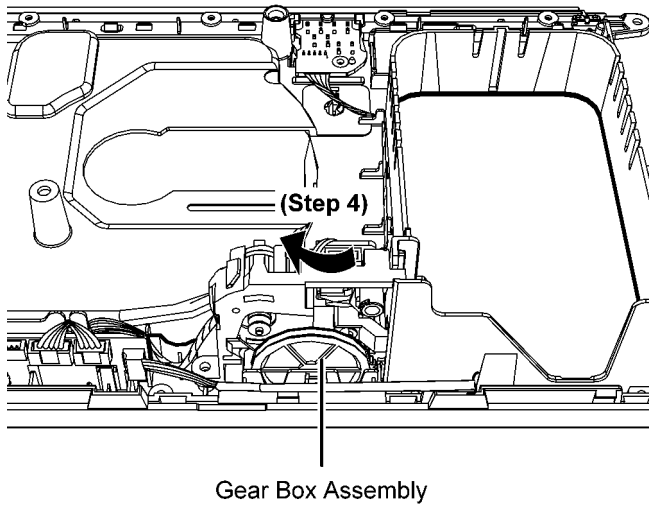
Step 2 : Release the 4P Wire from the slot.

Step 3 : Detach 4P wire at the connector (CN931) on the Motor P.C.B..

Caution : During assembling, ensure the 4P wire is dressed into the slot.

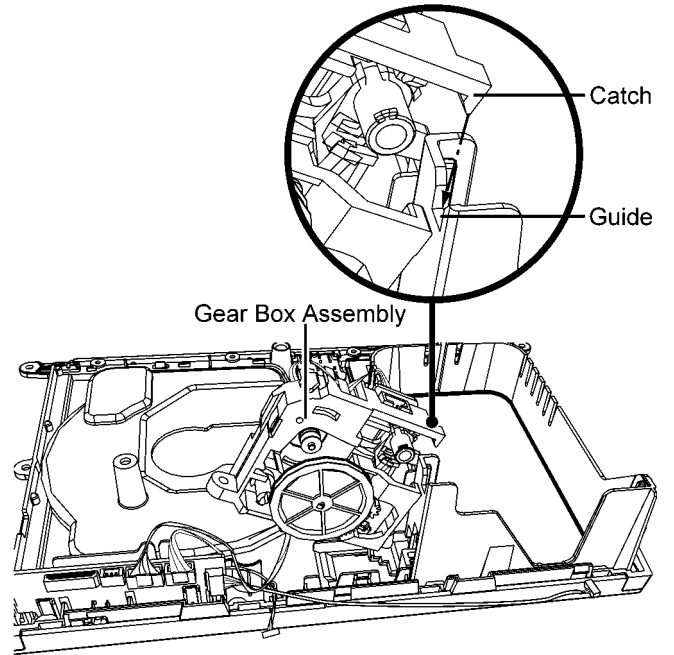


Step 4 : Remove the Gear Box Assembly as shown.

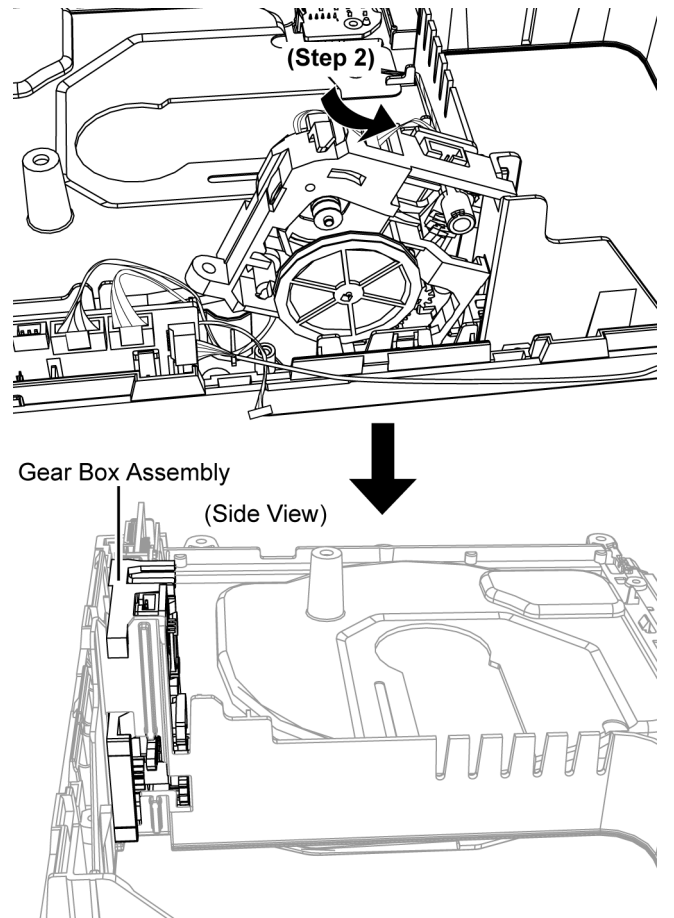


10.11.2. Assembly of Gear Box Assembly

Step 1 : Align the catch of the Gear Box Assembly with the guide on the Front Panel Block as shown.

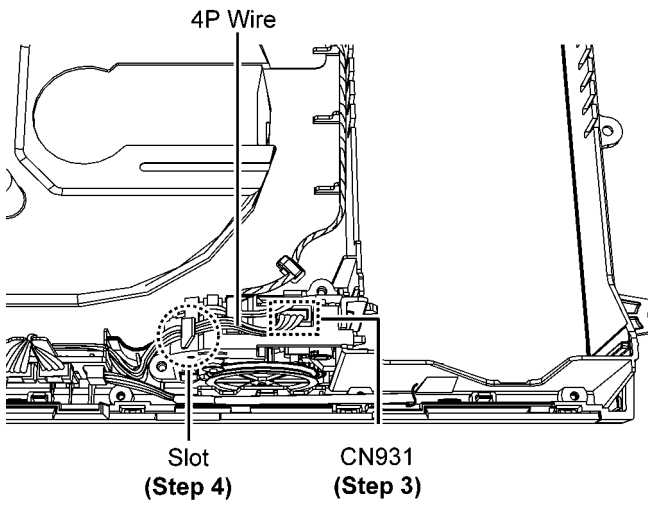


Step 2 : Slightly insert the Gear Box Assembly onto the Front Panel Block as shown.

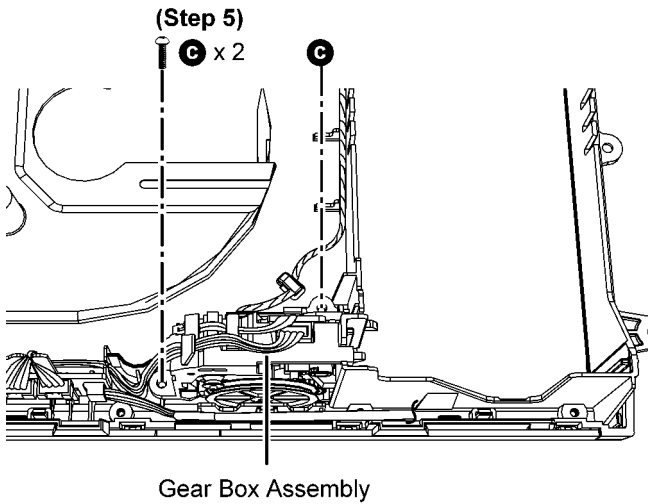


Step 3 : Connect 4P wire at the connector (CN931) on the Motor P.C.B..

Step 4 : Dress the 4P Wire into the slot.



Step 5 : Fix 2 screws.



10.12. Disassembly of Motor P.C.B.

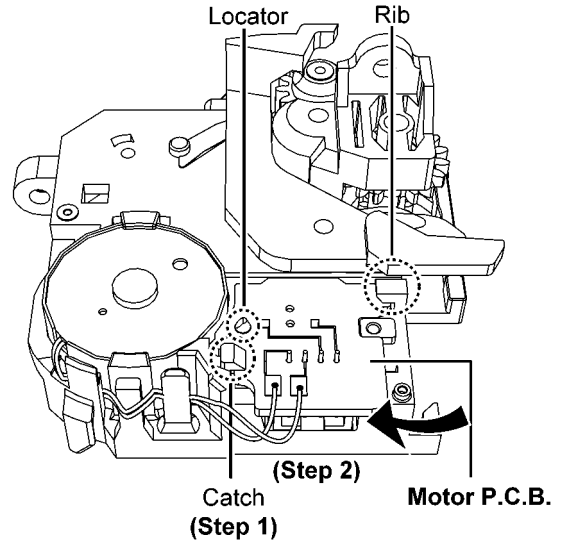
• Refer to "Disassembly of Gear Box Assembly"

Step 1 : Release 1 catch.

Step 2 : Remove the Motor P.C.B. as shown.

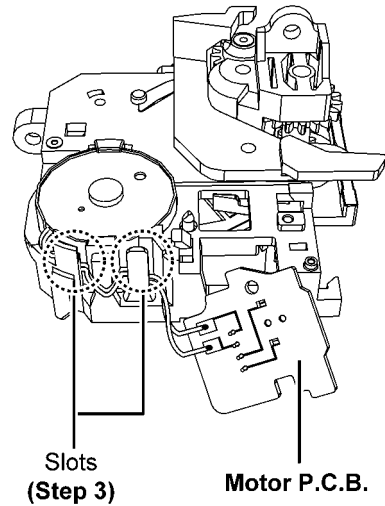
Caution 1 : During assembling, insert the Motor P.C.B. underneath the rib.

Caution 2 : During assembling, ensure the Motor P.C.B. is fully caught and seated on the locator.

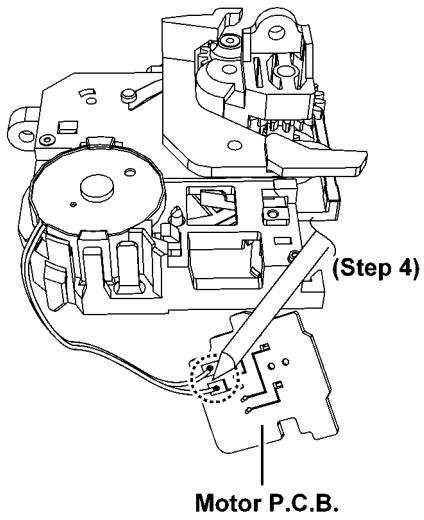


Step 3 : Release the 2P Wire from the slots.

Caution : During assembling, ensure the 2P wire is dressed into the slots.



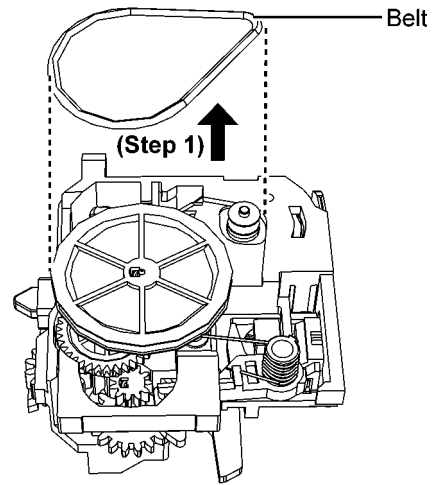
Step 4 : Desolder pins on the solder side of the Motor P.C.B. and remove the Motor P.C.B..



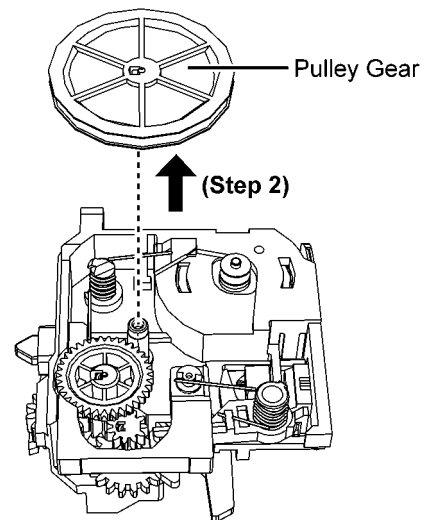
10.13. Disassembly of Belt & Pulley Gear

• Refer to "Disassembly of Gear Box Assembly"

Step 1 : Remove the Belt.



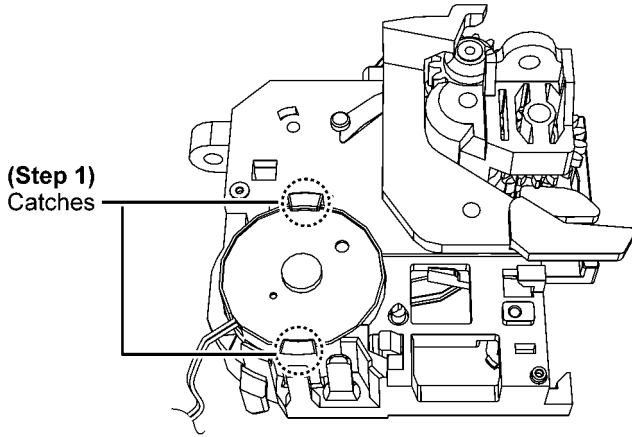
Step 2 : Remove the Pulley Gear.



10.14. Disassembly of Motor Assembly

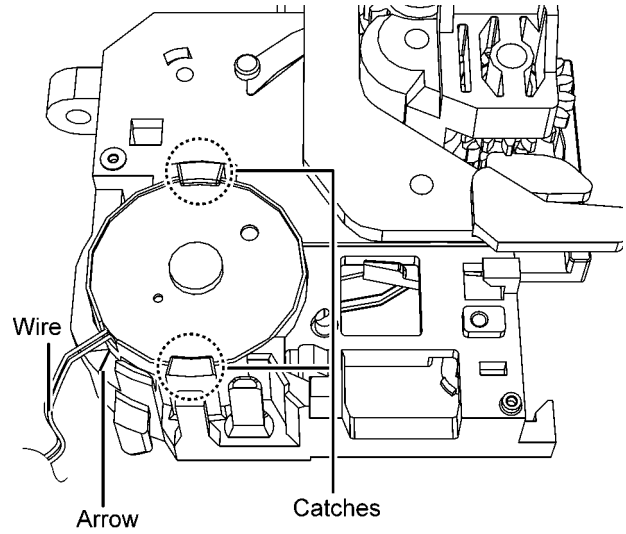
- Refer to “Disassembly of Gear Box Assembly”
- Refer to “Disassembly of Motor P.C.B.”
- Refer to (Step 1) of item 10.13.

Step 1 : Release 2 catches.

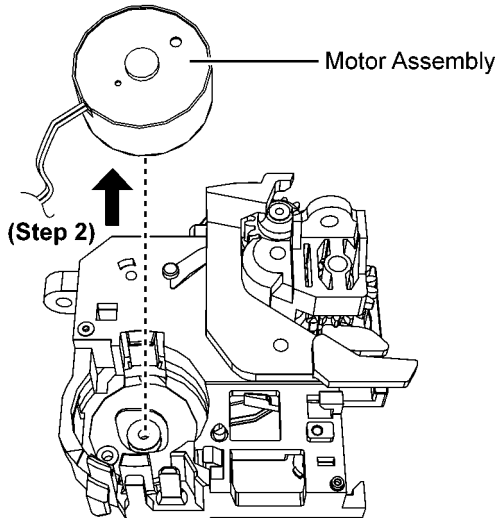


Caution 1 : During assembling, align the Motor wire with the indicated arrow as shown.

Caution 2 : During assembling, ensure the Motor Assembly is fully caught & seated properly.



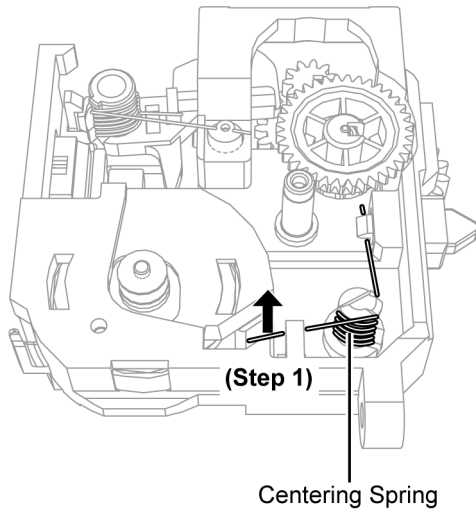
Step 2 : Remove the Motor Assembly.



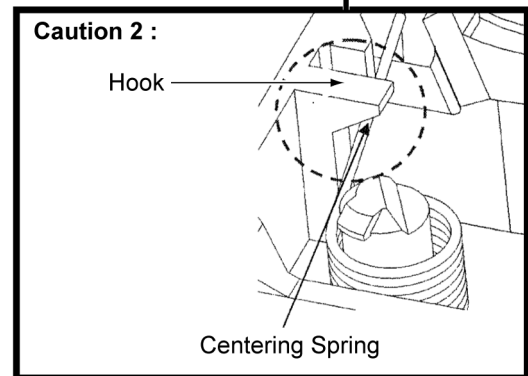
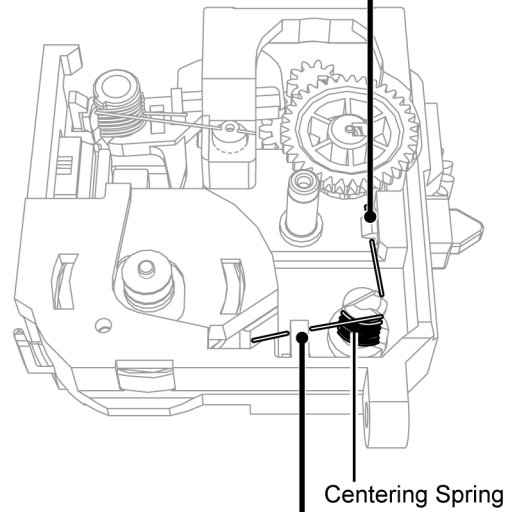
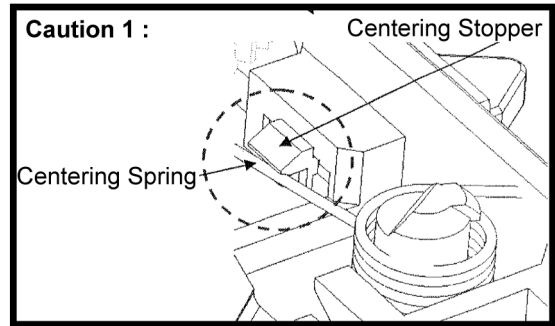
10.15. Disassembly of Centering Spring & Centering Stopper

- Refer to "Disassembly of Gear Box Assembly"
- Refer to "Disassembly of Belt & Pulley Gear"

Step 1 : Release the Centering Spring as shown.

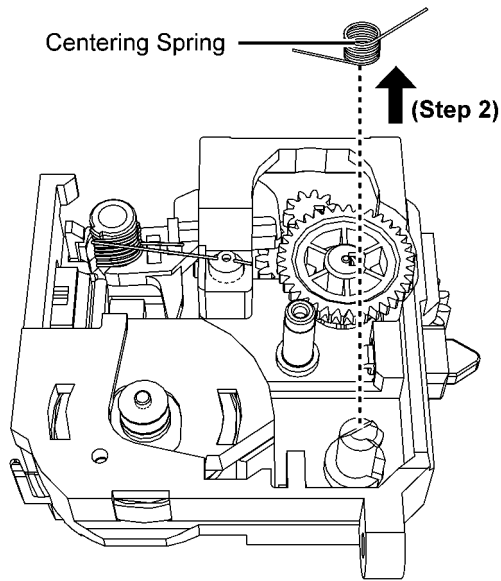


Caution 1 : During assembling, placed the Centering Spring underneath the rib of the Centering Stopper.
Caution 2 : During assembling, placed the Centering Spring underneath the hook of the gear box assembly.



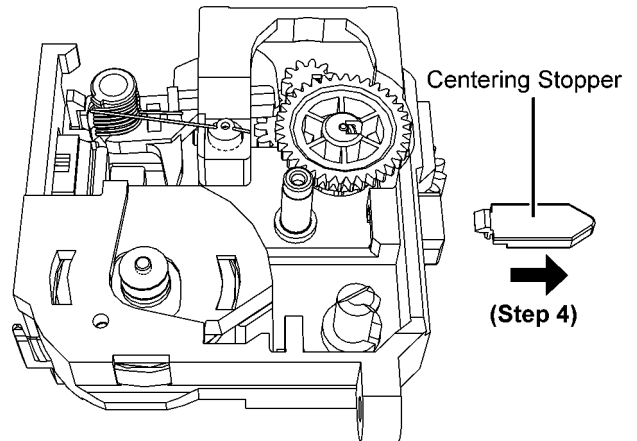
Step 2 : Remove the Centering Spring.

Caution : Keep the Centering Spring in safe place and place them back during assembling.

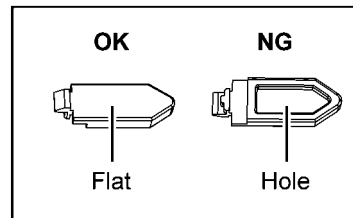
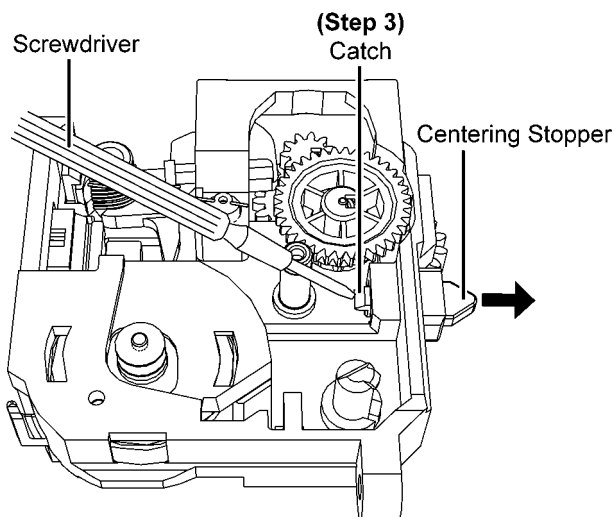


Step 4 : Remove the Centering Stopper.

Caution : During assembling, check the correct orientation before fixing the centering stopper. A "click" sound will be heard when fully caught.



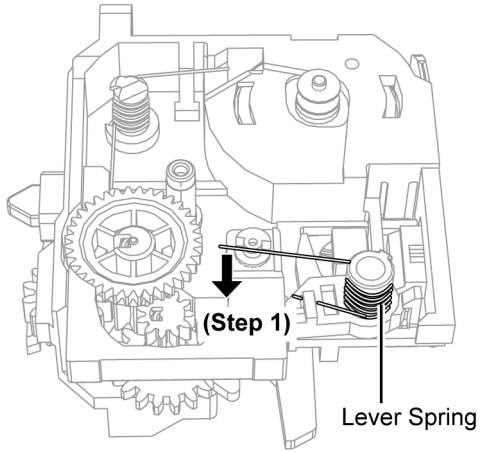
Step 3 : Press to release 1 catch as shown.



10.16. Disassembly of Lever Spring, Trigger Lever & Driver Gear A

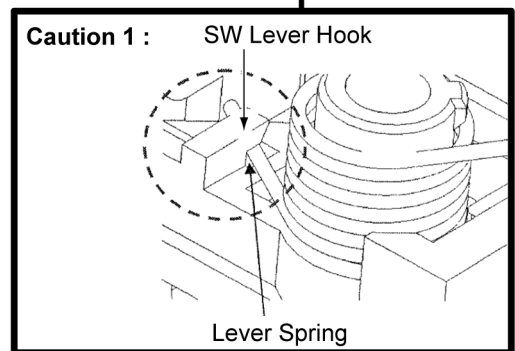
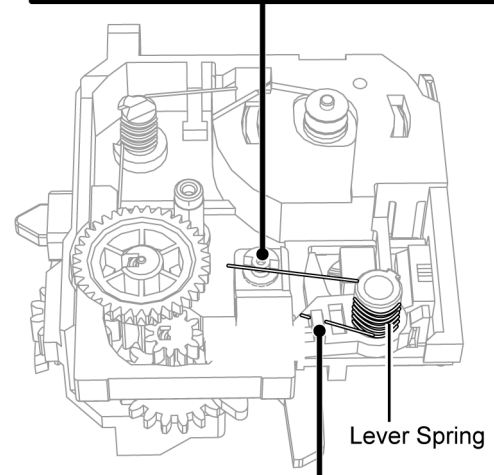
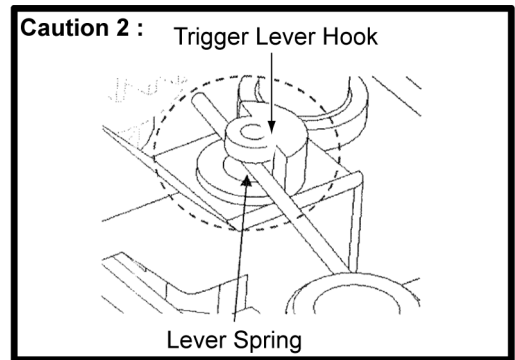
- Refer to "Disassembly of Gear Box Assembly"
- Refer to "Disassembly of Belt & Pulley Gear"

Step 1 : Release the Lever Spring as shown.



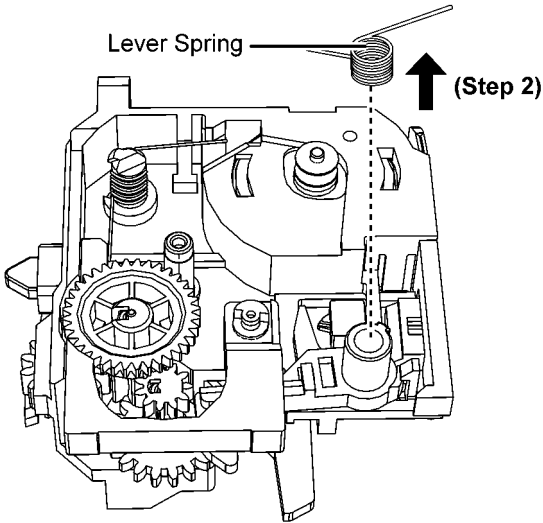
Caution 1 : During assembling, placed the Lever Spring underneath SW Lever Hook.

Caution 2 : During assembling, placed the Lever Spring underneath Trigger Lever Hook.



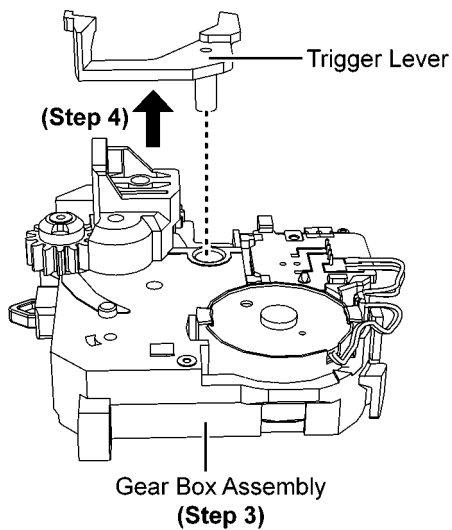
Step 2 : Remove the Lever Spring.

Caution : Keep the Lever Spring in safe place and place them back during assembling.

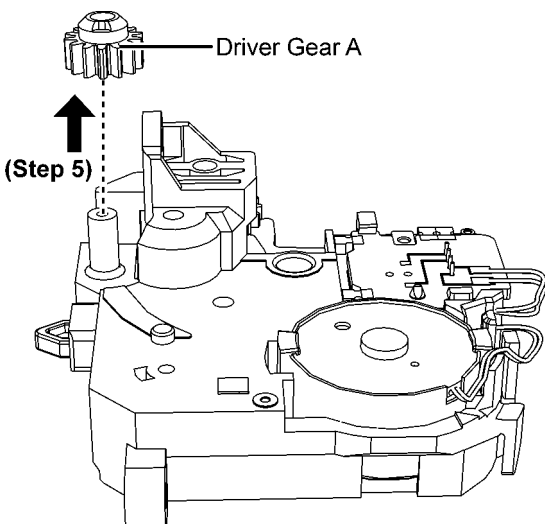


Step 3 : Upset the Gear Box Assembly.

Step 4 : Remove the Trigger Lever.



Step 5 : Remove the Driver Gear A.

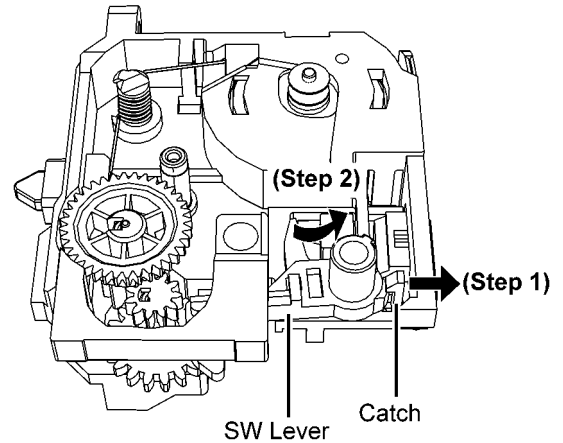


10.17. Disassembly of SW Lever, Relay Gear & Driver Gear B

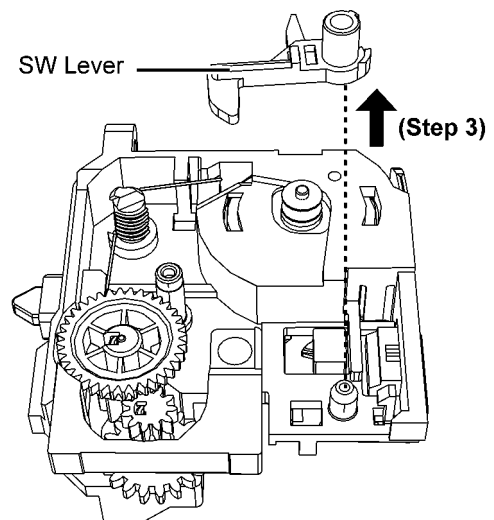
- Refer to "Disassembly of Gear Box Assembly"
- Refer to "Disassembly of Belt & Pulley Gear"
- Refer to "Disassembly of Lever Spring, Trigger Lever & Driver Gear A"

Step 1 : Release 1 catch as shown.

Step 2 : Lift up the SW Lever as shown.

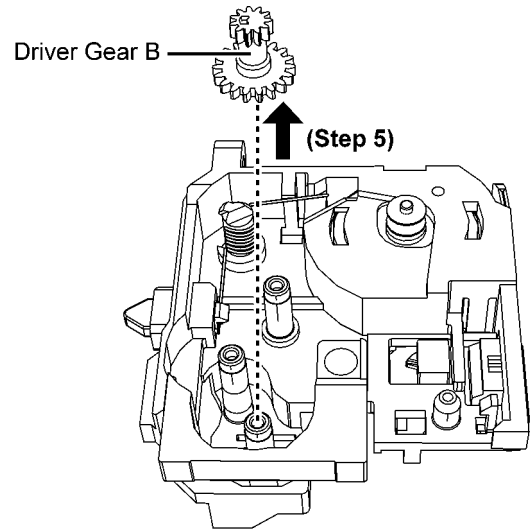
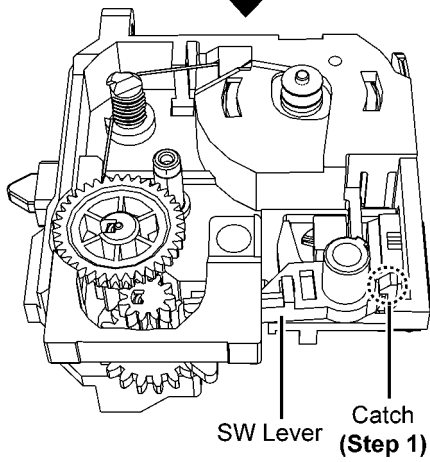
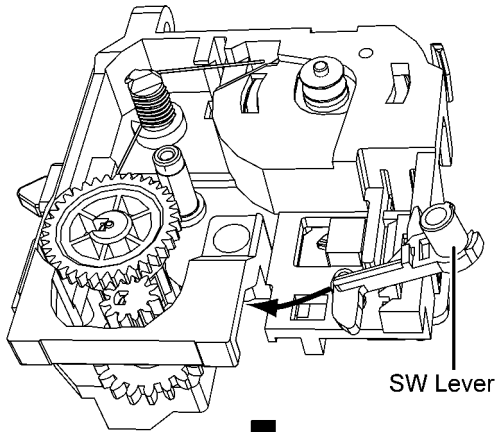


Step 3 : Remove the SW Lever.

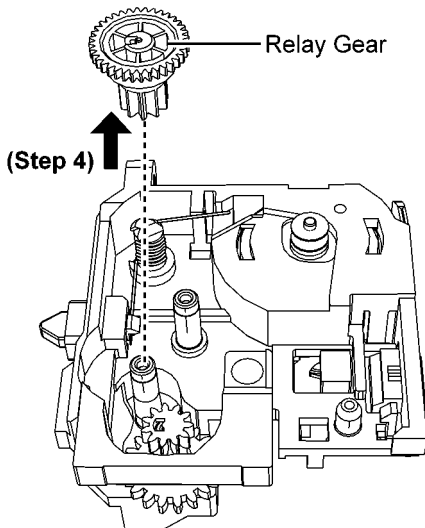


Caution : During assembling, a “click” sound could be heard when the SW Lever is fully caught.

Step 5 : Remove the Driver Gear B.



Step 4 : Remove the Relay Gear.

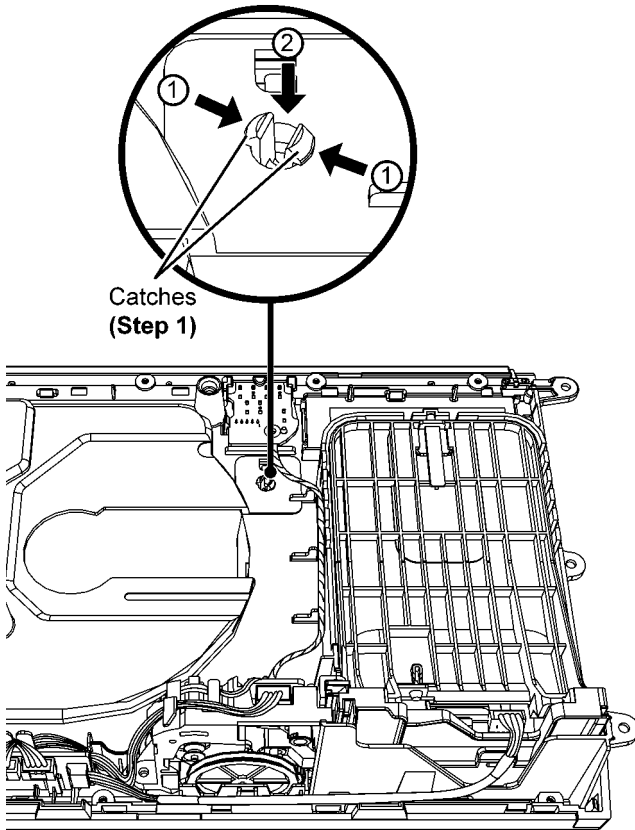


10.18. Disassembly of Shutter & Shutter Spring

- Refer to “Disassembly of Base Stand Assembly”
- Refer to “Disassembly of Door Assembly”
- Refer to “Disassembly of Front Ornament Unit”
- Refer to “Disassembly of Front Panel Block”

Step 1 : Press the catches inwards and push the Shutter downwards in order of sequences (1) to (2).

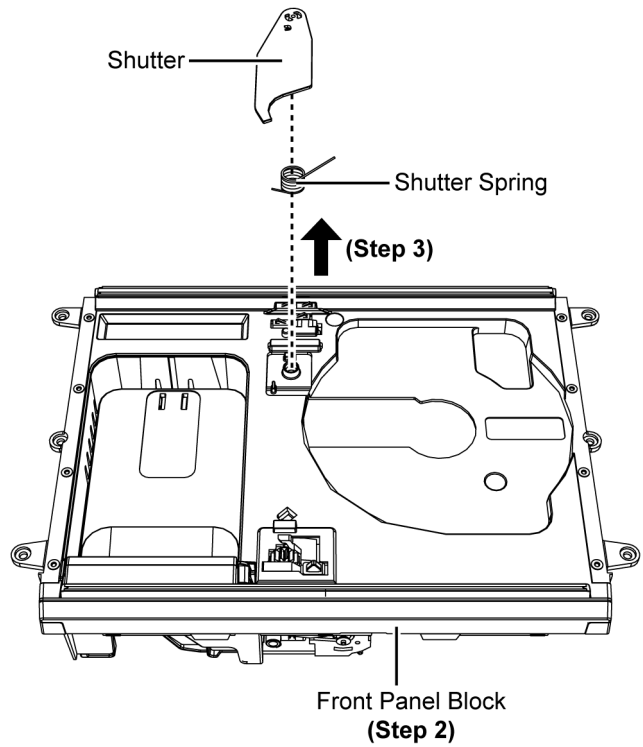
Caution : During assembling, ensure the Shutter is fully caught.



Step 2 : Upset the Front Panel Block.

Step 3 : Remove the Shutter & Shutter Spring.

Caution : Keep the Shutter Spring in safe place and place them back during assembling.

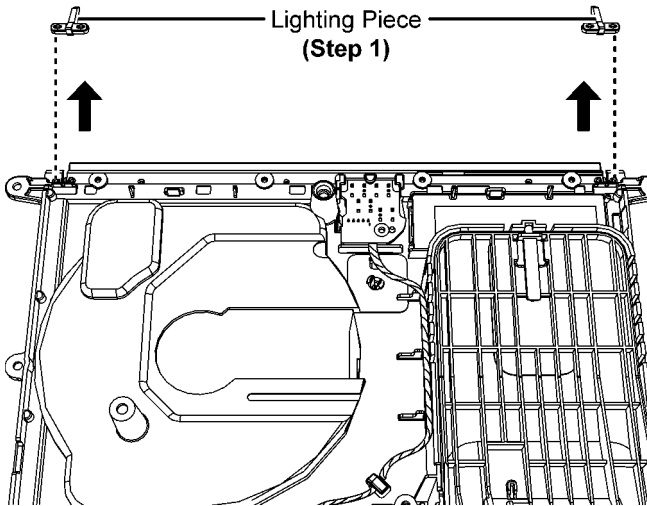


10.19. Disassembly of Upper Guide Rail & Top Ornament

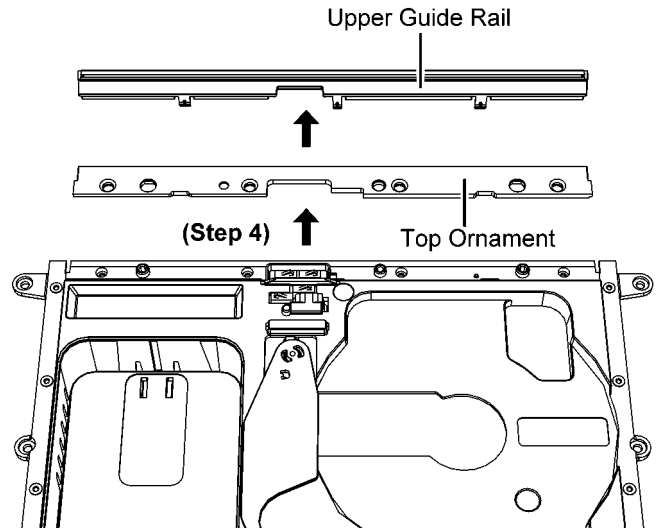
- Refer to "Disassembly of Base Stand Assembly"
- Refer to "Disassembly of Door Assembly"
- Refer to "Disassembly of Front Ornament Unit"
- Refer to "Disassembly of Front Panel Block"

Step 1 : Lift up & remove the Lighting Pieces as show.

Caution : Keep the Lighting Pieces in safe place and place them back during assembling.



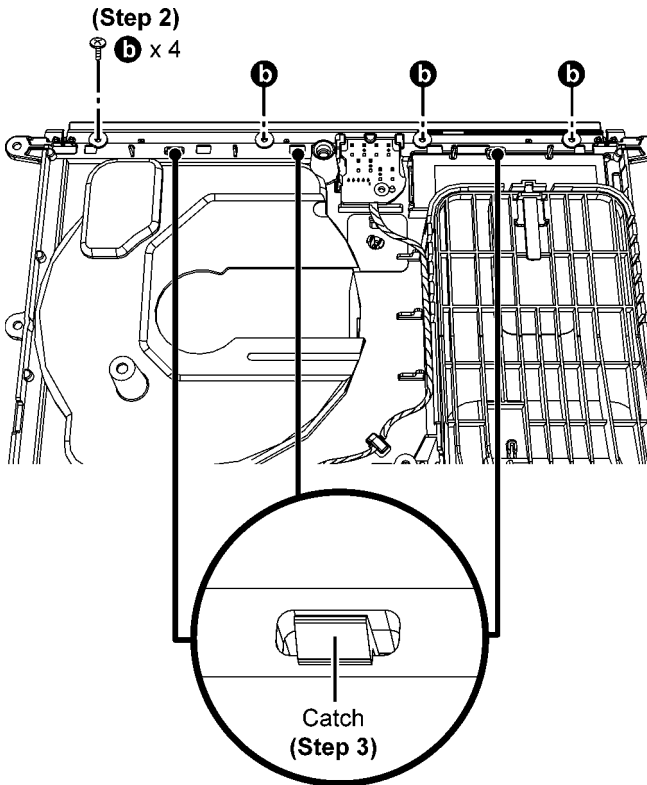
Step 4 : Remove the Upper Guide Rail & the Top Ornament.



Step 2 : Remove 4 screws.

Step 3 : Release 3 catches.

Caution : During assembling, ensure the Upper Guide Rail is fully caught to the Front Panel Block.

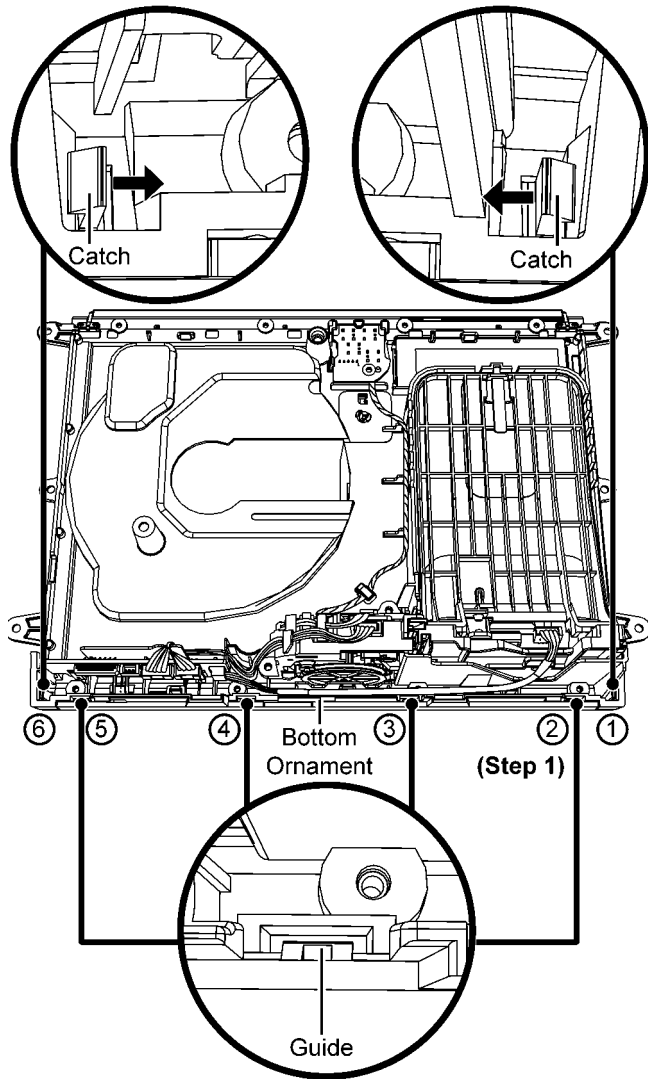


10.20. Disassembly of Bottom Ornament

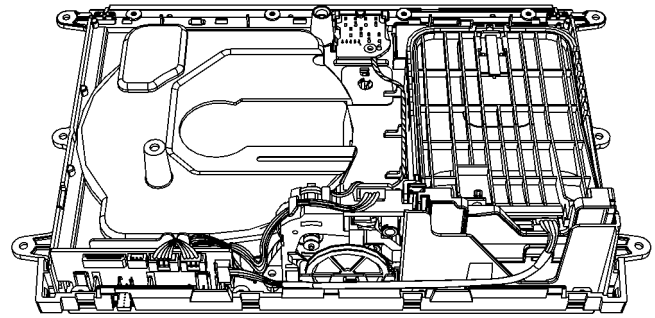
- Refer to “Disassembly of Base Stand Assembly”
- Refer to “Disassembly of Door Assembly”
- Refer to “Disassembly of Front Ornament Unit”
- Refer to “Disassembly of Front Panel Block”

Step 1 : Release two catches & guide by sequence (1) to (6) as shown.

Caution : During assembling, ensure the Bottom Ornament is fully caught to the Front Panel Block.



Step 2 : Remove the Bottom Ornament.



(Step 2) ↓



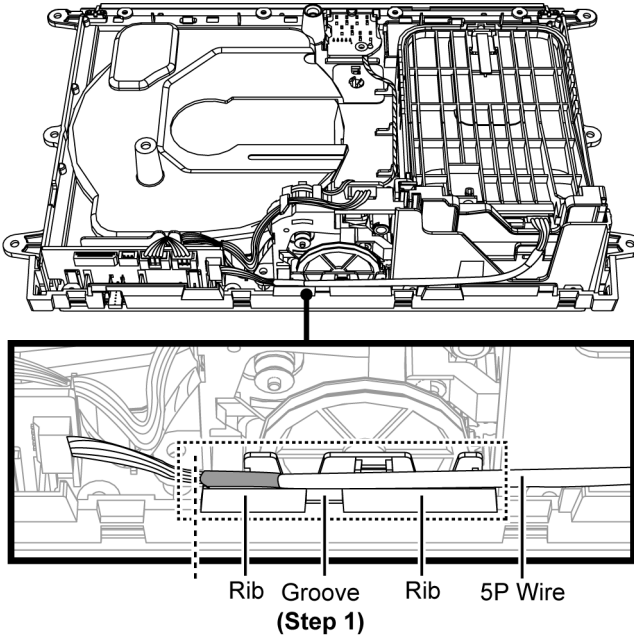
Bottom Ornament

10.21. Disassembly of Lower Guide Rail

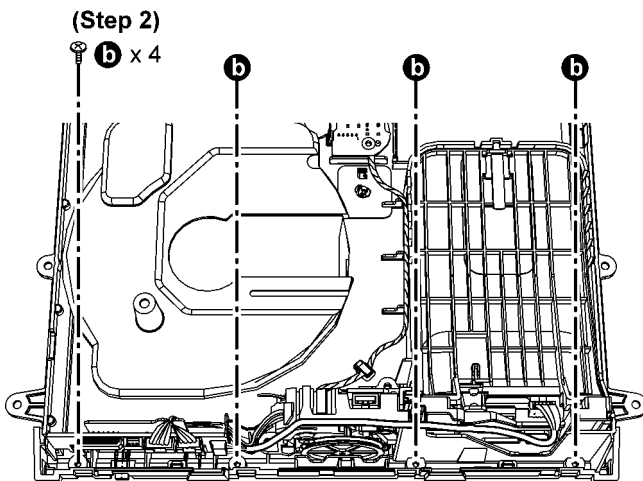
- Refer to "Disassembly of Base Stand Assembly"
- Refer to "Disassembly of Door Assembly"
- Refer to "Disassembly of Front Ornament Unit"
- Refer to "Disassembly of Front Panel Block"
- Refer to "Disassembly of Bottom Ornament"

Step 1 : Release the 5P Wire from the groove.

Caution : During assembling, dressed the 5P wire into the ribs of the Front Panel Block.

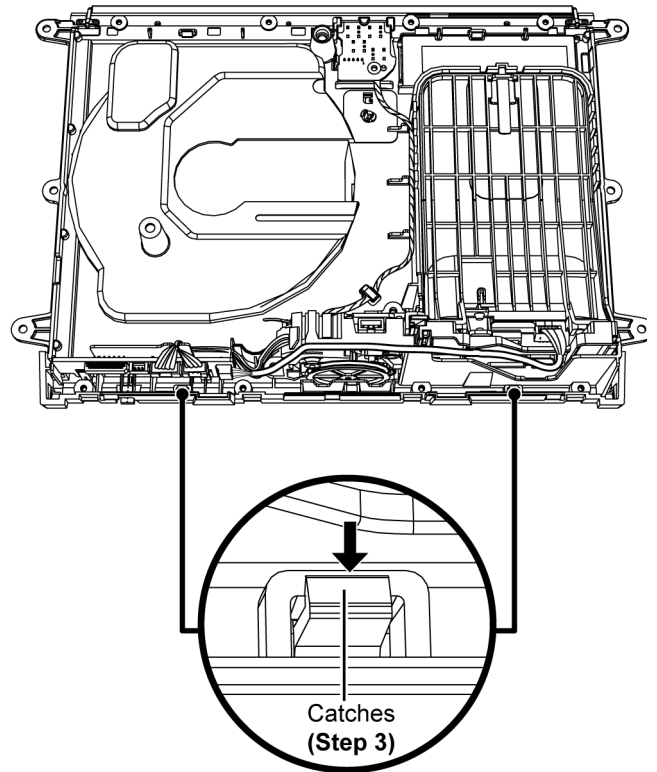


Step 2 : Remove 4 screws.

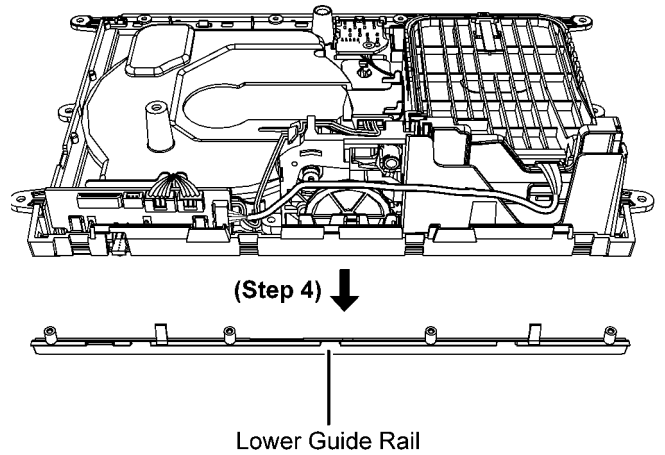


Step 3 : Release 2 catches.

Caution : During assembling, ensure the Lower Guide Rail is fully caught to the Front Panel Block.



Step 4 : Remove the Lower Guide Rail.



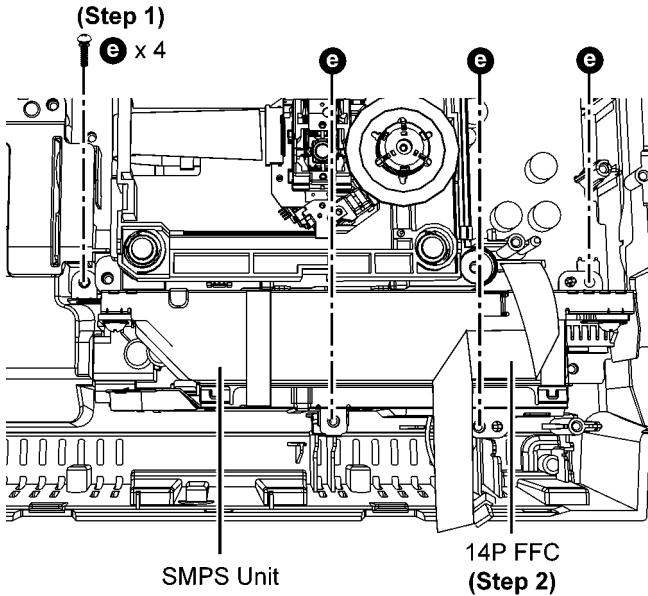
10.22. Disassembly of SMPS P.C.B.

- Refer to “Disassembly of Base Stand Assembly”
- Refer to “Disassembly of Door Assembly”
- Refer to “Disassembly of Front Ornament Unit”
- Refer to “Disassembly of Front Panel Block”

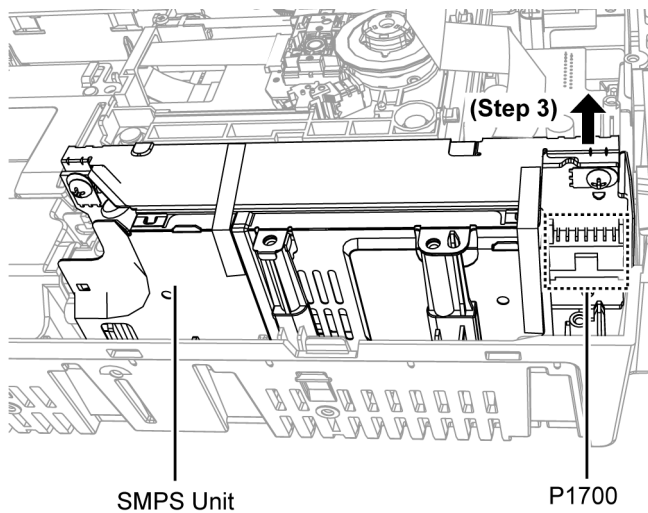
Step 1 : Remove 4 screws.

Step 2 : Lift up the 14P FFC.

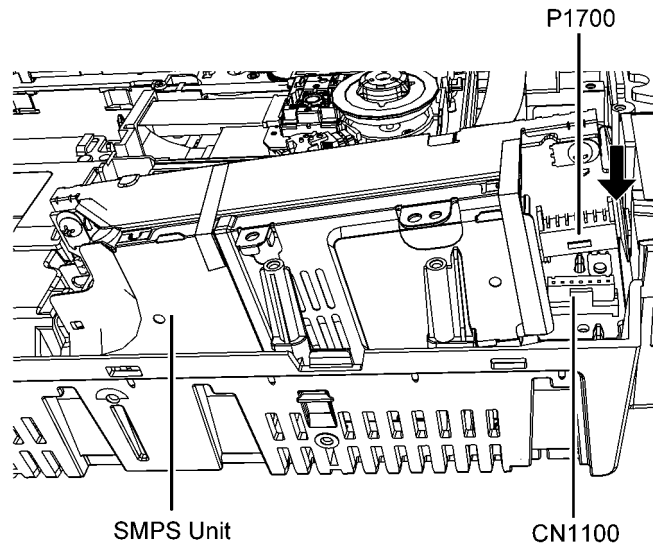
Caution : The 14P FFC is pasted onto the SMPS Unit using a double sided tape. During assembling, replace with new one if torn.



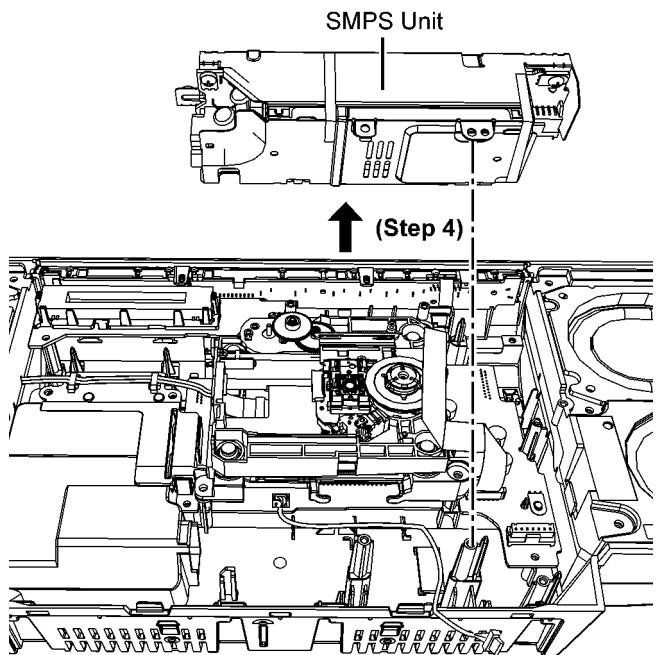
Step 3 : Gently lift up the SMPS Unit.



Caution : During assembling, a “click” sound could be heard when the SMPS unit is attached properly to the Main P.C.B..

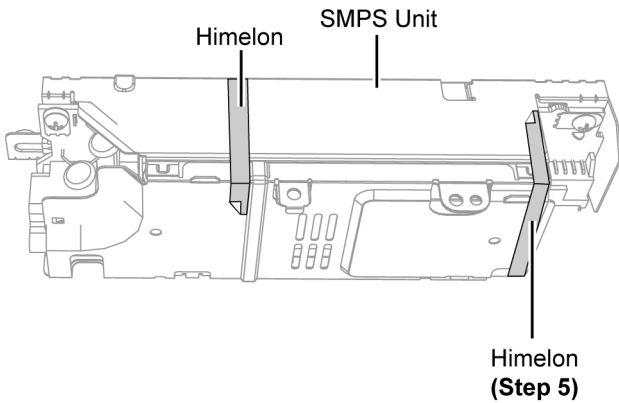


Step 4 : Remove the SMPS Unit.



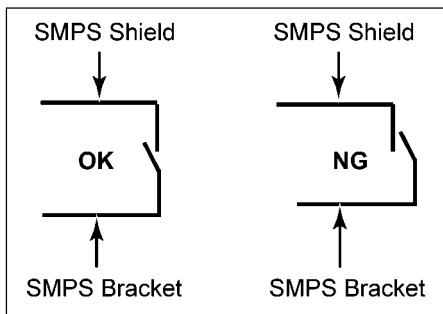
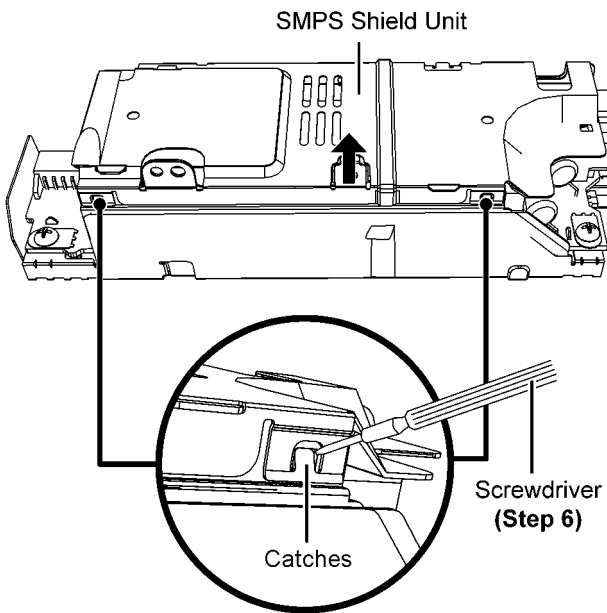
Step 5 : Lift up the Himelons.

Caution : Replace the Himelons if they are torn during dis-assembling.



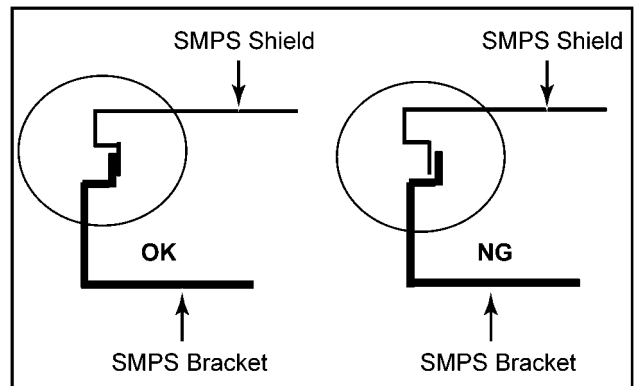
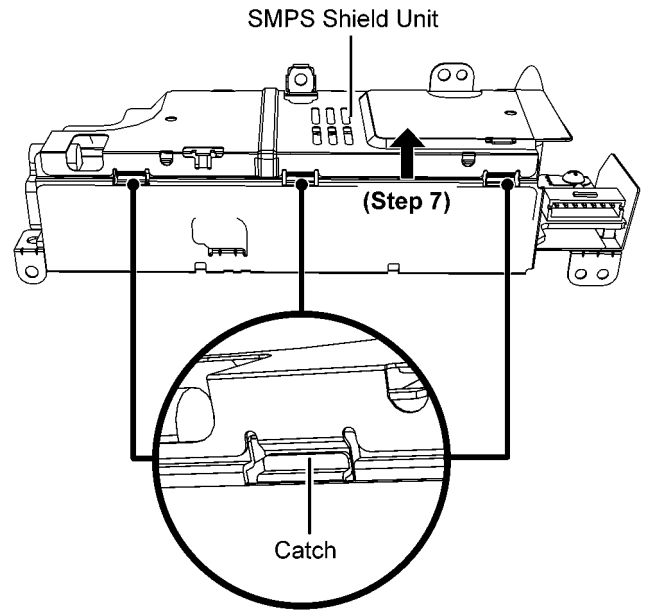
Step 6 : Press to release 2 catches using a screwdriver and gently push up the SMPS Shield Unit.

Caution : During assembling, ensure that the SMPS Shield Unit is caught properly to the SMPS bracket as shown.

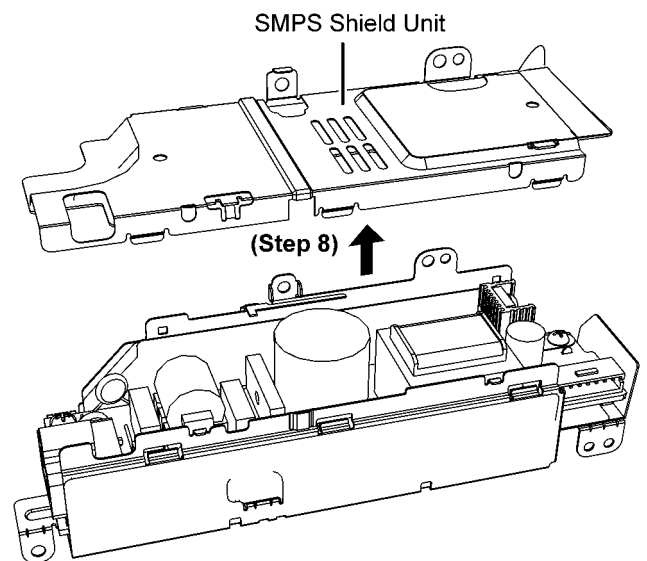


Step 7 : Gently push up the SMPS Shield Unit to release the catches.

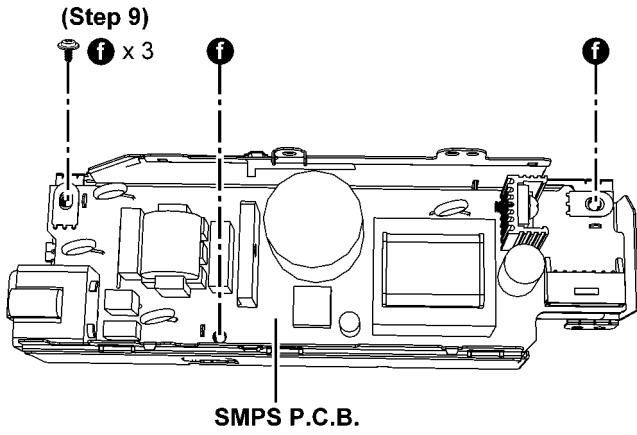
Caution : During assembling, ensure that the SMPS Shield Unit is caught properly to the SMPS bracket as shown.



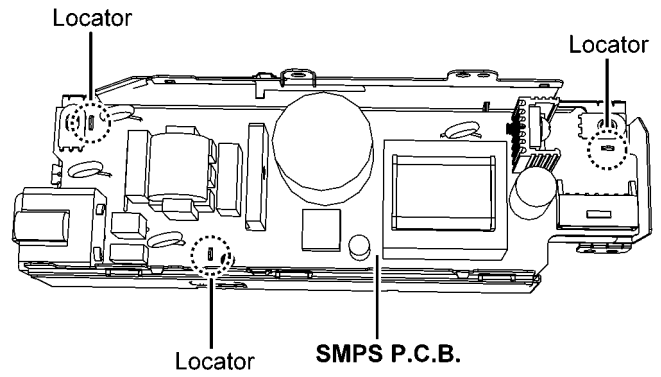
Step 8 : Remove the SMPS Shield Unit.



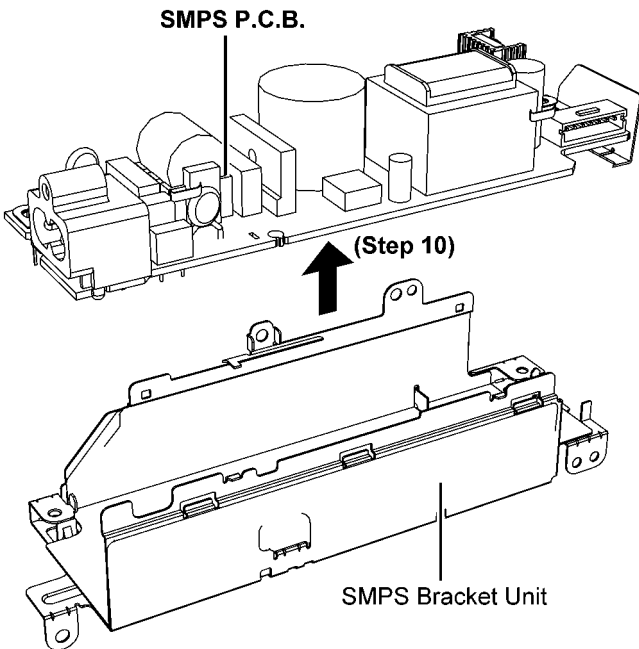
Step 9 : Remove 3 screws.



Caution : During assembling, ensure that the SMPS P.C.B. is properly seated on the locators.



Step 10 : Remove the SMPS P.C.B..



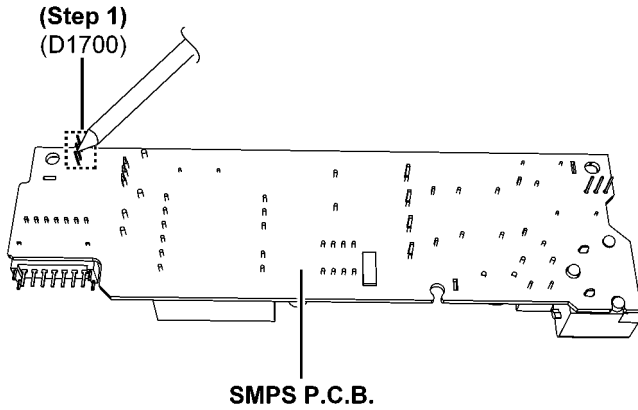
10.23. Replacement of Diode (D1700)

• Refer to "Disassembly of SMPS P.C.B."

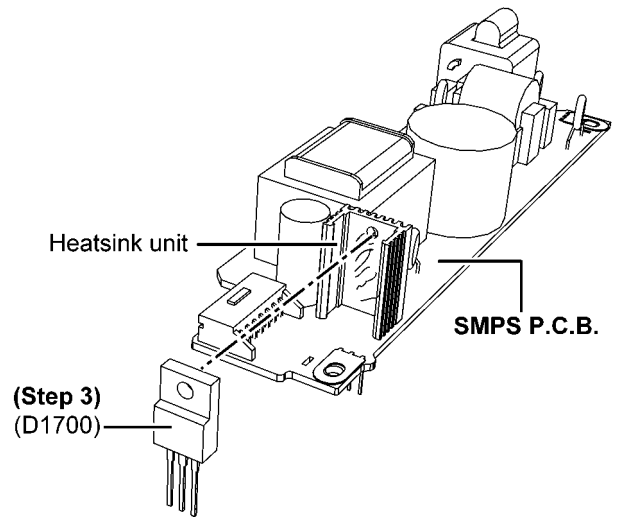
10.23.1. Disassembly of Diode (D1700)

Caution : Avoid touching the heatsink unit and SMPS P.C.B., due to its high temperature after prolonged use. Touching it may lead to injuries.

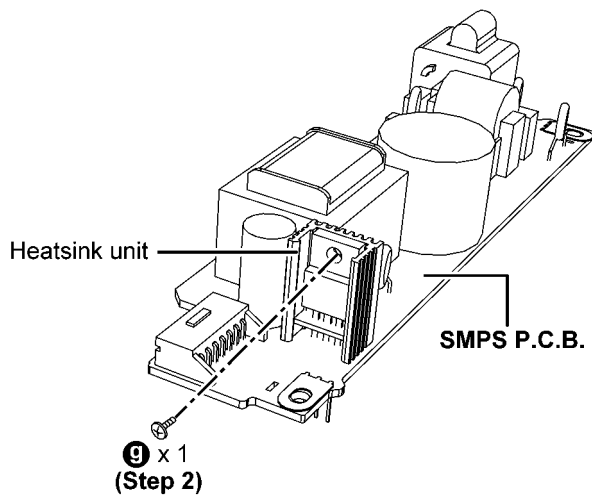
Step 1 : Desolder pins of the Diode (D1700) on the solder side of SMPS P.C.B..



Step 3 : Remove the Diode (D1700).



Step 2 : Remove 1 screw.



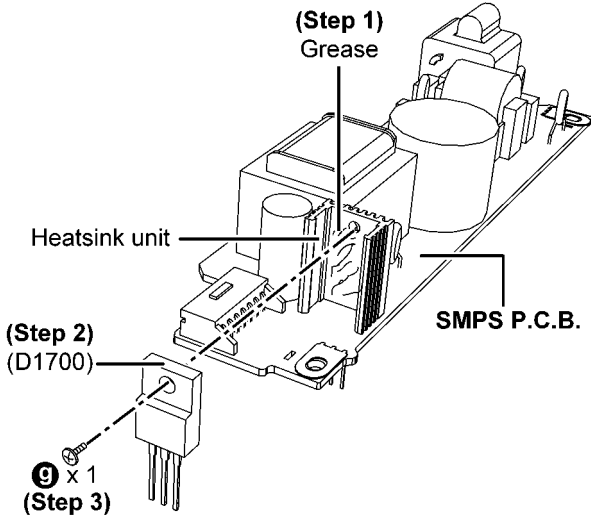
10.23.2. Assembly of Diode (D1700)

Step 1 : Apply grease to the heatsink unit.

Step 2 : Fix the Diode (D1700) onto SMPS P.C.B..

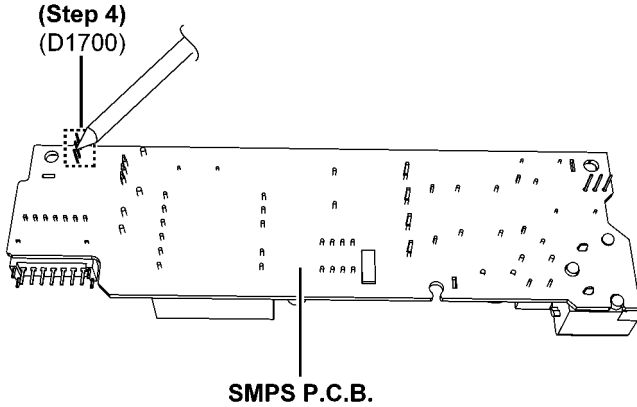
Step 3 : Fix the Diode (D1700) onto the heatsink unit with 1 screw.

Caution : Ensure the Diode (D1700) is fixed properly to the heatsink.



Step 4 : Solder pins of the Diode (D1700).

Caution : Ensure the Diode (D1700) is seated properly onto the SMPS P.C.B. before soldering.

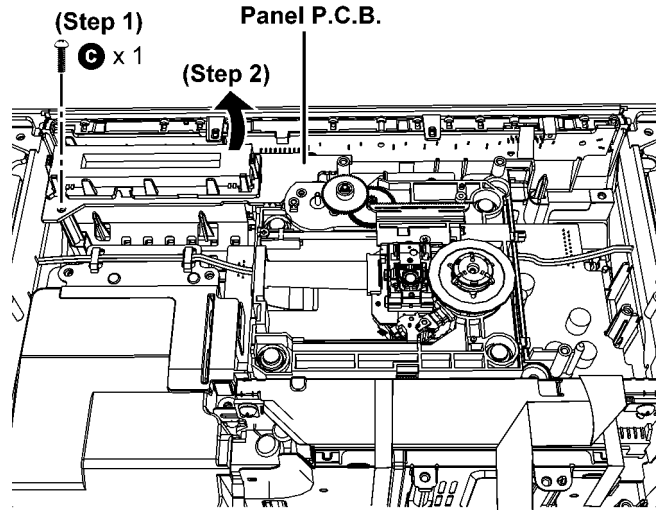


10.24. Disassembly of Panel P.C.B. & Button Ornament Unit

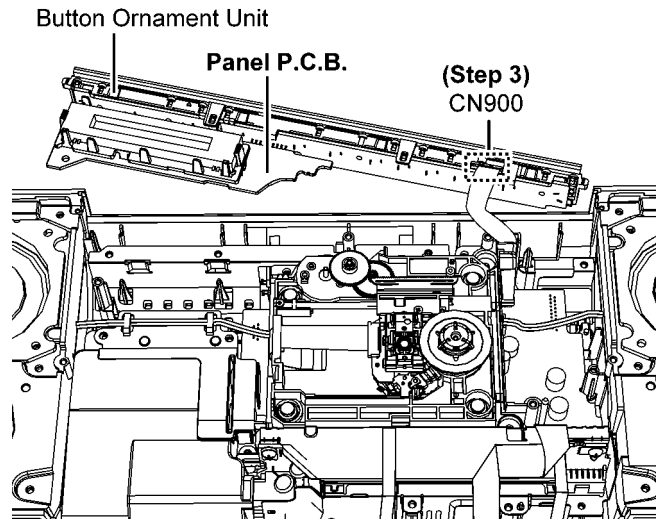
- Refer to "Disassembly of Base Stand Assembly"
- Refer to "Disassembly of Door Assembly"
- Refer to "Disassembly of Front Ornament Unit"
- Refer to "Disassembly of Front Panel Block"

Step 1 : Remove 1 screw.

Step 2 : Lift up the Panel P.C.B. together with Button Ornament Unit as shown.

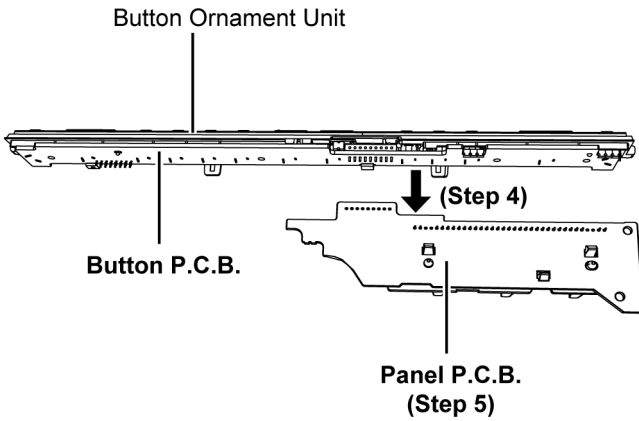


Step 3 : Detach 18P FFC at the connector (CN900) on the Button P.C.B..

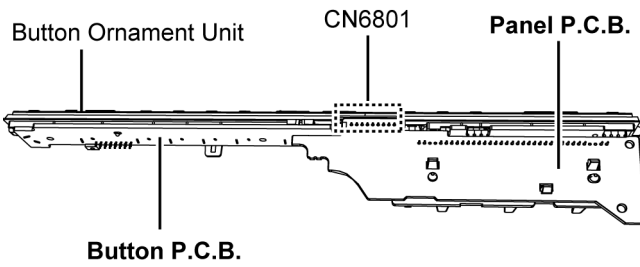


Step 4 : Detach the Panel P.C.B. from the Button Ornament unit.

Step 5 : Remove the Panel P.C.B..



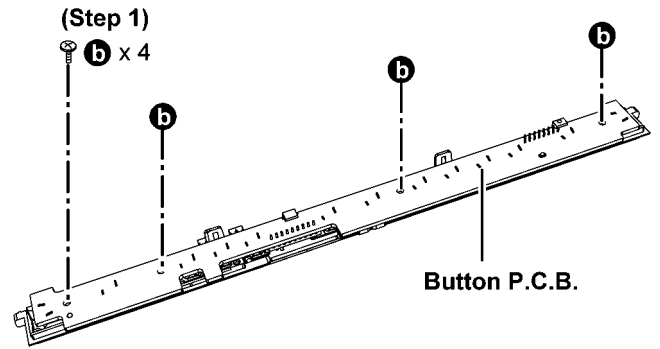
Caution : During assembling, a “click” sound could be heard when the Panel P.C.B. and the Button Ornament P.C.B. is properly connected.



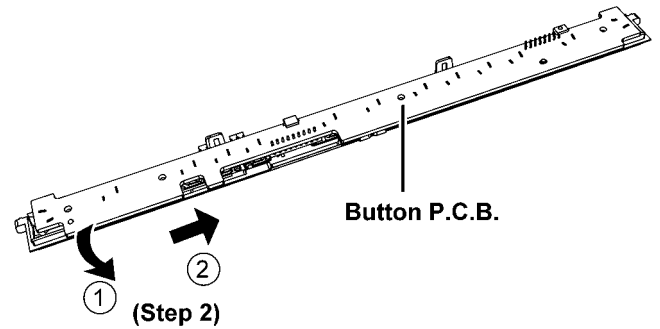
10.25. Disassembly of Button P.C.B.

- Refer to “Disassembly of Base Stand Assembly”
- Refer to “Disassembly of Door Assembly”
- Refer to “Disassembly of Front Ornament Unit”
- Refer to “Disassembly of Front Panel Block”
- Refer to “Disassembly of Panel P.C.B. & Button Ornament Unit”

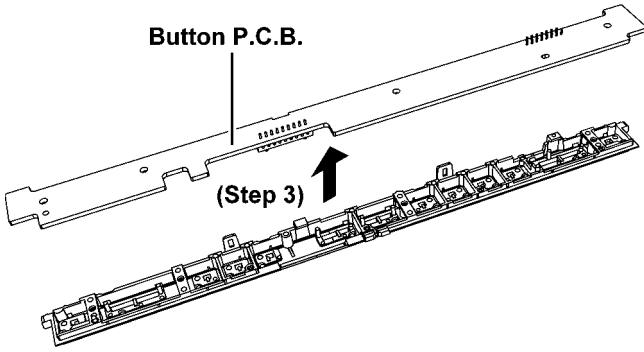
Step 1 : Remove 4 screws.



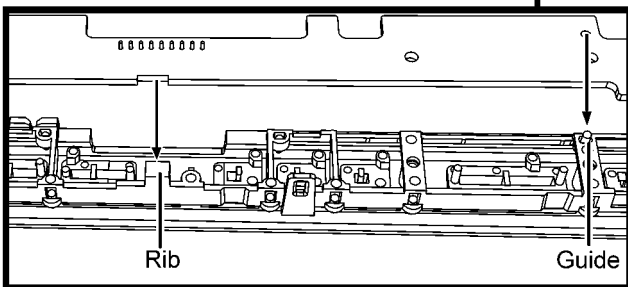
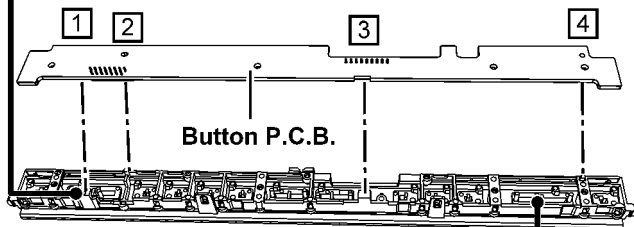
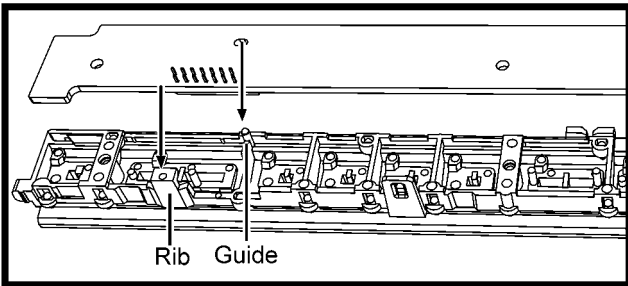
Step 2 : Lift up the Button P.C.B. in order of sequences (1) to (2) as shown.



Step 3 : Remove the Button P.C.B..



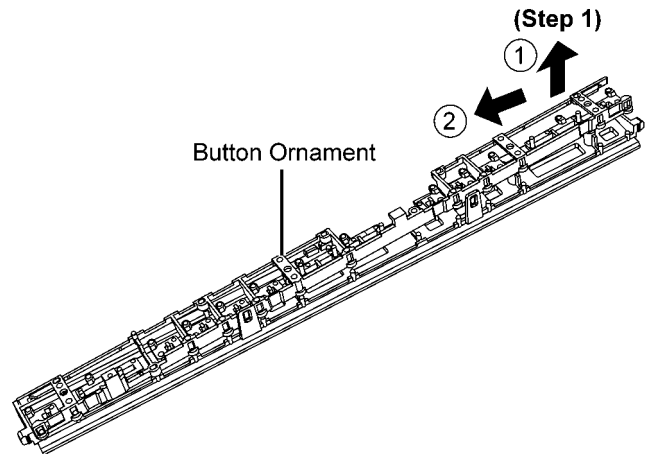
Caution: During assembling, ensure the Button P.C.B. is fully fixed into the ribs and guide by sequence from 1 to 4.



10.26. Disassembly of Button Ornament

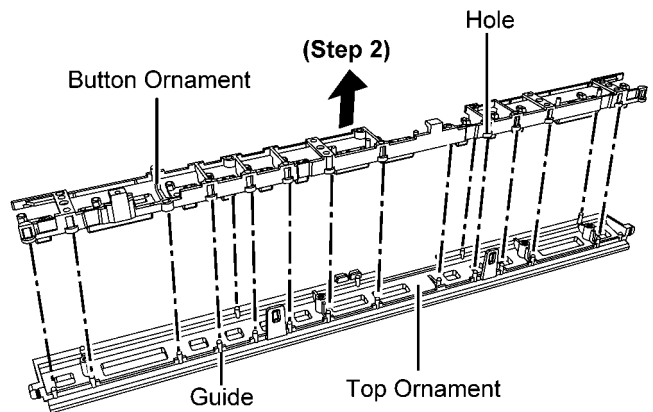
- Refer to “Disassembly of Base Stand Assembly”
- Refer to “Disassembly of Door Assembly”
- Refer to “Disassembly of Front Ornament Unit”
- Refer to “Disassembly of Front Panel Block”
- Refer to “Disassembly of Panel P.C.B. & Button Ornament Unit”
- Refer to “Disassembly of Button P.C.B.”

Step 1 : Lift up the Button Ornament in order of sequences (1) to (2) as shown.



Step 2 : Remove the Button Ornament.

Caution : During assembling, align the holes of the button ornament with the guides of the Top Ornament & press together.

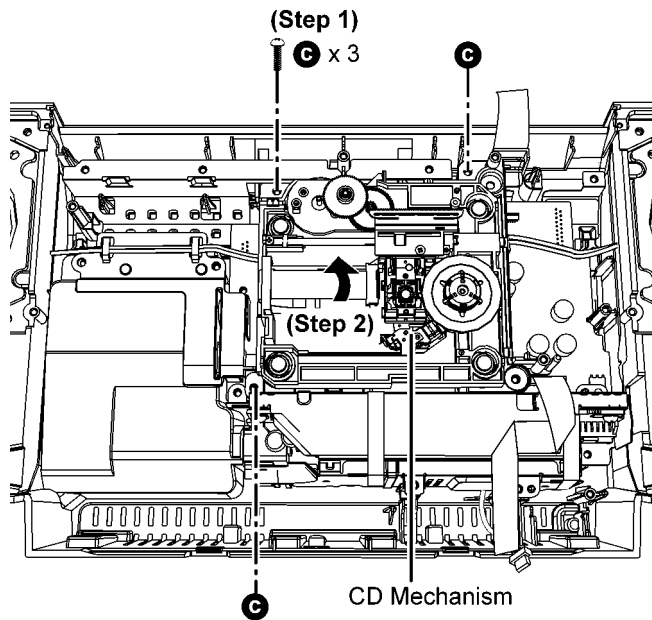


10.27. Disassembly of CD Mechanism

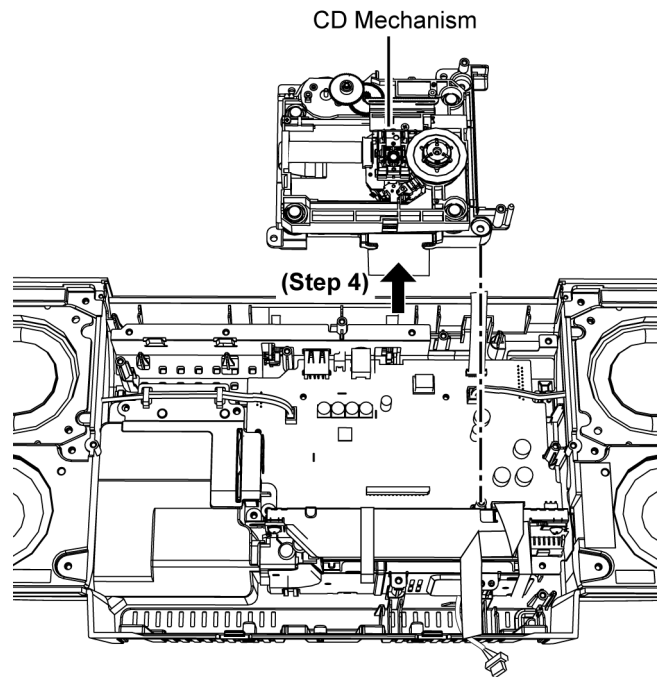
- Refer to "Disassembly of Base Stand Assembly"
- Refer to "Disassembly of Door Assembly"
- Refer to "Disassembly of Front Ornament Unit"
- Refer to "Disassembly of Front Panel Block"
- Refer to (Step 1) - (Step 3) of item 10.24.

Step 1 : Remove 3 screws.

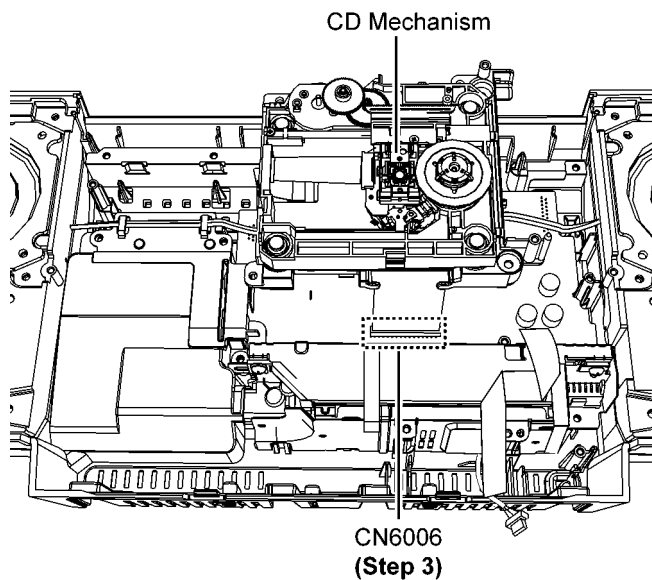
Step 2 : Slightly lift up the CD Mechanism.



Step 4 : Remove the CD Mechanism.



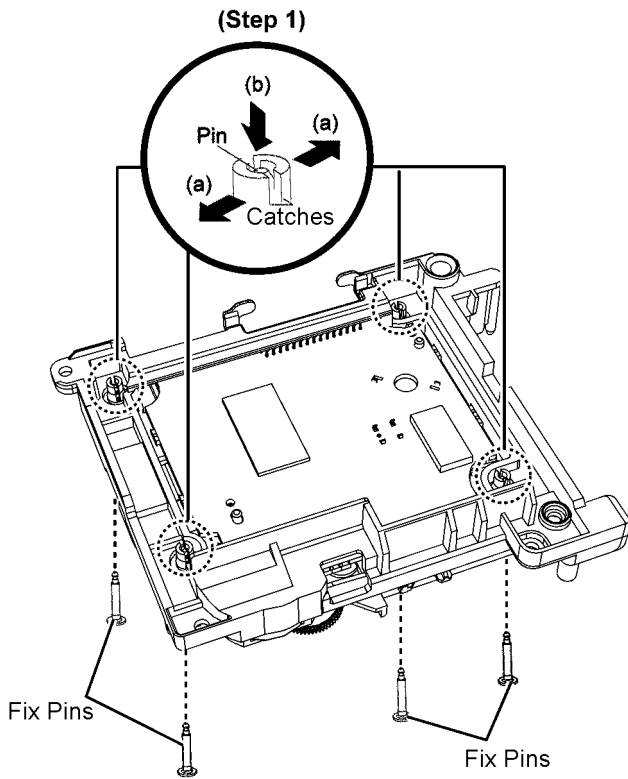
Step 3 : Detach 30P FFC at the connector (CN6006) on the Main P.C.B..



10.28. Disassembly of CD Servo P.C.B.

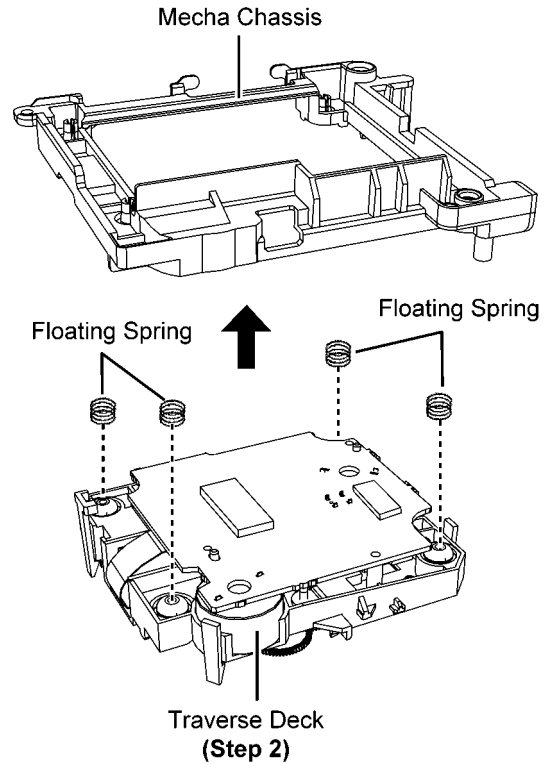
- Refer to “Disassembly of CD Mechanism”

Step 1 : Release catches and push down the fixed pins as arrow shown.

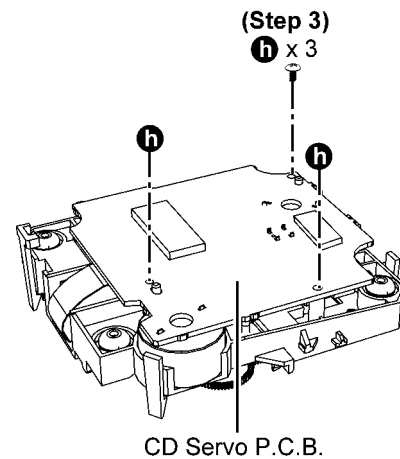


Step 2 : Lift up the Mecha Chassis & remove the Floating Springs.

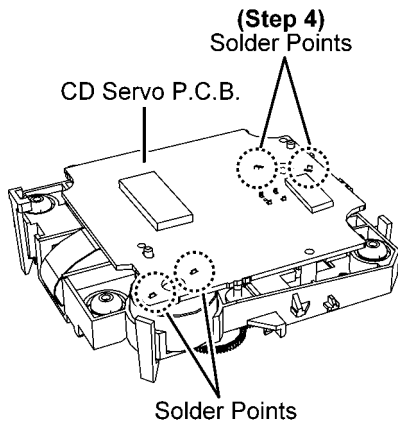
Caution : Keep the Floating Springs in safe place and place them back during assembling.



Step 3 : Remove 3 screws.

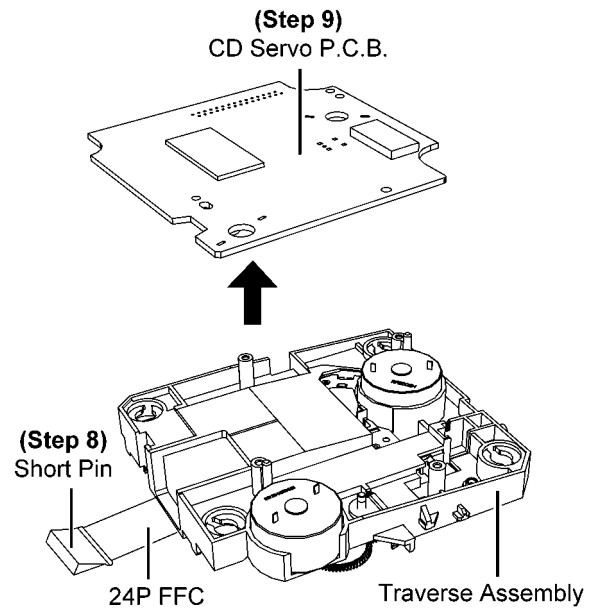


Step 4 : Desolder points on the solder side of the CD Servo P.C.B..



Step 8 : Attach short pin to the 24P FFC of the Traverse Assembly.

Step 9 : Remove the CD Servo P.C.B..

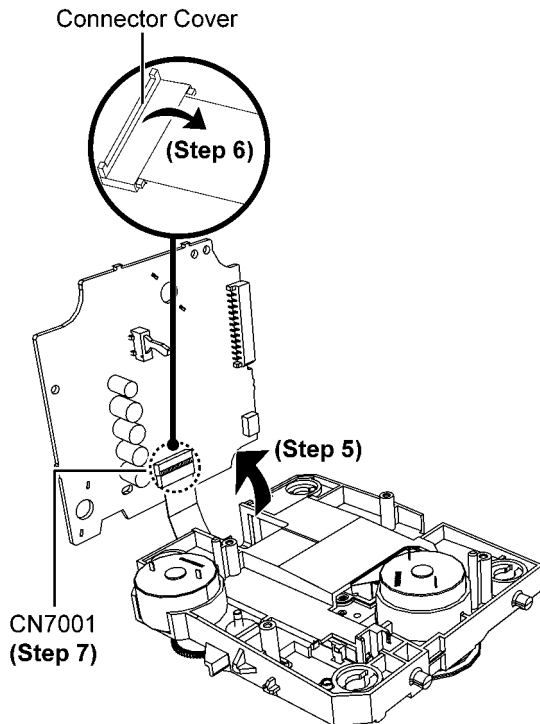


Step 5 : Upset the CD Servo P.C.B..

Step 6 : Lift up the Connector Cover.

Caution : Do not use strong force as it may damage the connector cover.

Step 7 : Detach 24P FFC at the connector (CN7001) from the CD Servo P.C.B..

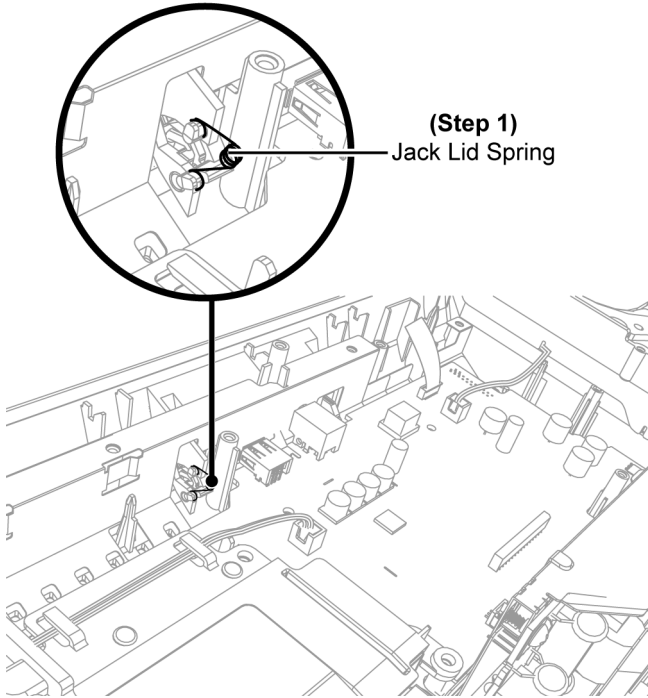


10.29. Disassembly of Jack Lid

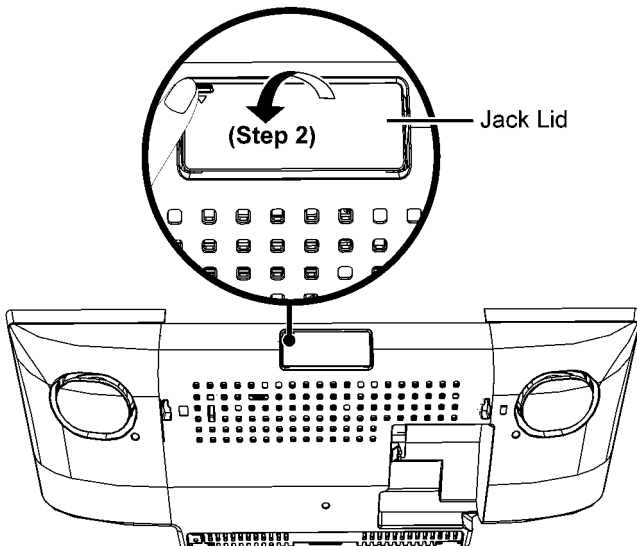
- Refer to “Disassembly of Base Stand Assembly”
- Refer to “Disassembly of Door Assembly”
- Refer to “Disassembly of Front Ornament Unit”
- Refer to “Disassembly of Front Panel Block”
- Refer to (Step 1) - (Step 3) of item 10.24.
- Refer to “Disassembly of CD Mechanism”

Step 1 : Release the Jack Lid Spring.

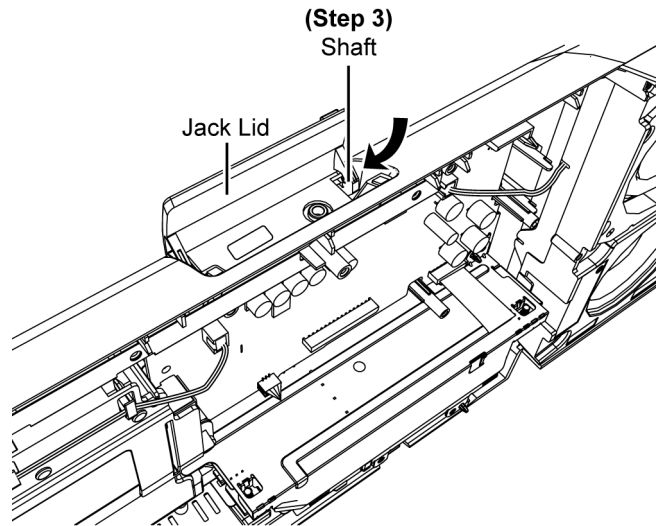
Caution : Keep the Jack Lid Spring in safe place and place them back during assembling.



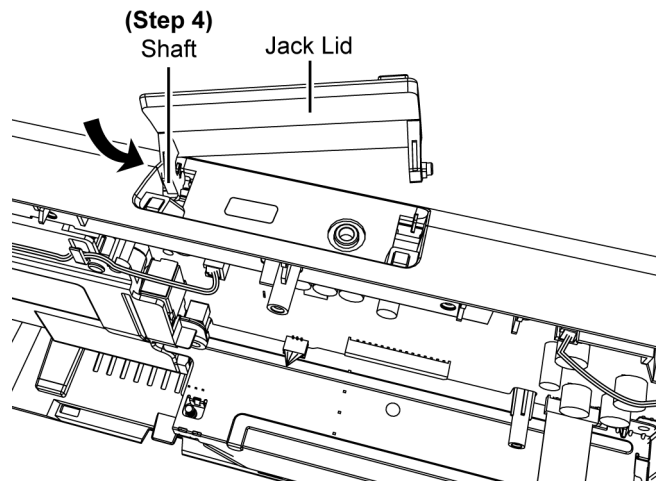
Step 2 : Press to open the Jack Lid.



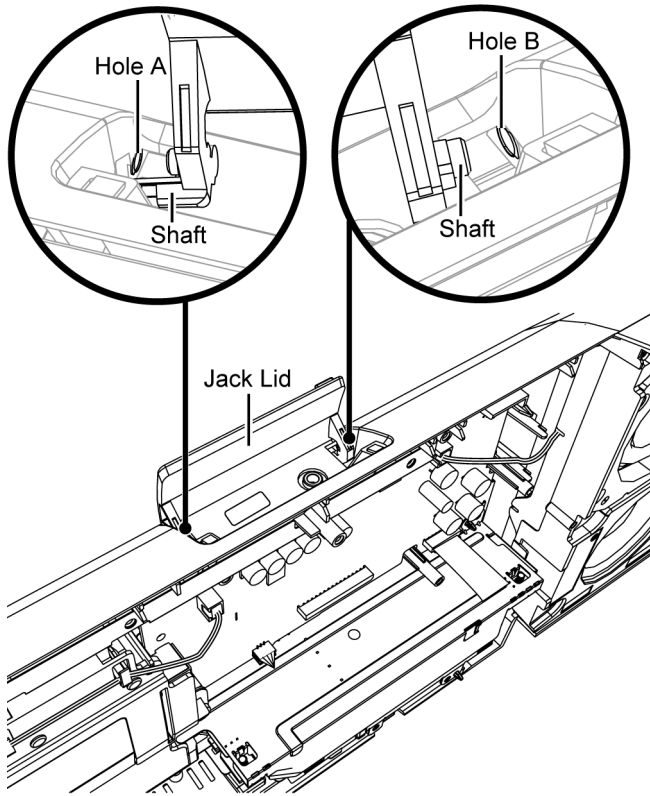
Step 3 : Push the shaft of the Jack Lid inwards in the direction as shown.



Step 4 : Lift up to remove the Jack Lid in the direction as shown.



Caution : During assembling, insert the shaft of the Jack Lid into hole A, then press & push the shaft into hole B.



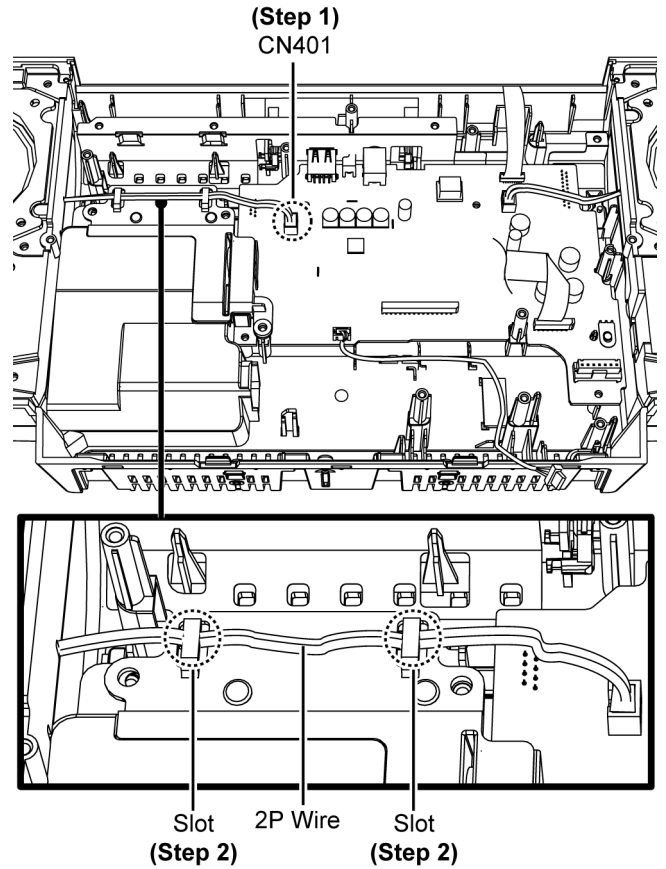
10.30. Disassembly of Main P.C.B.

- Refer to "Disassembly of Base Stand Assembly"
- Refer to "Disassembly of Door Assembly"
- Refer to "Disassembly of Front Ornament Unit"
- Refer to "Disassembly of Front Panel Block"
- Refer to (Step 1) - (Step 4) of item 10.22.
- Refer to (Step 1) - (Step 3) of item 10.24.
- Refer to "Disassembly of CD Mechanism"

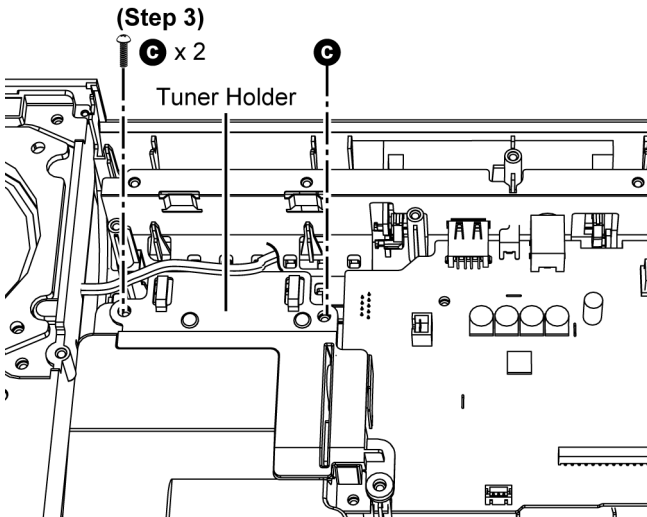
Step 1 : Detach 2P wire at the connector (CN401) on the Main P.C.B..

Step 2 : Release the 2P wire from the slots.

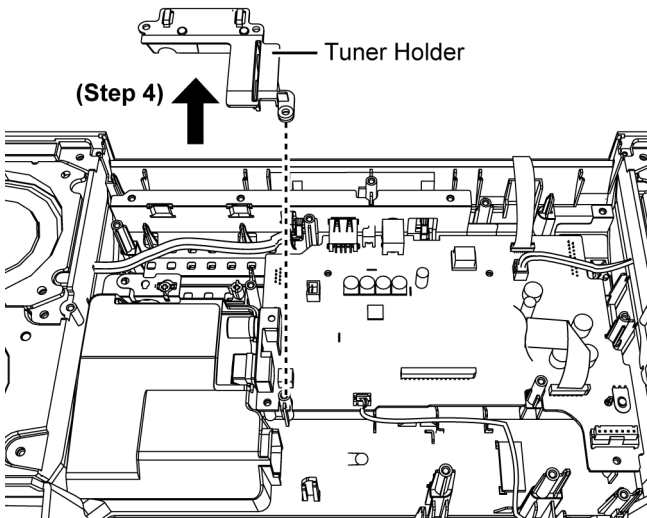
Caution : During assembling, dressed the 2P wire into the slots.



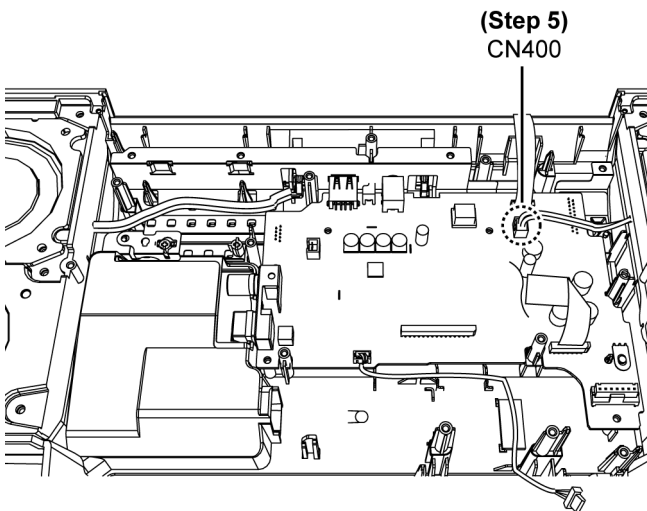
Step 3 : Remove 2 screws.



Step 4 : Remove the Tuner Holder.



Step 5 : Detach 2P wire at the connector (CN400) on the Main P.C.B..

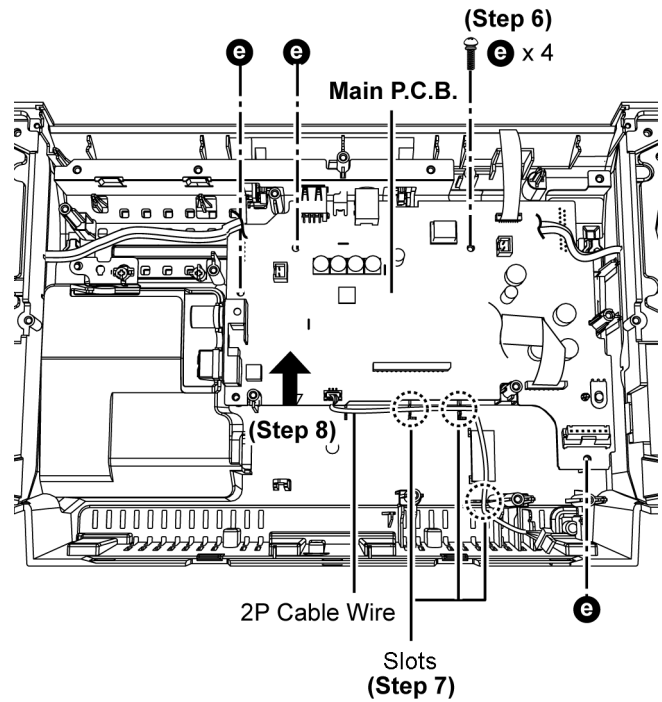


Step 6 : Remove 4 screws.

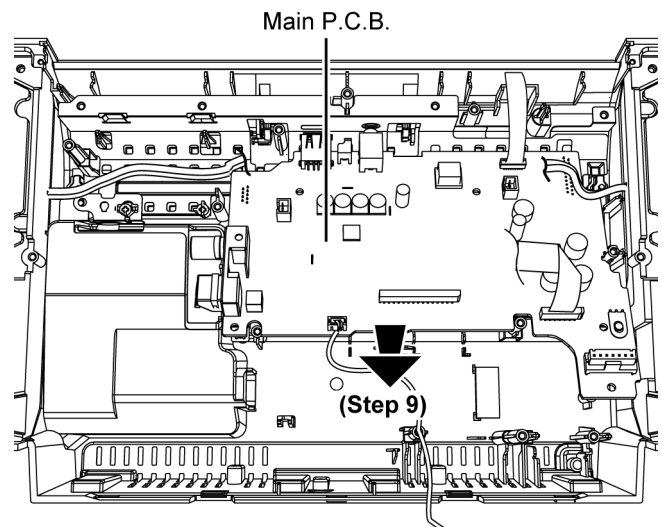
Step 7 : Release the 2P Cable Wire from the slots.

Caution : During assembling, dressed the 2P cable wire into the slots.

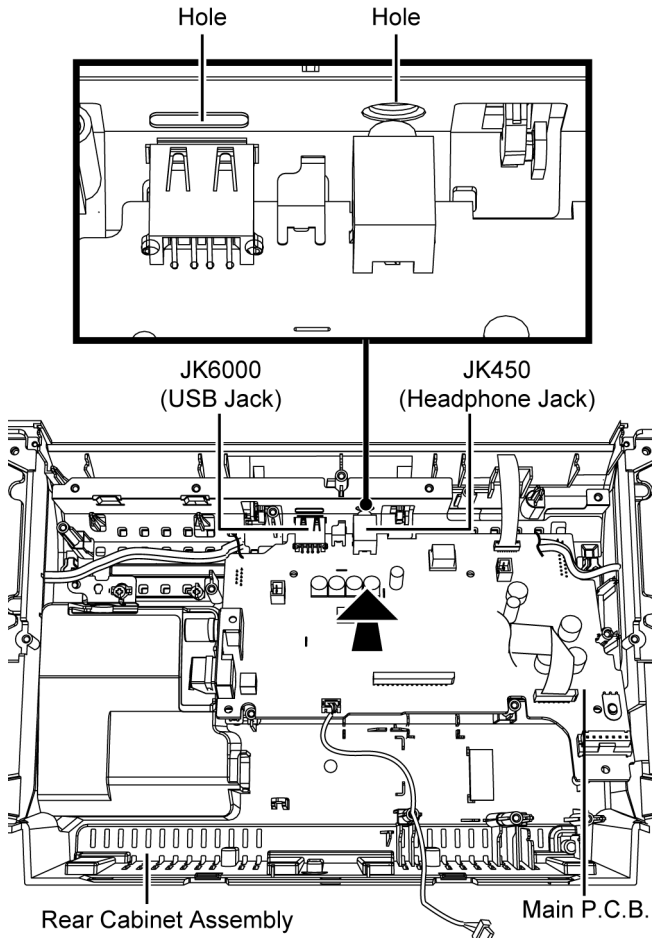
Step 8 : Slightly lift up the Main P.C.B..



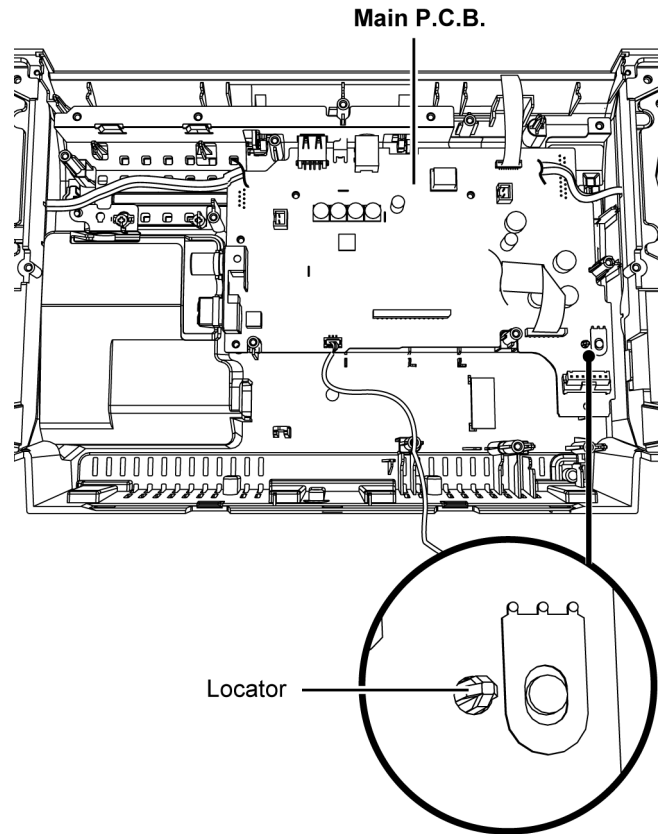
Step 9 : Remove the Main P.C.B. as shown.



Caution 1 : During assembling, ensure the Headphone Jack (JK450) & USB Jack (JK6000) are inserted into the holes of Rear Cabinet Assembly as shown.



Caution 2 : During assembling, align the Main P.C.B. with the locator & ensure it is properly seated.



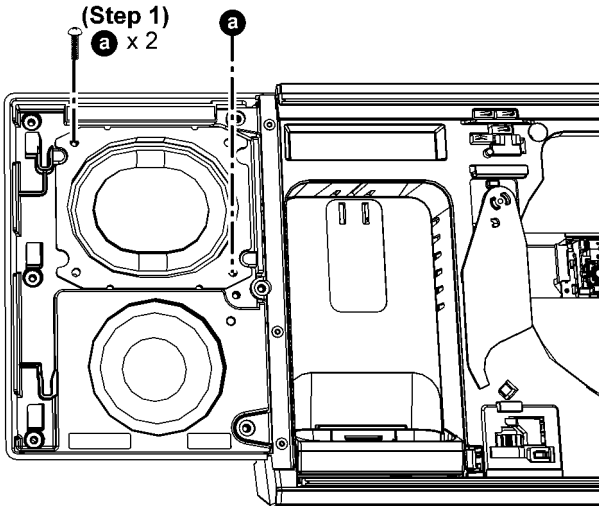
10.31. Disassembly of Passive Radiator (SP3 & SP4)

Note : Passive Radiator (SP3 & SP4) have the same mechanical structure. For disassembling of Passive Radiator (SP4), repeat the (Step 1) to (step 2) of 10.31..

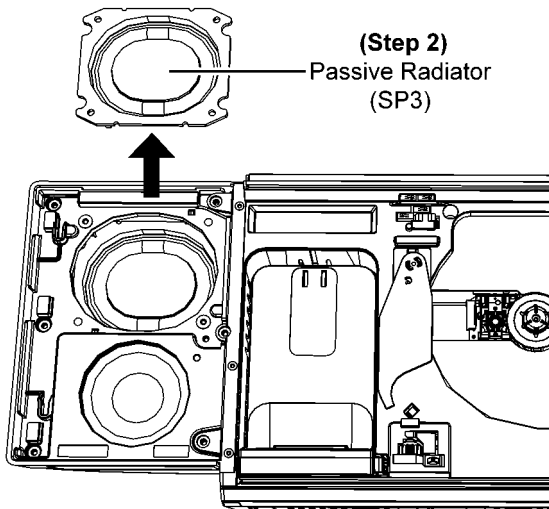
Below illustrated Passive Radiator (SP3)

- Refer to "Disassembly of Base Stand Assembly"
- Refer to "Disassembly of Door Assembly"
- Refer to "Disassembly of Front Ornament Unit"

Step 1 : Remove 2 screws.



Step 2 : Remove the Passive Radiator (SP3).



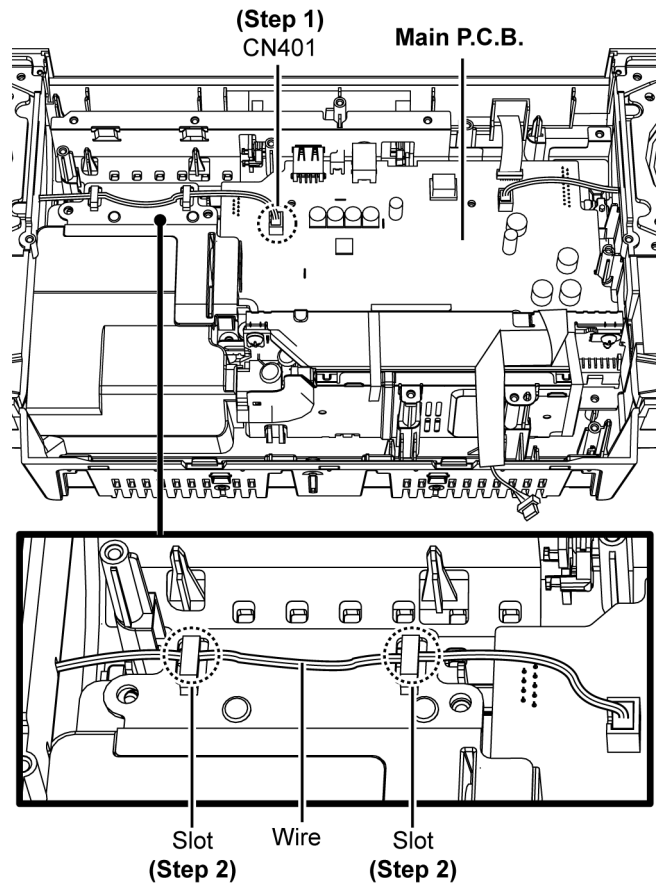
10.32. Disassembly of Front Speaker (SP1)

- Refer to "Disassembly of Base Stand Assembly"
- Refer to "Disassembly of Door Assembly"
- Refer to "Disassembly of Front Ornament Unit"
- Refer to "Disassembly of Front Panel Block"
- Refer to (Step 1) - (Step 3) of item 10.24.
- Refer to "Disassembly of CD Mechanism"

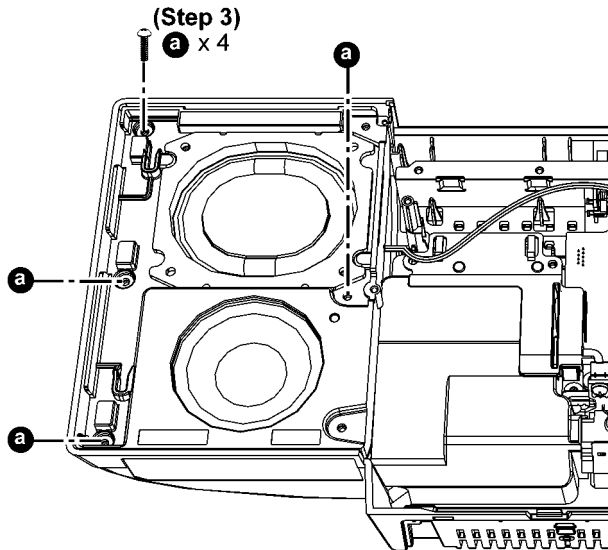
Step 1 : Detach 2P wire at the connector (CN401) on the Main P.C.B..

Step 2 : Release the 2P wire from the slots.

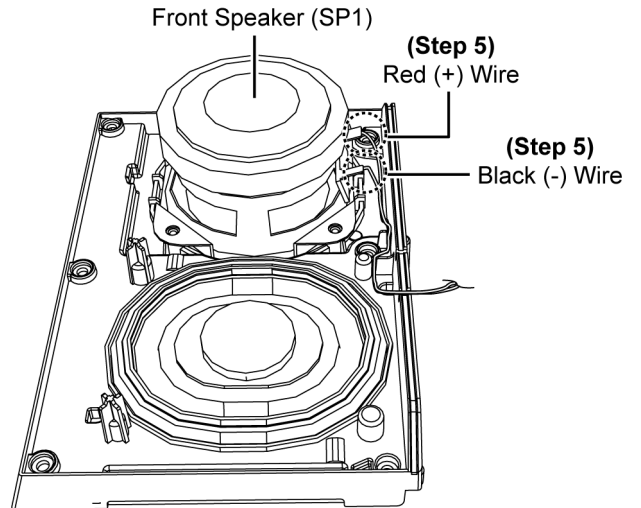
Caution : During assembling, dressed the 2P wire into the slots as shown.



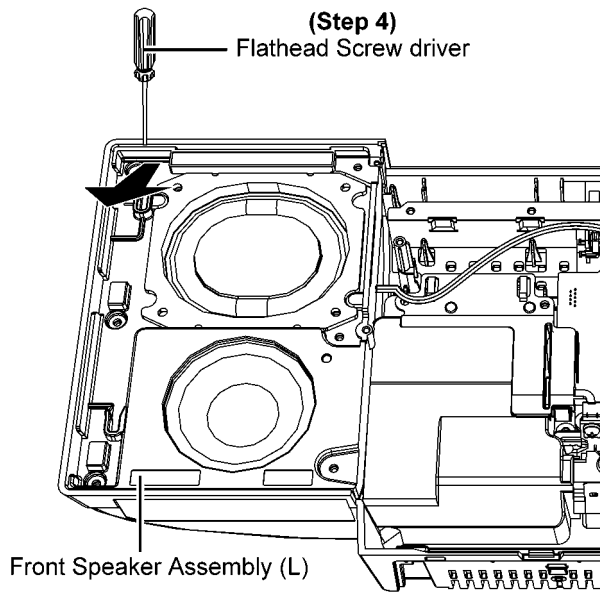
Step 3 : Remove 4 screws.



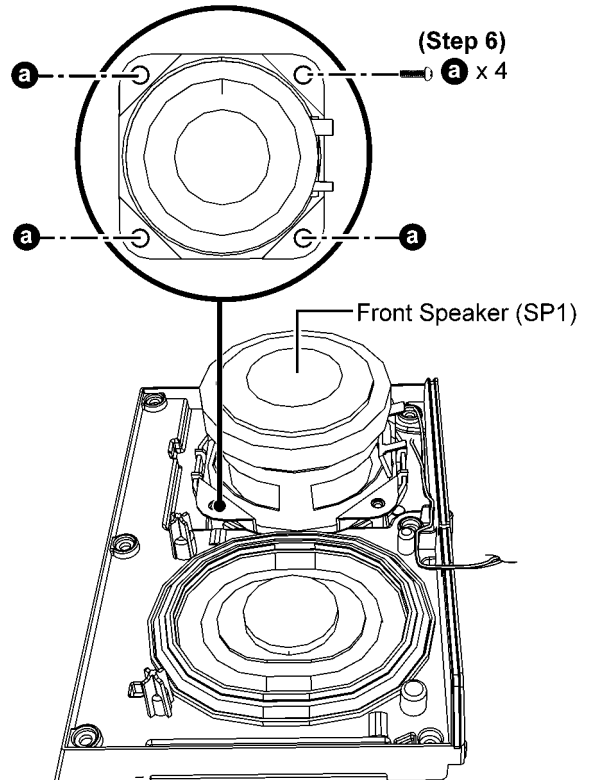
Step 5 : Desolder the red (+) wire and black (-) wire at the terminals on the Front Speaker (SP1).



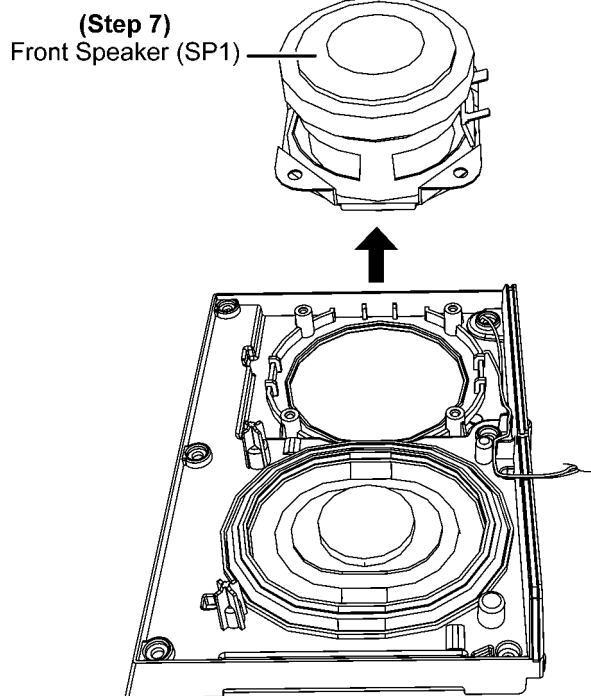
Step 4 : Lift up the Front Speaker Assembly (L) using a flat-head screw driver.



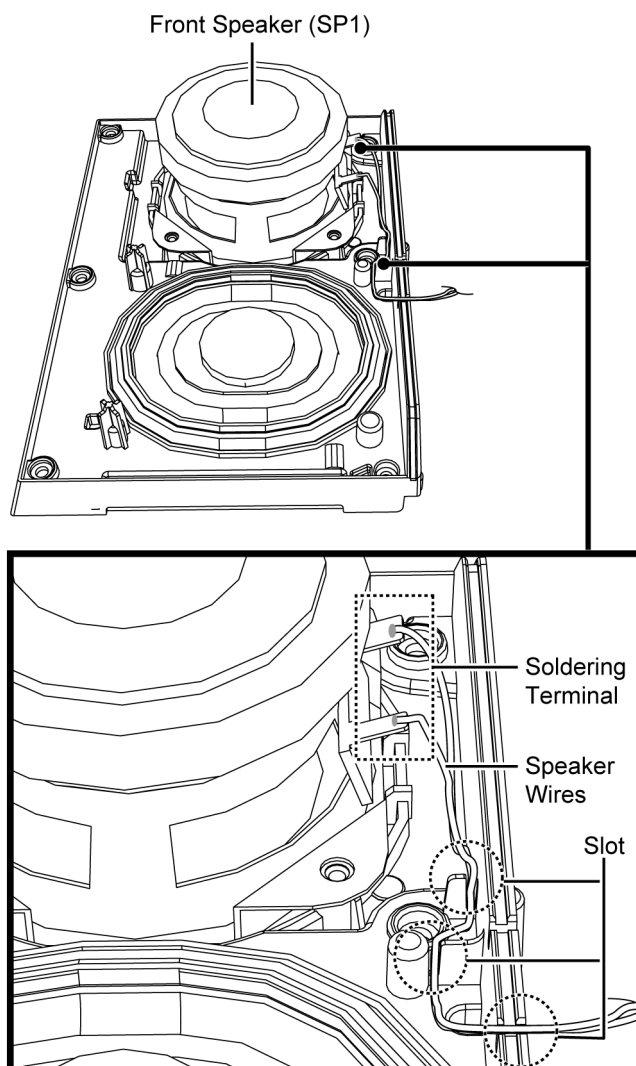
Step 6 : Remove 4 screws.



Step 7 : Remove the Front Speaker (SP1).



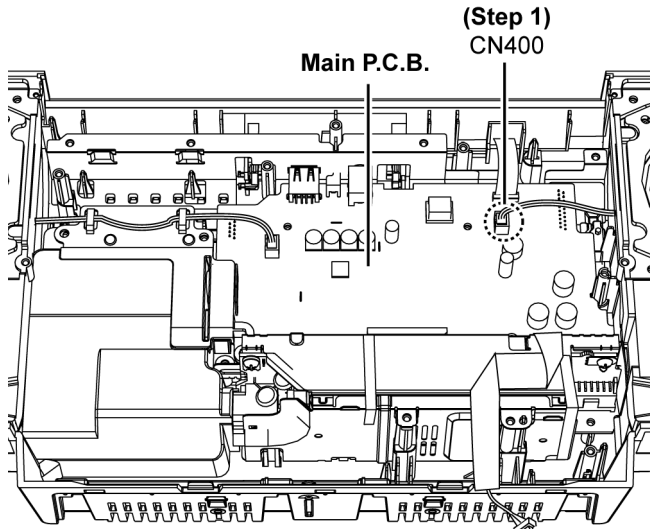
Caution 1 : During assembling, ensure the speaker wires is soldered properly. Check for dry joints.
Caution 2 : During assembling, dressed the speaker wires into the slots.



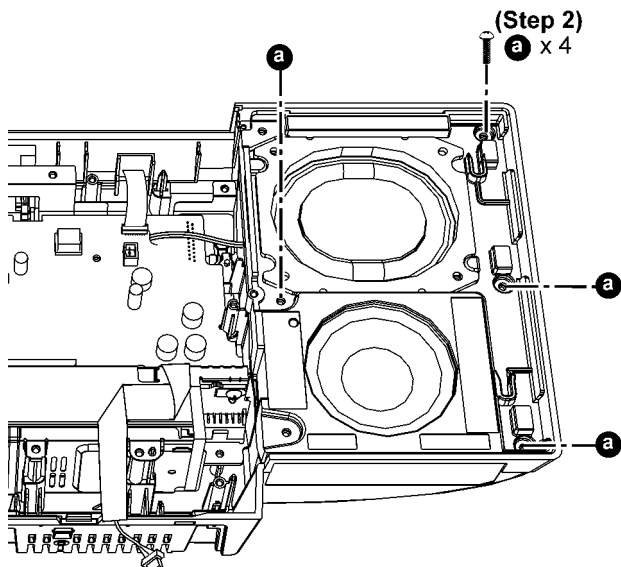
10.33. Disassembly of Front Speaker (SP2)

- Refer to "Disassembly of Base Stand Assembly"
- Refer to "Disassembly of Door Assembly"
- Refer to "Disassembly of Front Ornament Unit"
- Refer to "Disassembly of Front Panel Block"
- Refer to (Step 1) - (Step 3) of item 10.24.
- Refer to "Disassembly of CD Mechanism"

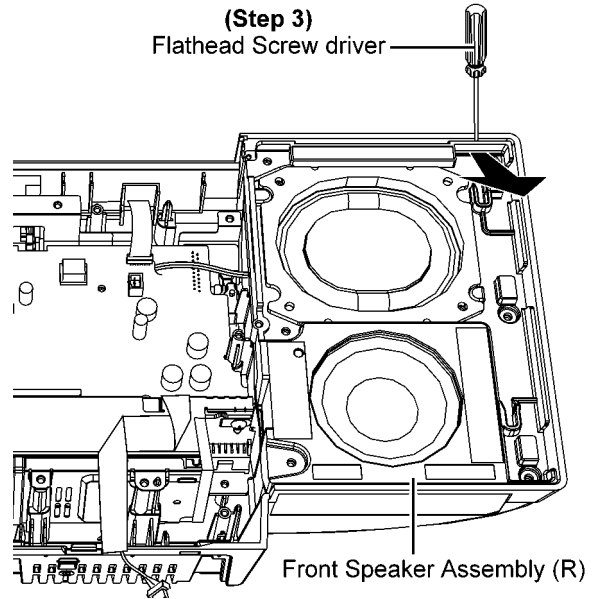
Step 1 : Detach 2P wire at the connector (CN400) on the Main P.C.B..



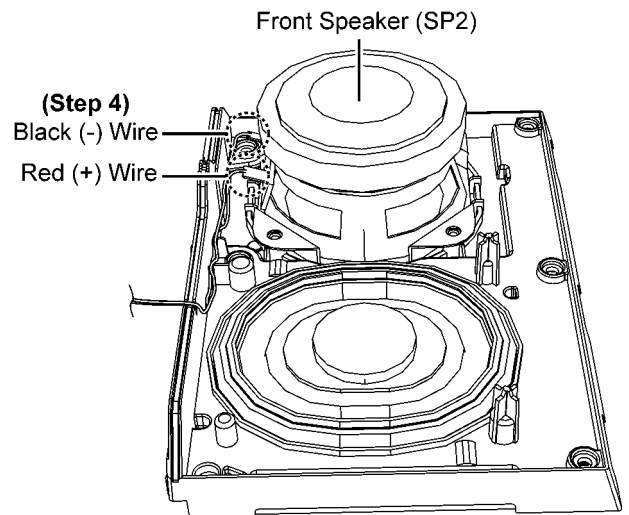
Step 2 : Remove 4 screws.



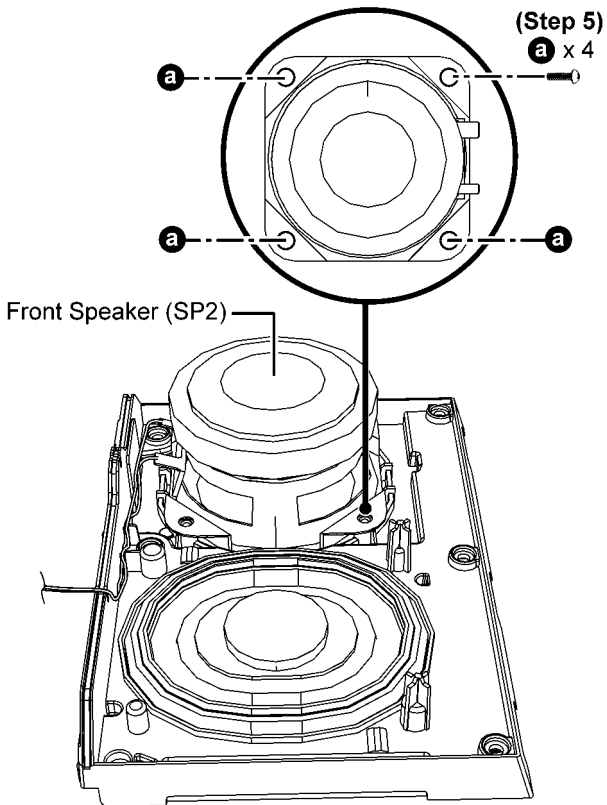
Step 3 : Lift up the Front Speaker Assembly (R) using a Flat-head screw driver.



Step 4 : Desolder the red (+) wire and black (-) wire at the terminals on the Front Speaker (SP2).

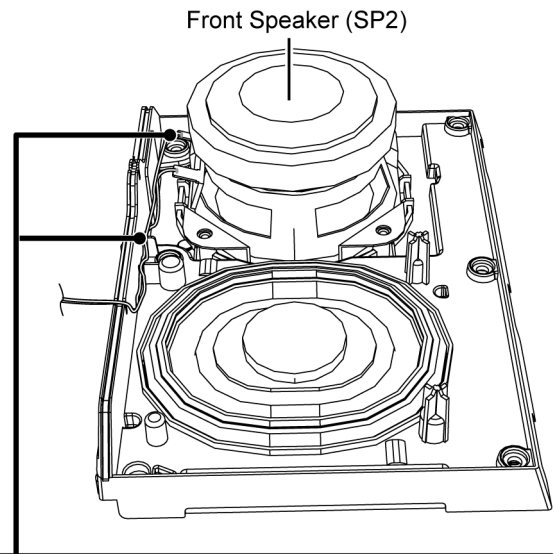


Step 5 : Remove 4 screws.

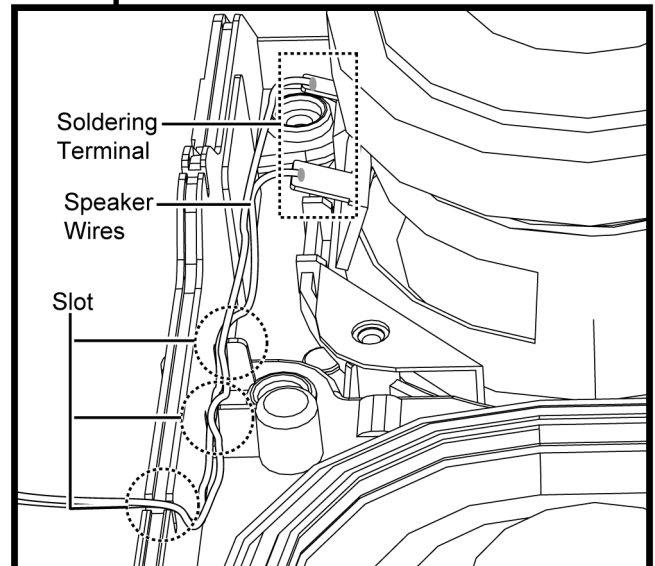
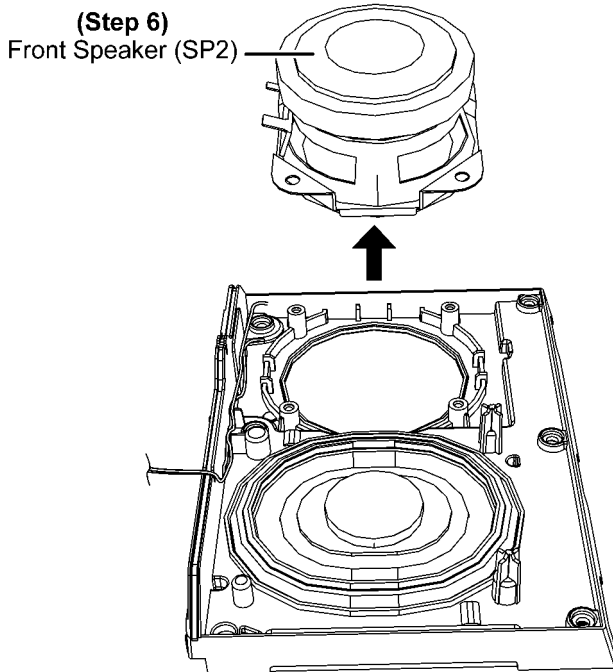


Caution 1 : During assembling, ensure the speaker wires is soldered properly. Check for dry joints.

Caution 2 : During assembling, dressed the speaker wires into the slots.



Step 6 : Remove the Front Speaker (SP2).



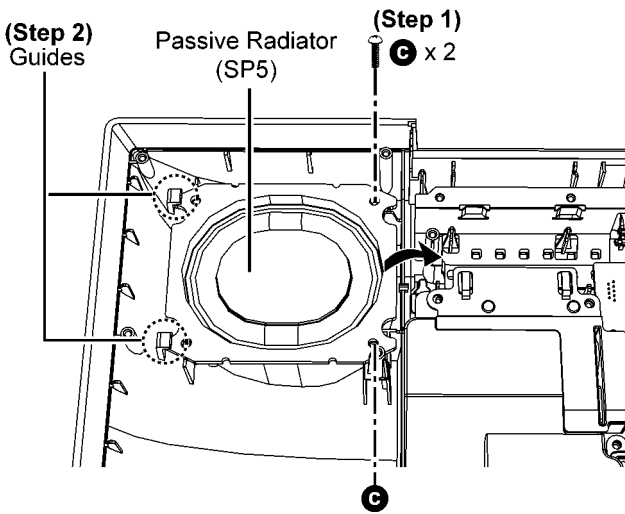
10.34. Disassembly of Passive Radiator (SP5)

- Refer to "Disassembly of Base Stand Assembly"
- Refer to "Disassembly of Door Assembly"
- Refer to "Disassembly of Front Ornament Unit"
- Refer to "Disassembly of Front Panel Block"
- Refer to (Step 1) - (Step 3) of item 10.24.
- Refer to "Disassembly of CD Mechanism"
- Refer to (Step 1) - (Step 4) of item 10.32.

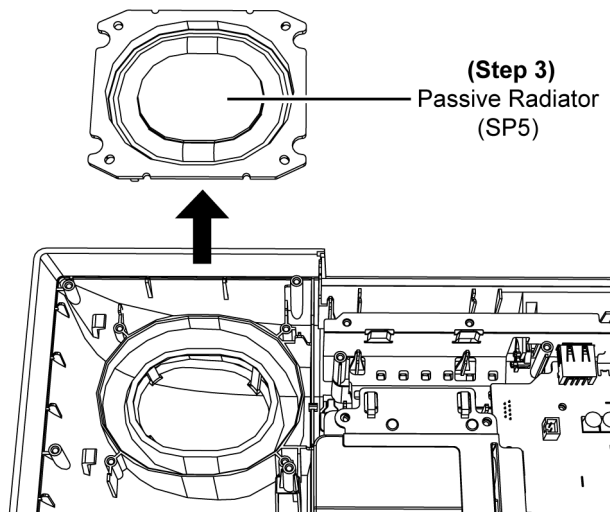
Step 1 : Remove 2 screws.

Step 2 : Slightly lift up the Passive Radiator (SP5) as shown.

Caution : During assembling, ensure the Passive Radiator (SP5) is seated under the guides as shown.



Step 3 : Remove the Passive Radiator (SP5).



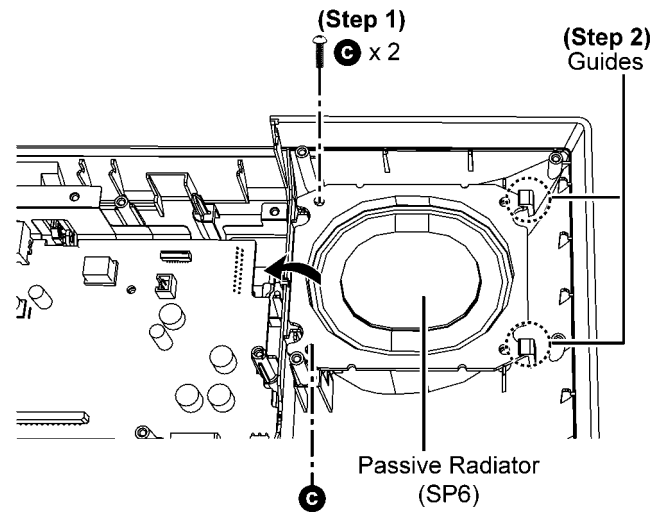
10.35. Disassembly of Passive Radiator (SP6)

- Refer to "Disassembly of Base Stand Assembly"
- Refer to "Disassembly of Door Assembly"
- Refer to "Disassembly of Front Ornament Unit"
- Refer to "Disassembly of Front Panel Block"
- Refer to (Step 1) - (Step 3) of item 10.24.
- Refer to "Disassembly of CD Mechanism"
- Refer to (Step 1) - (Step 3) of item 10.33.

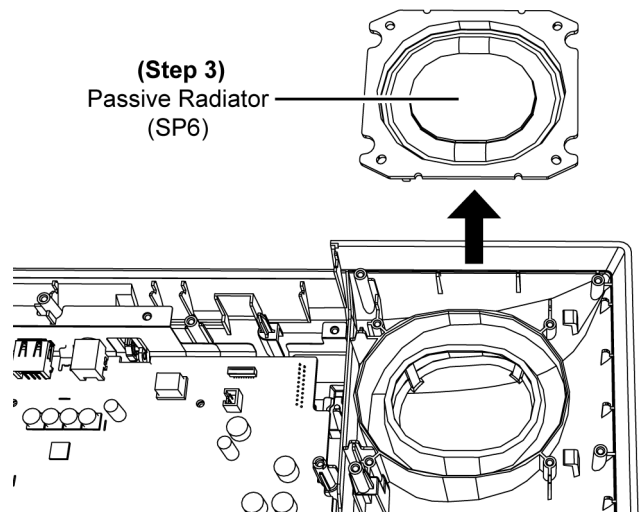
Step 1 : Remove 2 screws.

Step 2 : Slightly lift up the Passive Radiator (SP6) as shown.

Caution : During assembling, ensure the Passive Radiator (SP6) is seated under the guides as shown.



Step 3 : Remove the Passive Radiator (SP6).



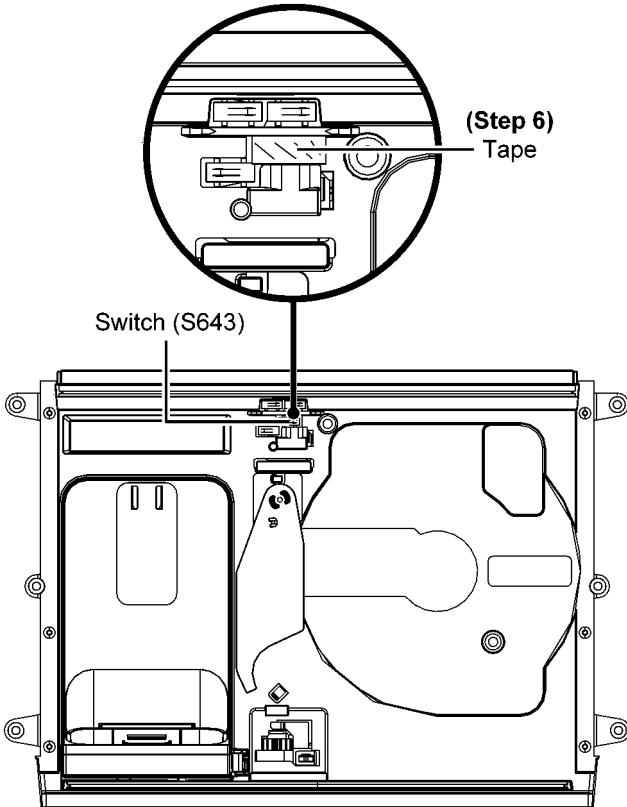
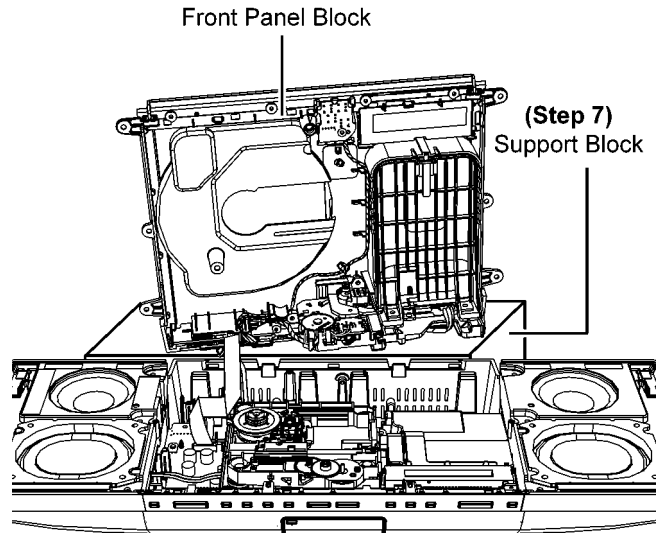
11 Service Position

Note: For description of the disassembly procedures, see the Section 10

11.1. Checking & Repairing of SMPS P.C.B.

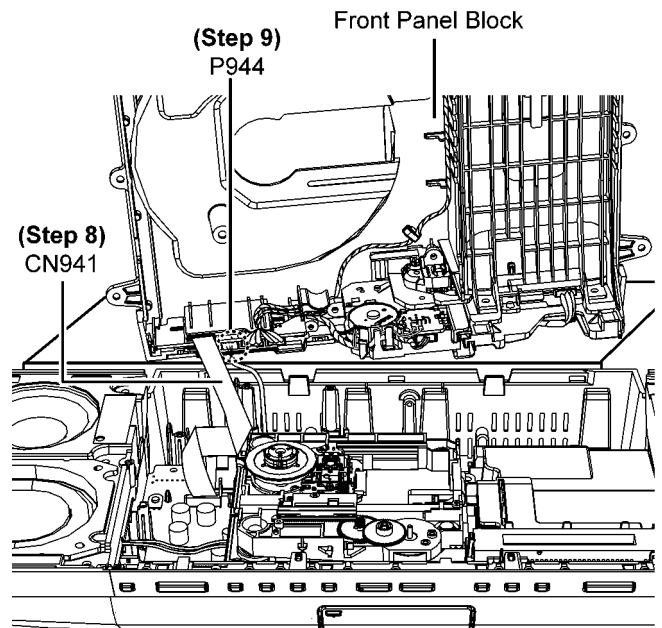
- Step 1 : Remove the Base Stand Assembly.
- Step 2 : Remove the Door Assembly.
- Step 3 : Remove the Front Ornament Unit.
- Step 4 : Remove the Front Panel Block.
- Step 5 : Remove the SMPS P.C.B..
- Step 6 : Use a tape to keep the centre switch (S643) pressed.

Step 7 : Place a Support Block to support the Front Panel Block as shown.



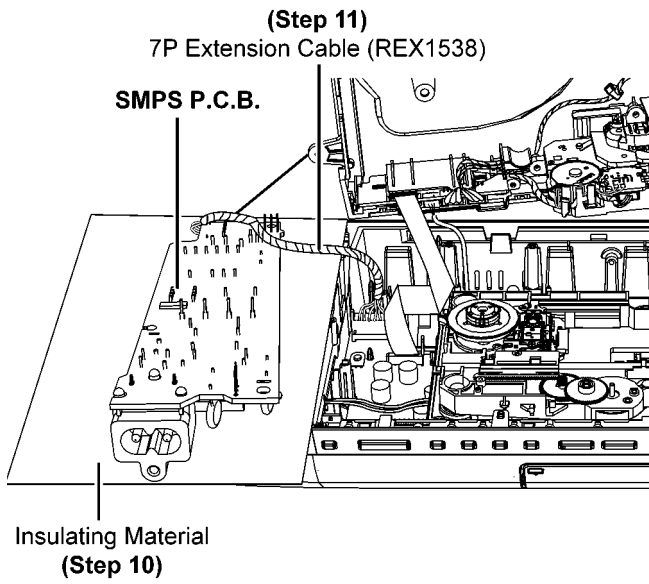
Step 8 : Connect 14P FFC at the connector (CN941) on Remote Sensor P.C.B..

Step 9 : Connect 5P wire at the connector (P944) on Remote Sensor P.C.B..

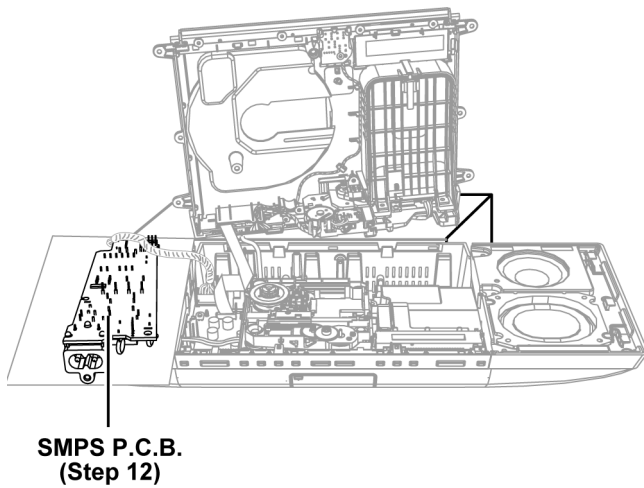


Step 10 : Place the SMPS P.C.B. on the Insulating Material.

Step 11 : Connect 7P extension cable (REX1538) from P1700 on the SMPS P.C.B. to CN1100 on the Main P.C.B..



Step 12 : Check and repair the SMPS P.C.B. according to the diagram shown.



11.2. Checking & Repairing of Panel P.C.B.

Step 1 : Remove the Base Stand Assembly.

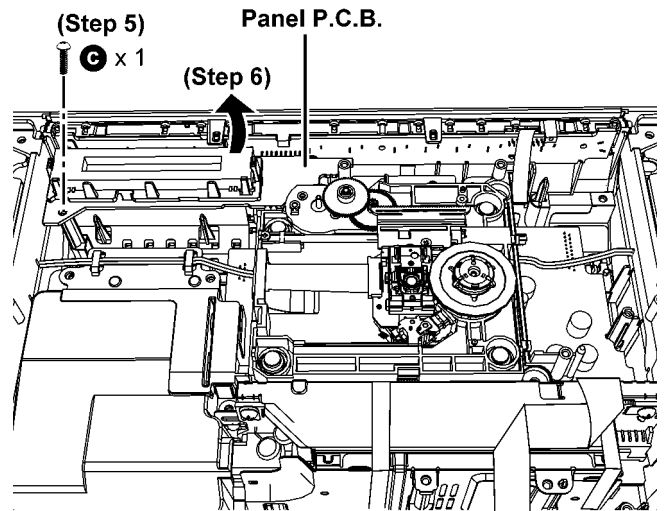
Step 2 : Remove the Door Assembly.

Step 3 : Remove the Front Ornament Unit.

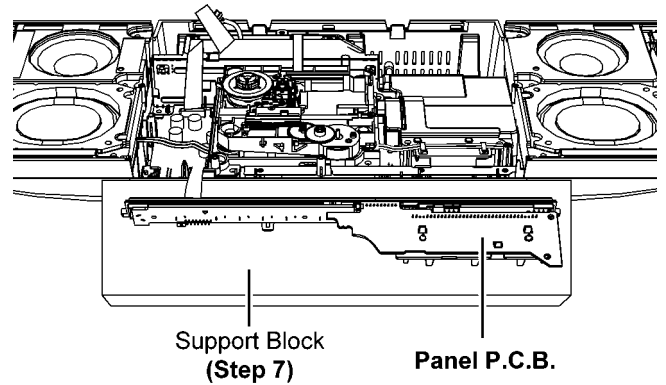
Step 4 : Remove the Front Panel Block.

Step 5 : Remove 1 screw.

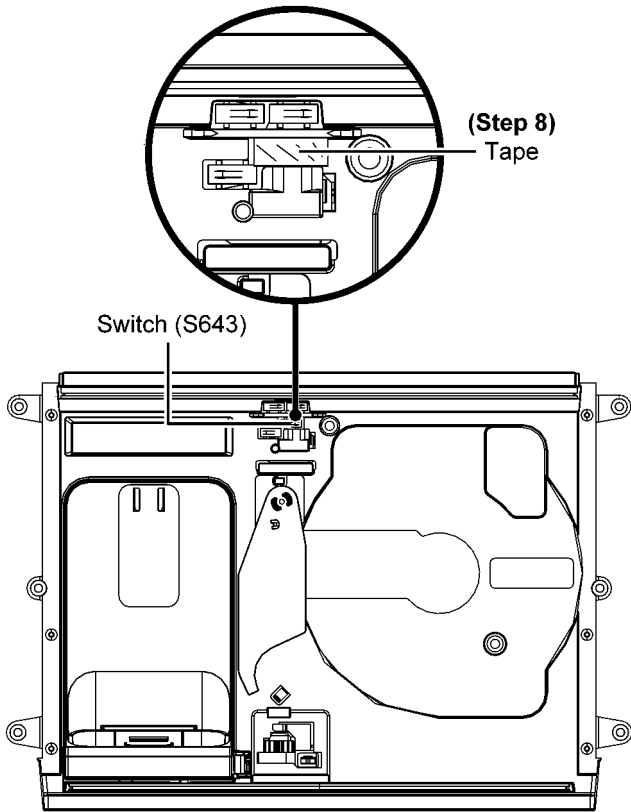
Step 6 : Lift up the Panel P.C.B. with Button Ornament Unit as shown.



Step 7 : Place the Panel P.C.B. on the Support Block.

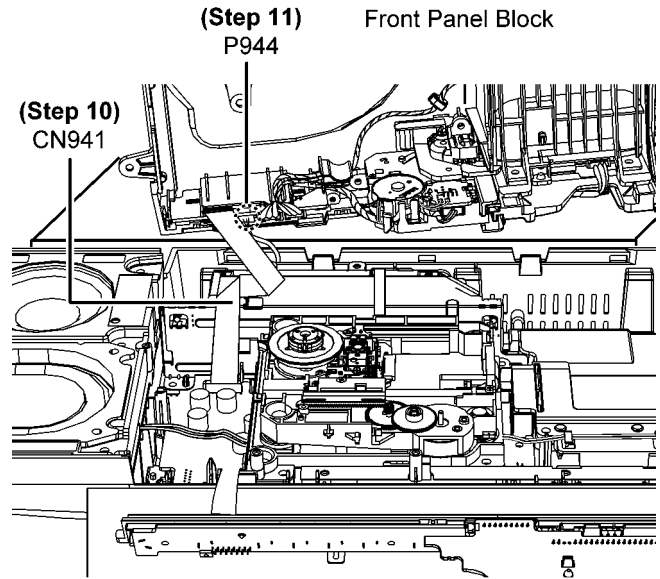


Step 8 : Use a tape to keep the centre switch (S643) pressed.

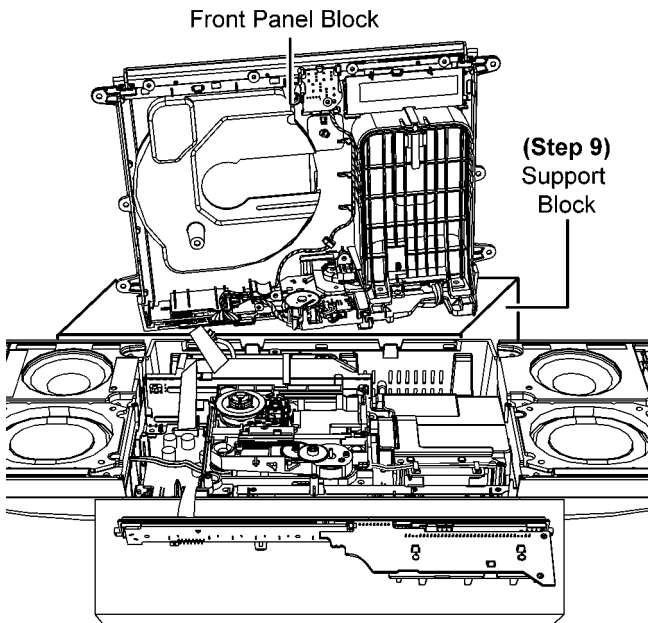


Step 10 : Connect 14P FFC at the connector (CN941) on Remote Sensor P.C.B..

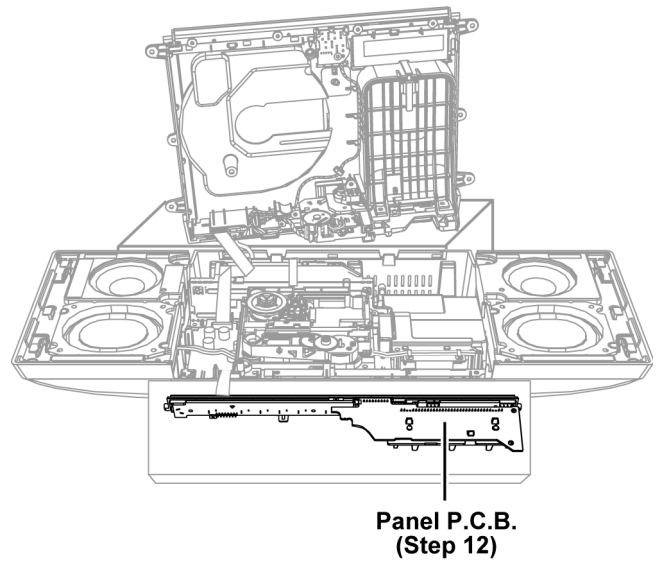
Step 11 : Connect 5P wire at the connector (P944) on Remote Sensor P.C.B..



Step 9 : Place the Support Block to support the Front Panel Block as shown.



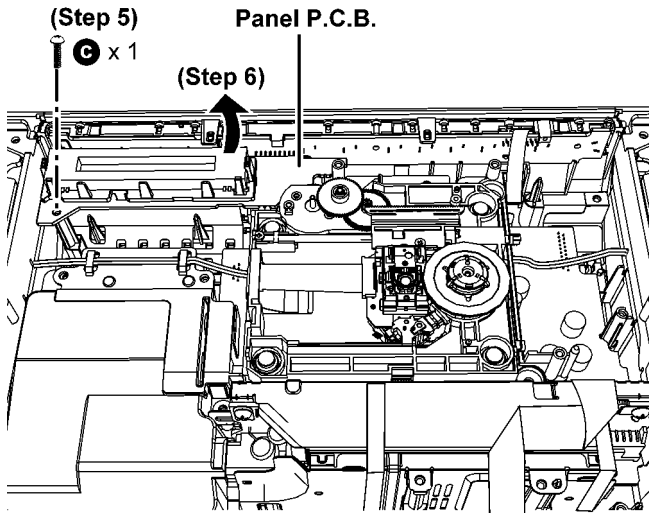
Step 12 : Check and repair the Panel P.C.B. according to the diagram shown.



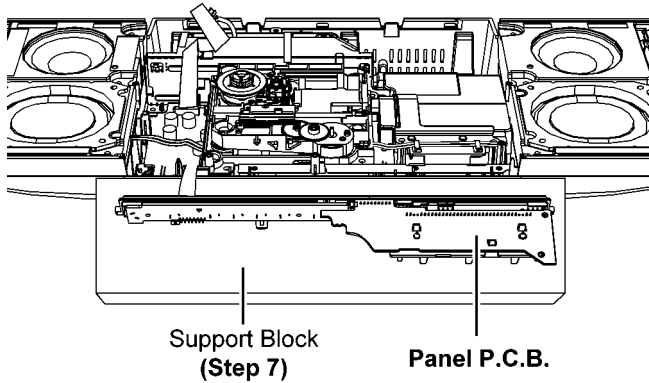
11.3. Checking & Repairing of CD Servo P.C.B.

Note : Insert CD before Checking the CD Servo P.C.B.

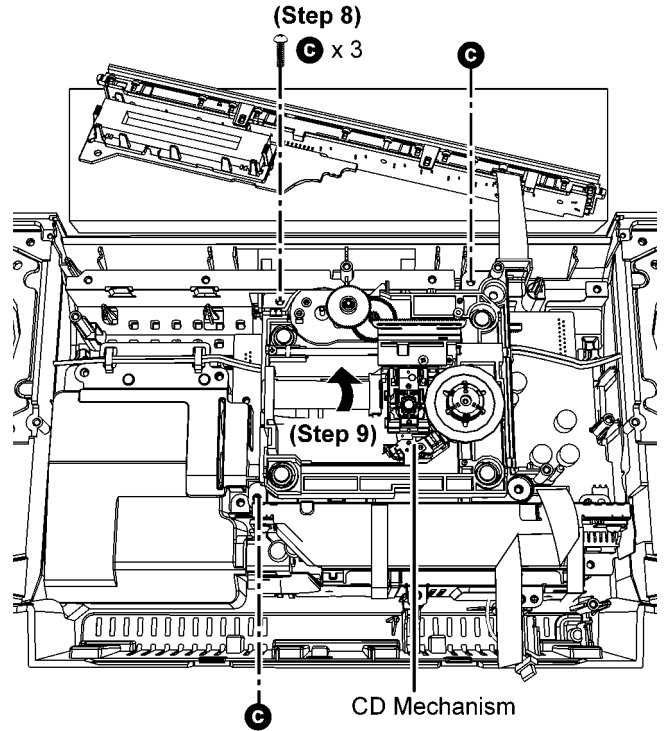
- Step 1 :** Remove the Base Stand Assembly.
- Step 2 :** Remove the Door Assembly.
- Step 3 :** Remove the Front Ornament Unit.
- Step 4 :** Remove the Front Panel Block.
- Step 5 :** Remove 1 screw.
- Step 6 :** Lift up the Panel P.C.B. with the Button Ornament Unit as shown.



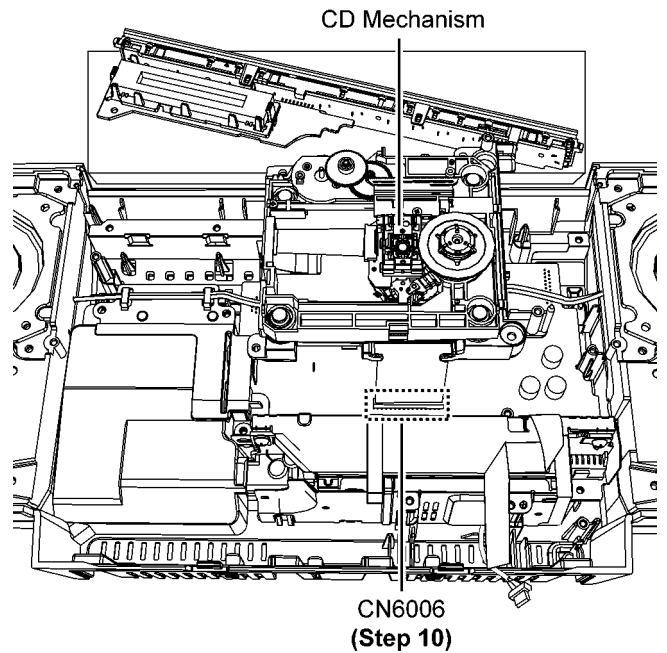
Step 7 : Place the Panel P.C.B. on the Support Block.



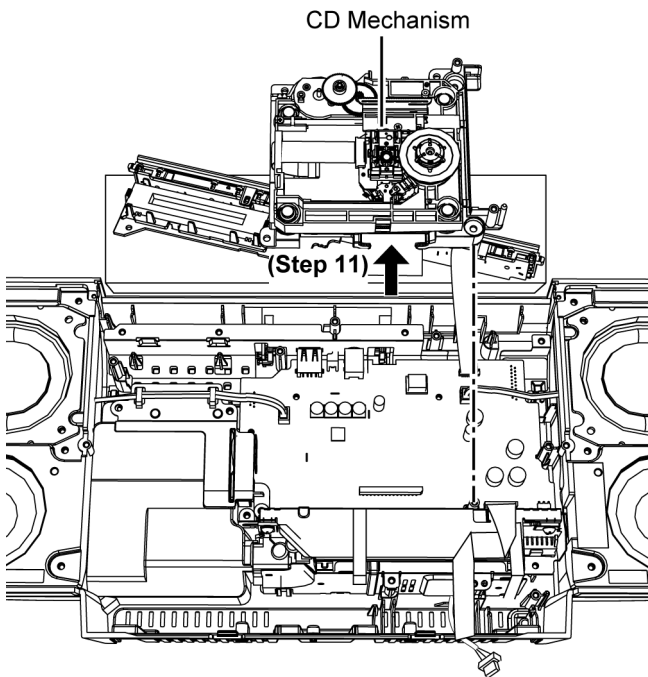
- Step 8 :** Remove 3 screws.
- Step 9 :** Lift up the CD Mechanism.



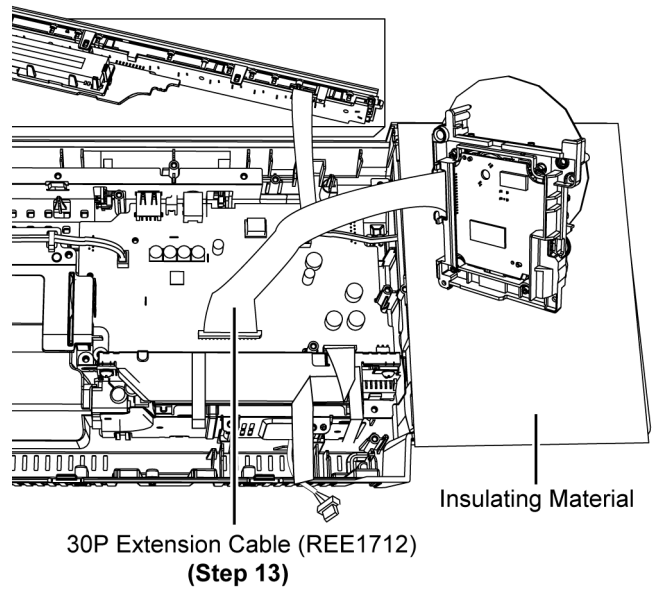
Step 10 : Detach 30P FFC at the connector (CN6006) on the Main P.C.B..



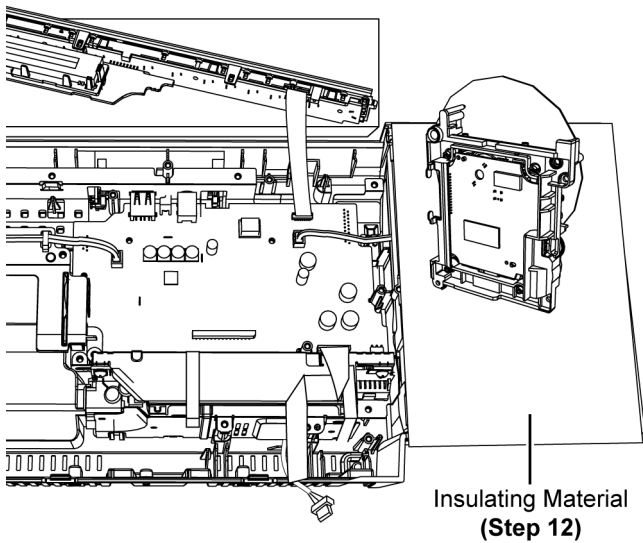
Step 11 : Remove the CD Mechanism.



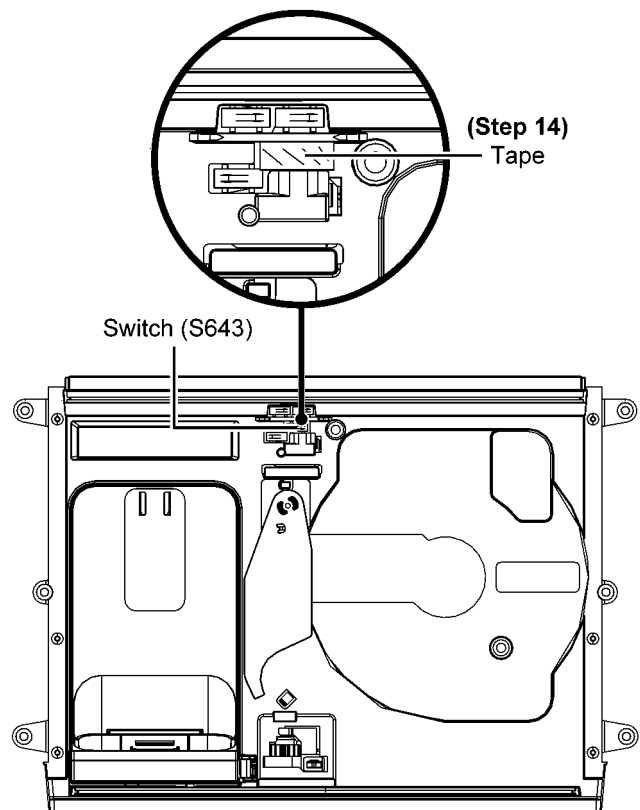
Step 13 : Connect 30P extension cable (REE1712) from CN6006 on the Main P.C.B. to CN7002 on the CD Servo P.C.B..



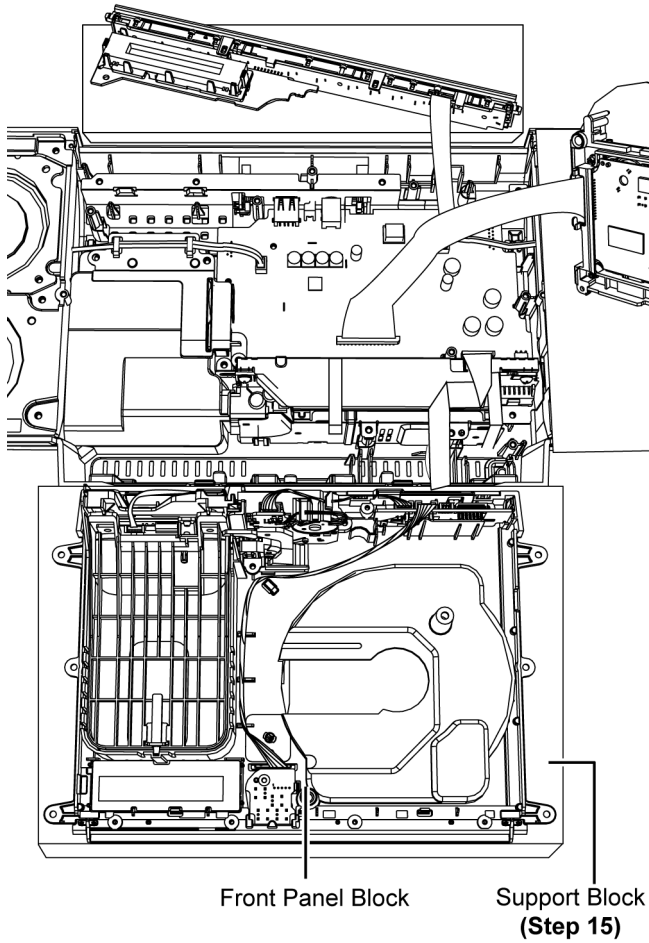
Step 12 : Place the CD Mechanism on the Insulating Material.



Step 14 : Use a tape to keep the centre switch (S643) pressed.

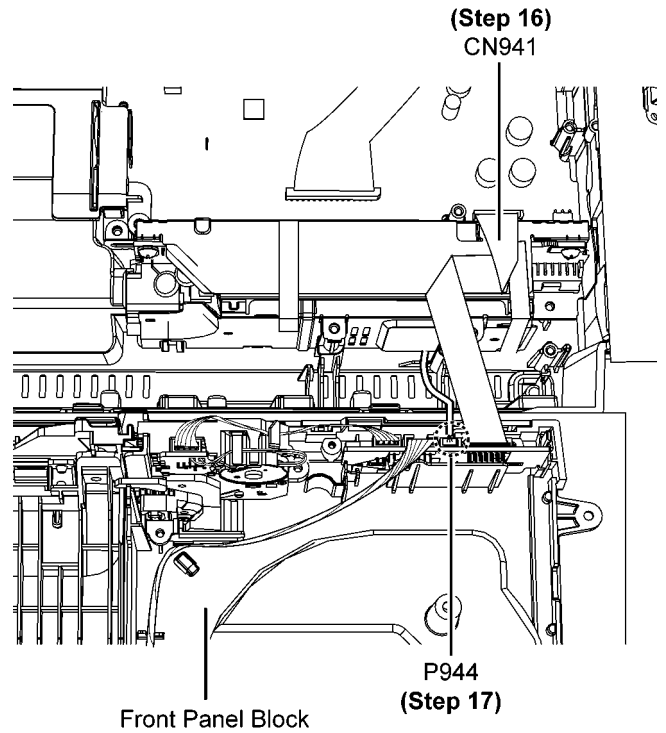


Step 15 : Place the Support Block to support the Front Panel Block as shown.

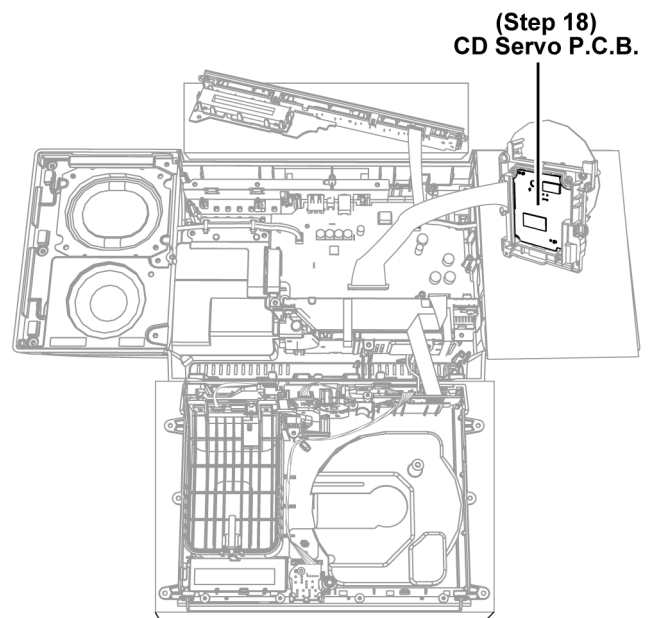


Step 16 : Connect 14P FFC at the connector (CN941) on Remote Sensor P.C.B..

Step 17 : Connect 5P wire at the connector (P944) on Remote Sensor P.C.B.



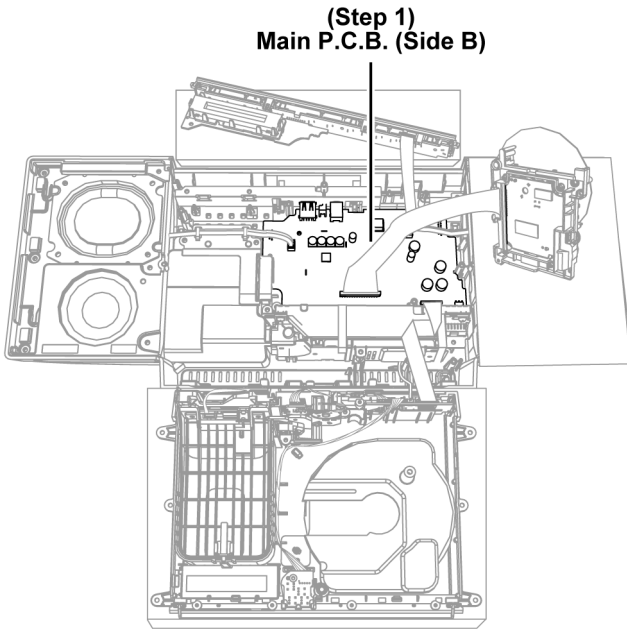
Step 18 : Check and repair the CD Servo P.C.B. according to the diagram shown.



11.4. Checking & Repairing of Main P.C.B. (Side B)

- Refer to (Step 1) - (Step 17) of item 11.3.

Step 1 : Check and repair the Main P.C.B. (Side B) according to the diagram shown.



11.5. Checking & Repairing of Main P.C.B. (Side A)

Step 1 : Remove the Base Stand Assembly.

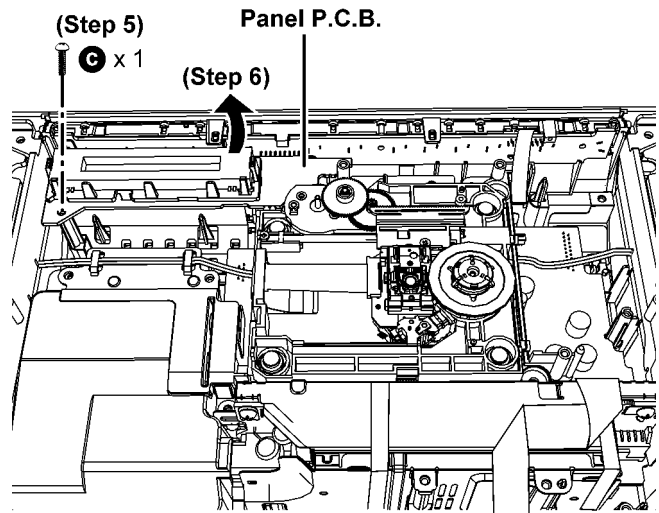
Step 2 : Remove the Door Assembly.

Step 3 : Remove the Front Ornament Unit.

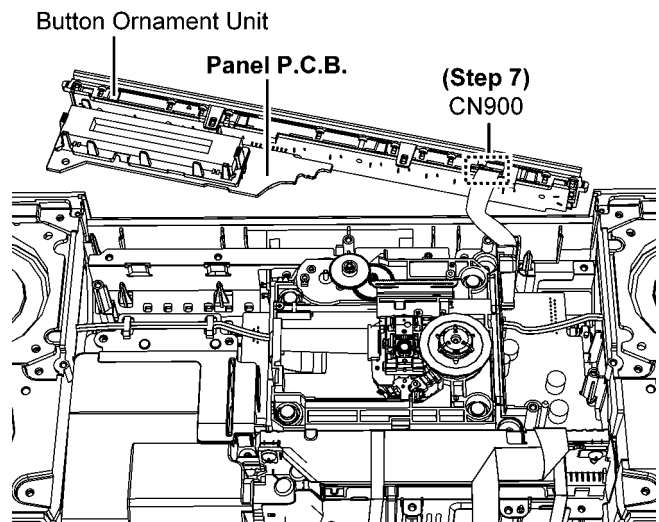
Step 4 : Remove the Front Panel Block.

Step 5 : Remove 1 screw.

Step 6 : Lift up the Panel P.C.B. with the Button Ornament Unit as shown.

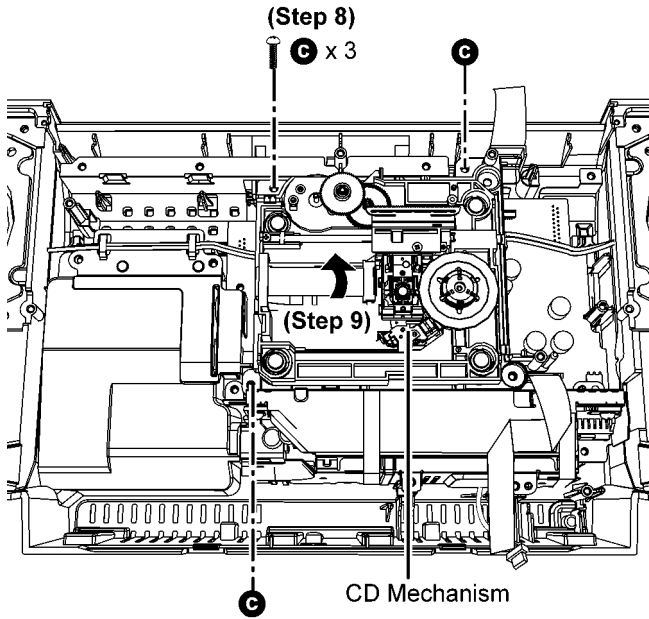


Step 7 : Detach 18P FFC at the connector (CN900) on the Button P.C.B..

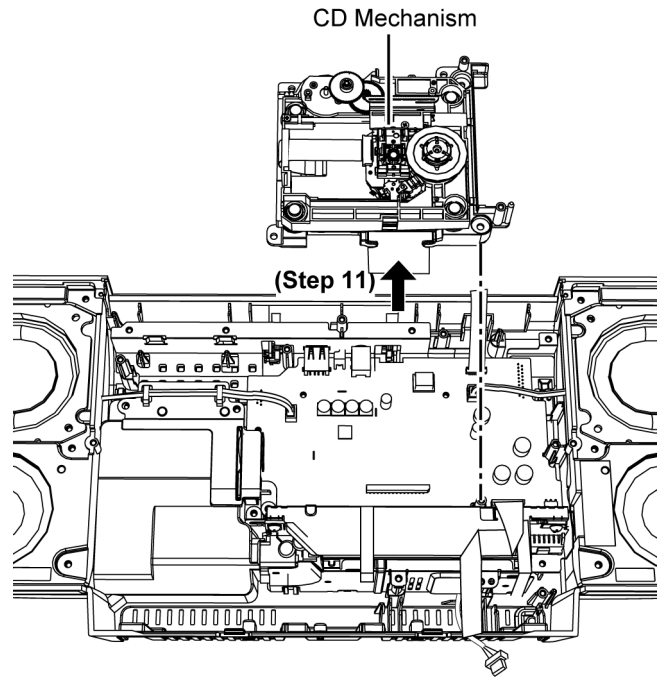


Step 8 : Remove 3 screws.

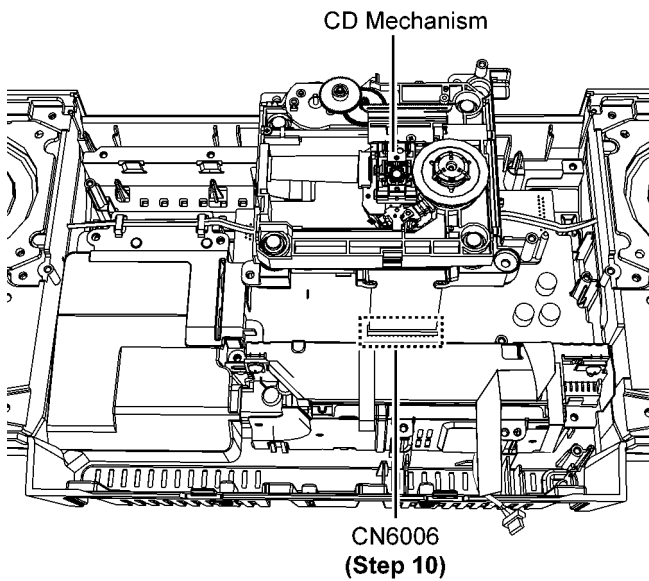
Step 9 : Slightly lift up the CD Mechanism.



Step 11 : Remove the CD Mechanism.



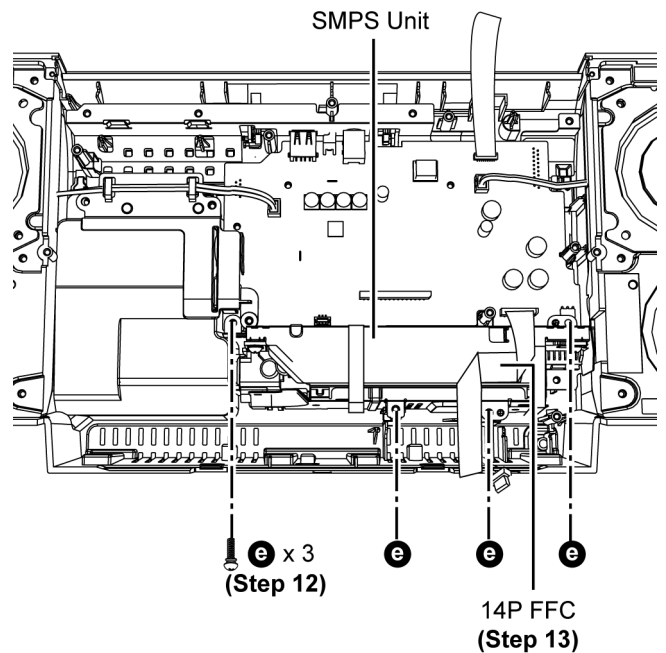
Step 10 : Detach 30P FFC at the connector (CN6006) on the Main P.C.B..



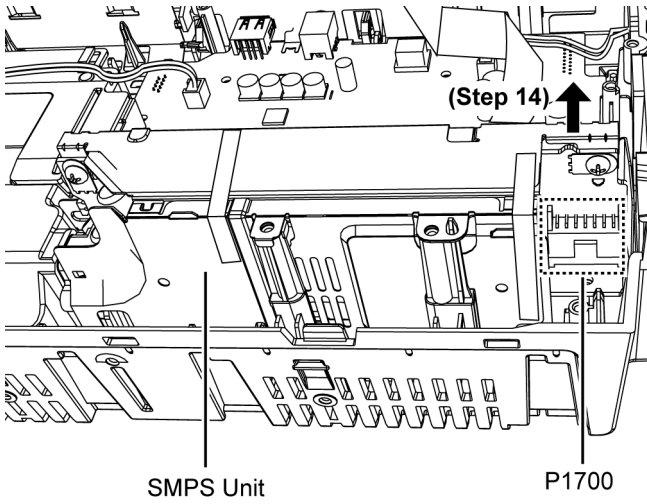
Step 12 : Remove 4 screws.

Step 13 : Lift up the 14P FFC.

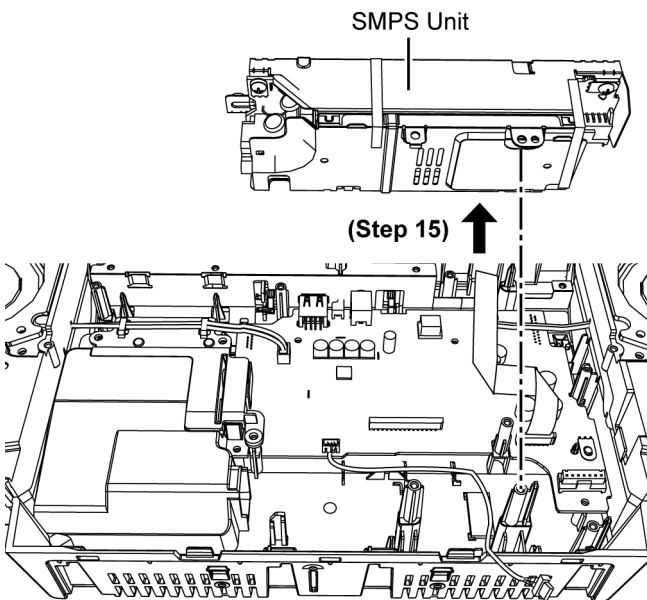
Caution : The 14P FFC is pasted onto the SMPS Unit using a double sided tape. During assembling, replace with new one if torn.



Step 14 : Gently lift up the SMPS Unit.



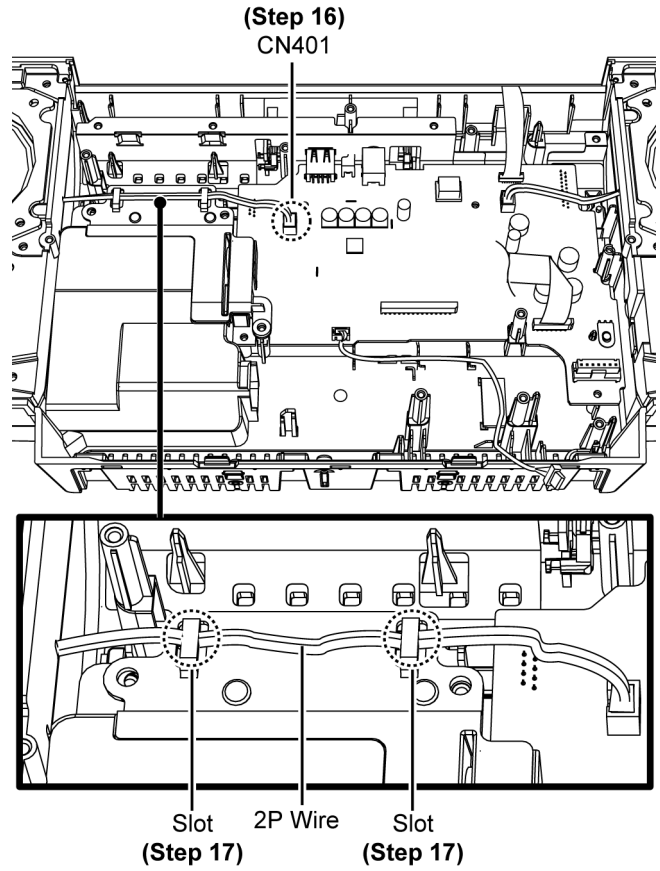
Step 15 : Remove the SMPS Unit.



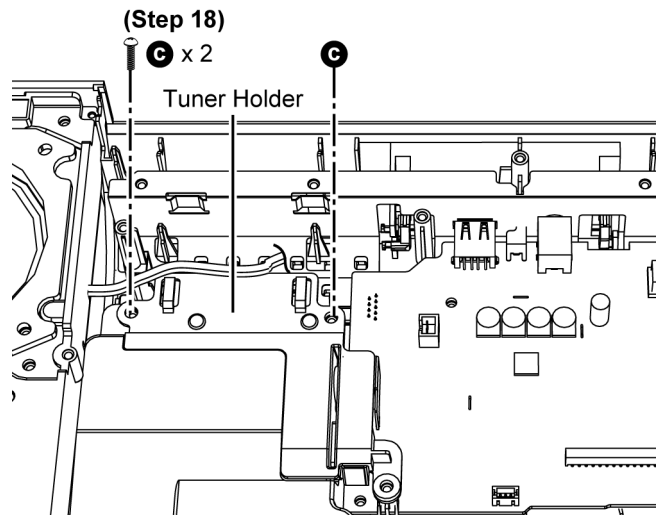
Step 16 : Detach 2P wire at the connector (CN401) on the Main P.C.B..

Step 17 : Release the 2P wire from the slots.

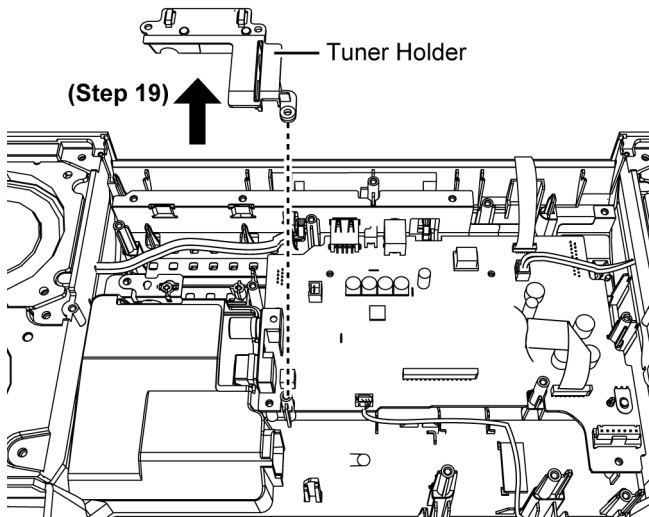
Caution : During assembling, dress the 2P wire into the slots.



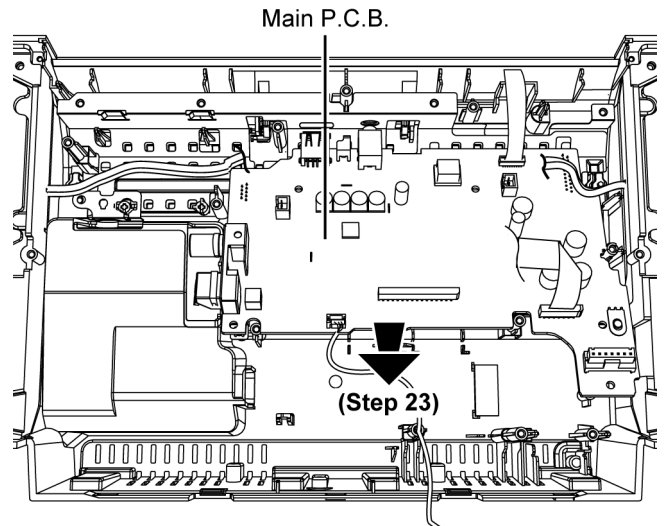
Step 18 : Remove 2 screws.



Step 19 : Remove the Tuner Holder.



Step 23 : Remove the Main P.C.B. as shown.



Step 20 : Remove 4 screws.

Step 21 : Release the 2P Cable Wire from the slots.

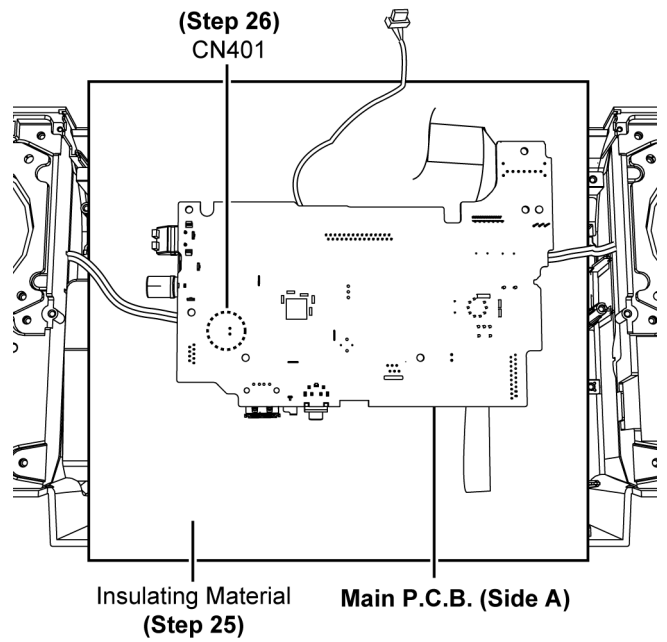
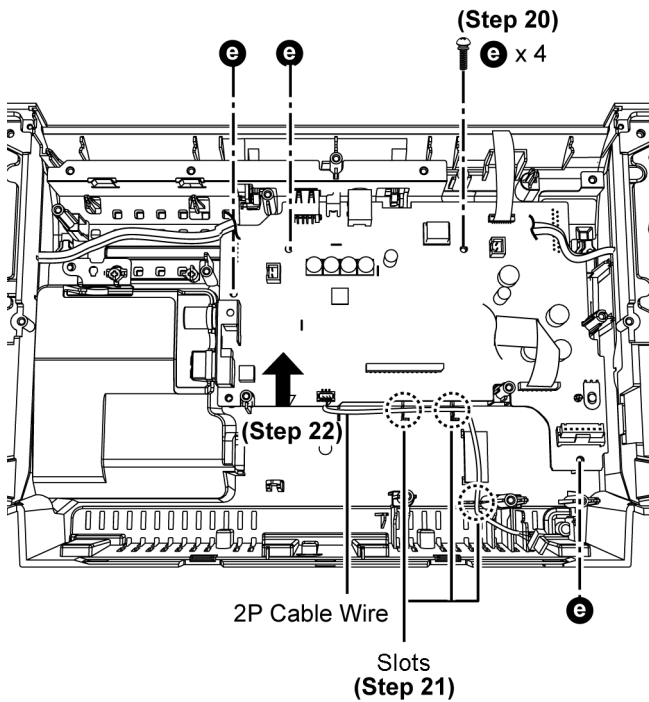
Caution : During assembling, dress the 2P Cable wire into the slots.

Step 22 : Slightly lift up the Main P.C.B..

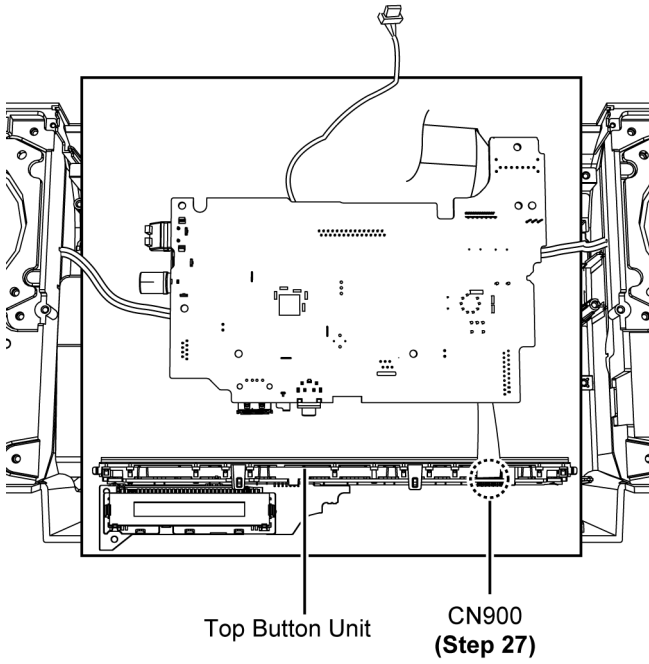
Step 24 : Upset the Main P.C.B..

Step 25 : Place the Main P.C.B. (Side A) on the Insulating Material.

Step 26 : Connect 2P wire at the connector (CN401) on the Main P.C.B..

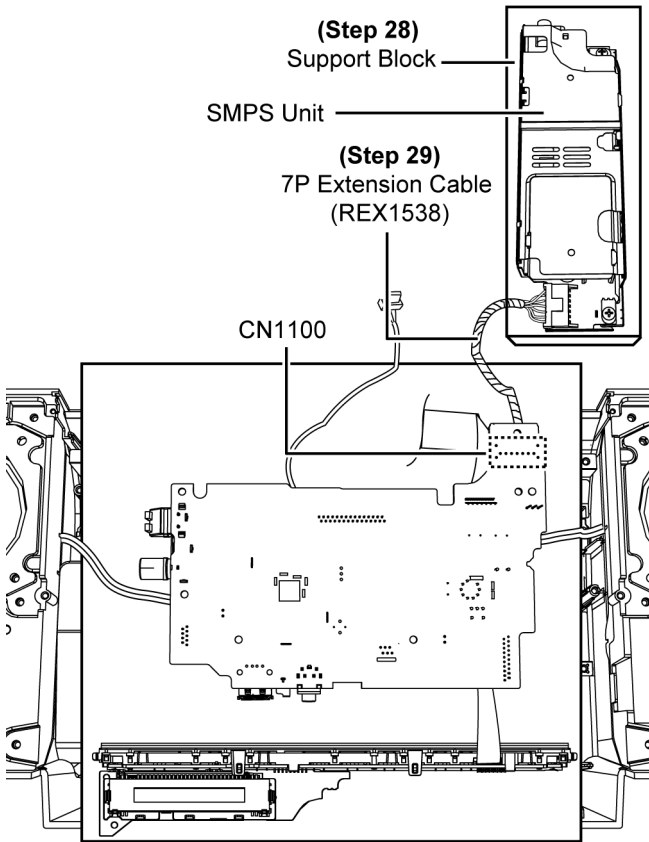


Step 27 : Connect 18P FFC at the connector (CN900) on the Button P.C.B..



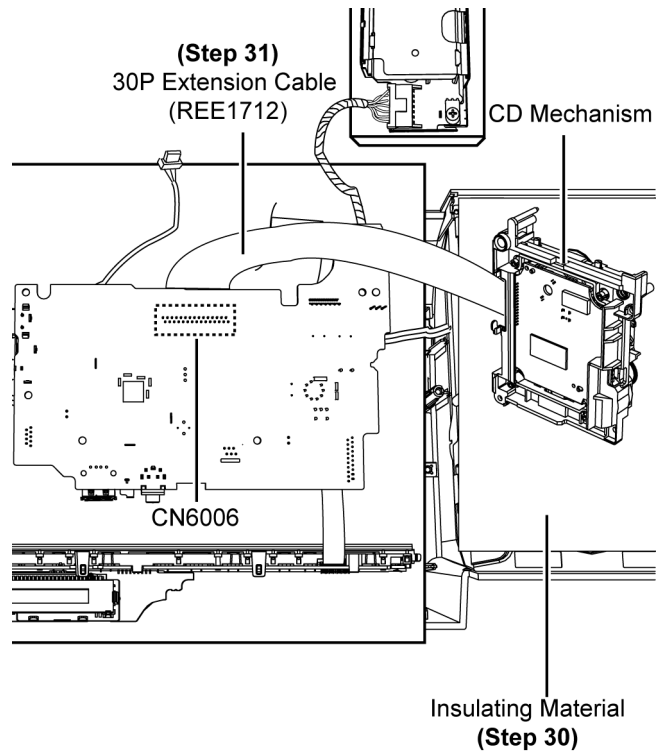
Step 28 : Place the SMPS Unit on the Support Block.

Step 29 : Connect 7P extension cable (REX1538) from P1700 on the SMPS P.C.B. to CN1100 on the Main P.C.B..

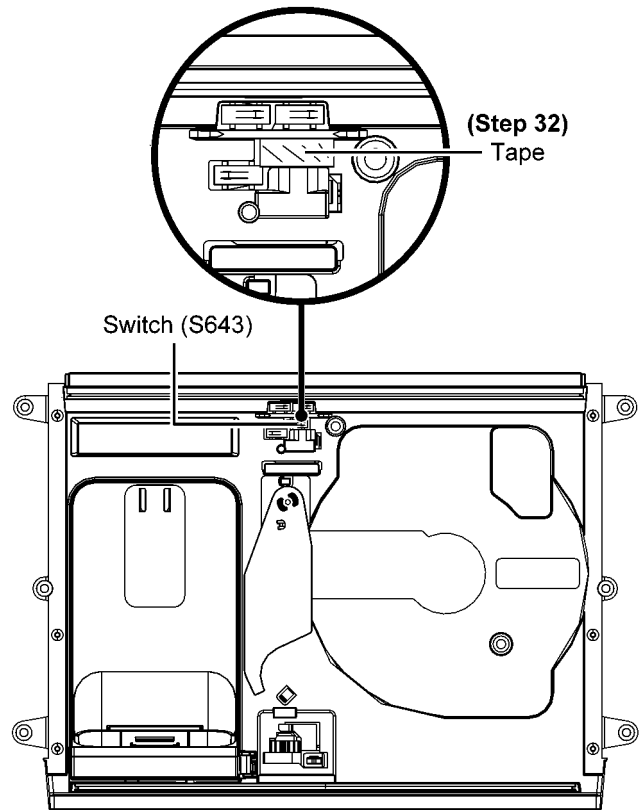


Step 30 : Place the CD Mechanism on the Support Block.

Step 31 : Connect 30P extension cable (REE1712) from CN6006 on the Main P.C.B. to CN7002 on the CD Servo P.C.B..

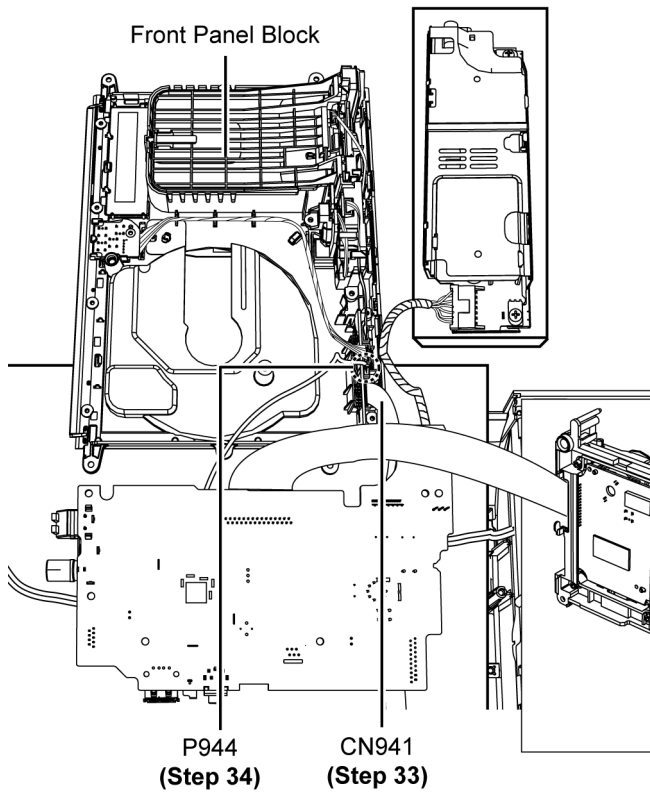


Step 32 : Use a tape to keep the centre switch (S643) pressed.

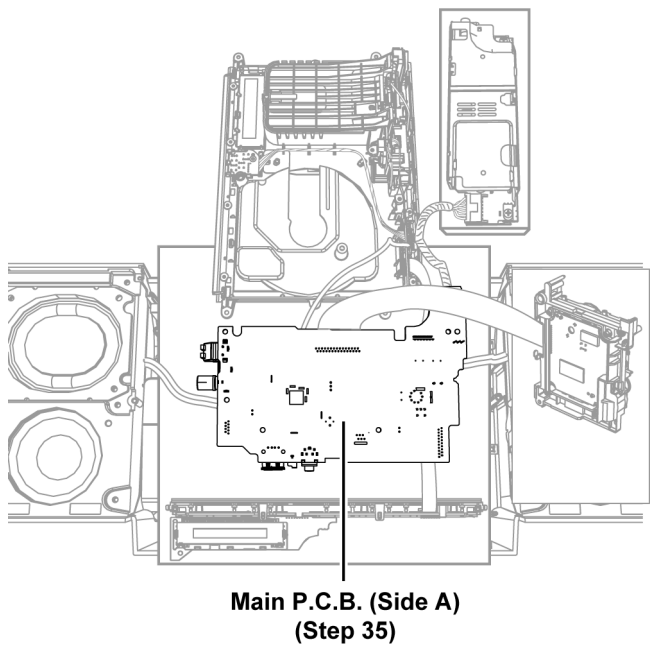


Step 33 : Connect 14P FFC at the connector (CN941) on Remote Sensor P.C.B..

Step 34 : Connect 5P wire at the connector (P944) on Remote Sensor P.C.B..



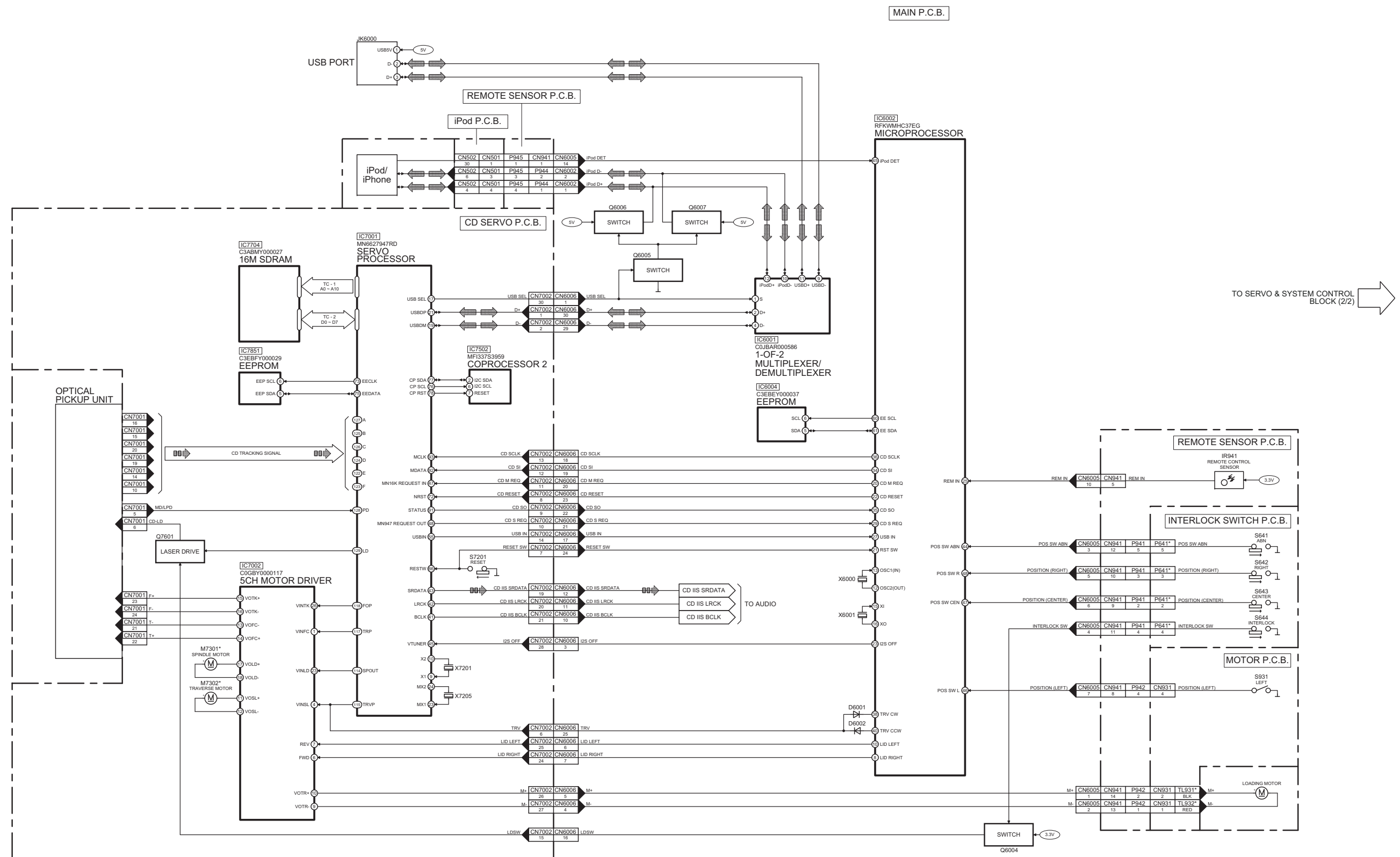
Step 35 : Check and repair the Main P.C.B. (Side A) according to the diagram shown.



12 Block Diagram

12.1. SERVO & SYSTEM CONTROL (1/2) BLOCK DIAGRAM

 : CD AUDIO INPUT SIGNAL LINE
  : USB/iPod/iPhone SIGNAL LINE

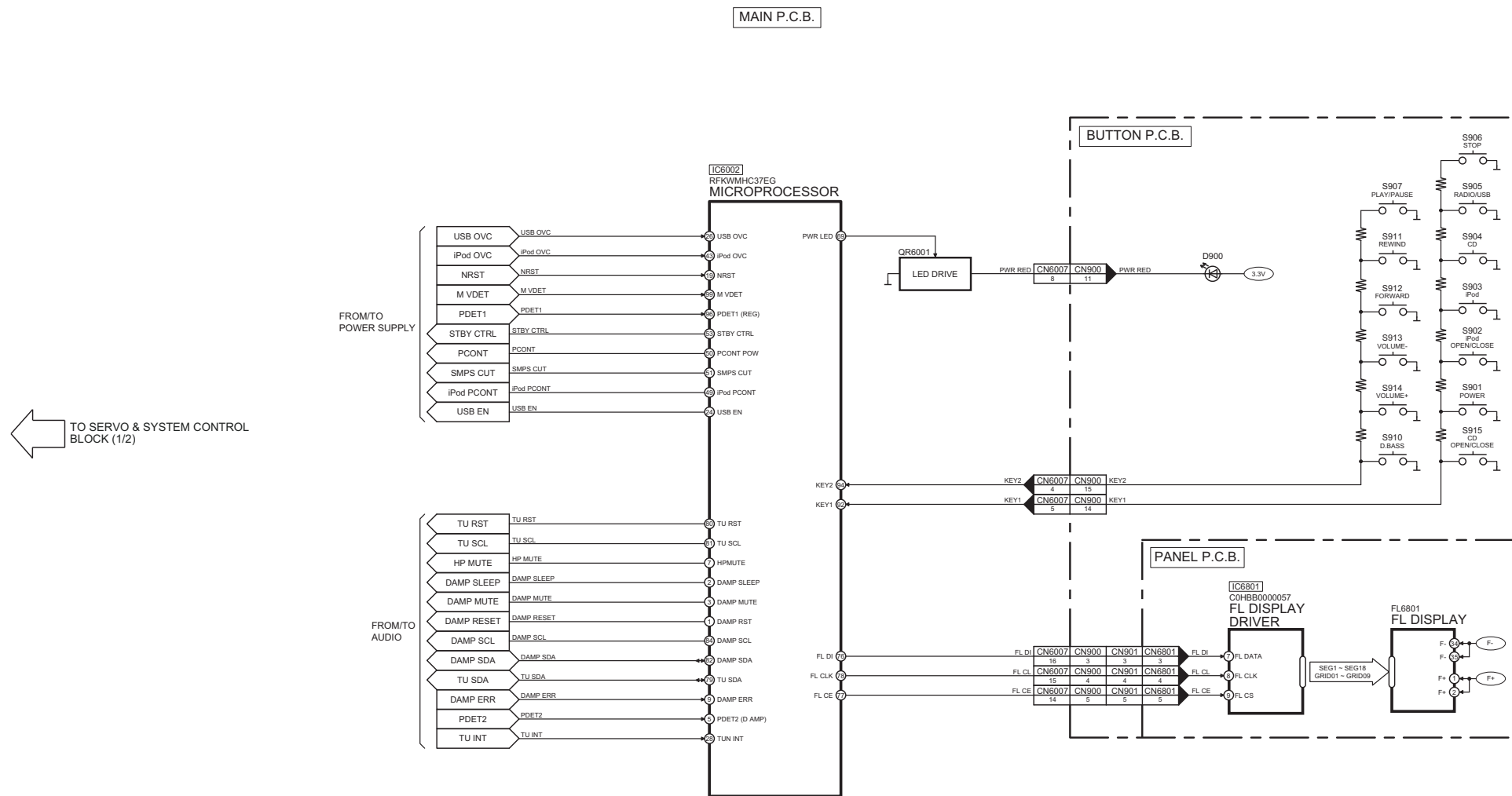


NOTE: " * " REF IS FOR INDICATION ONLY

SC-HC37GN/GS/GSX/PU SERVO & SYSTEM CONTROL (1/2) BLOCK DIAGRAM

12.2. SERVO & SYSTEM CONTROL (2/2) BLOCK DIAGRAM

 : CD AUDIO INPUT SIGNAL LINE
  : USB/Pod/iPhone SIGNAL LINE



SC-HC37GN/GS/GSX/PU SERVO & SYSTEM CONTROL (2/2) BLOCK DIAGRAM

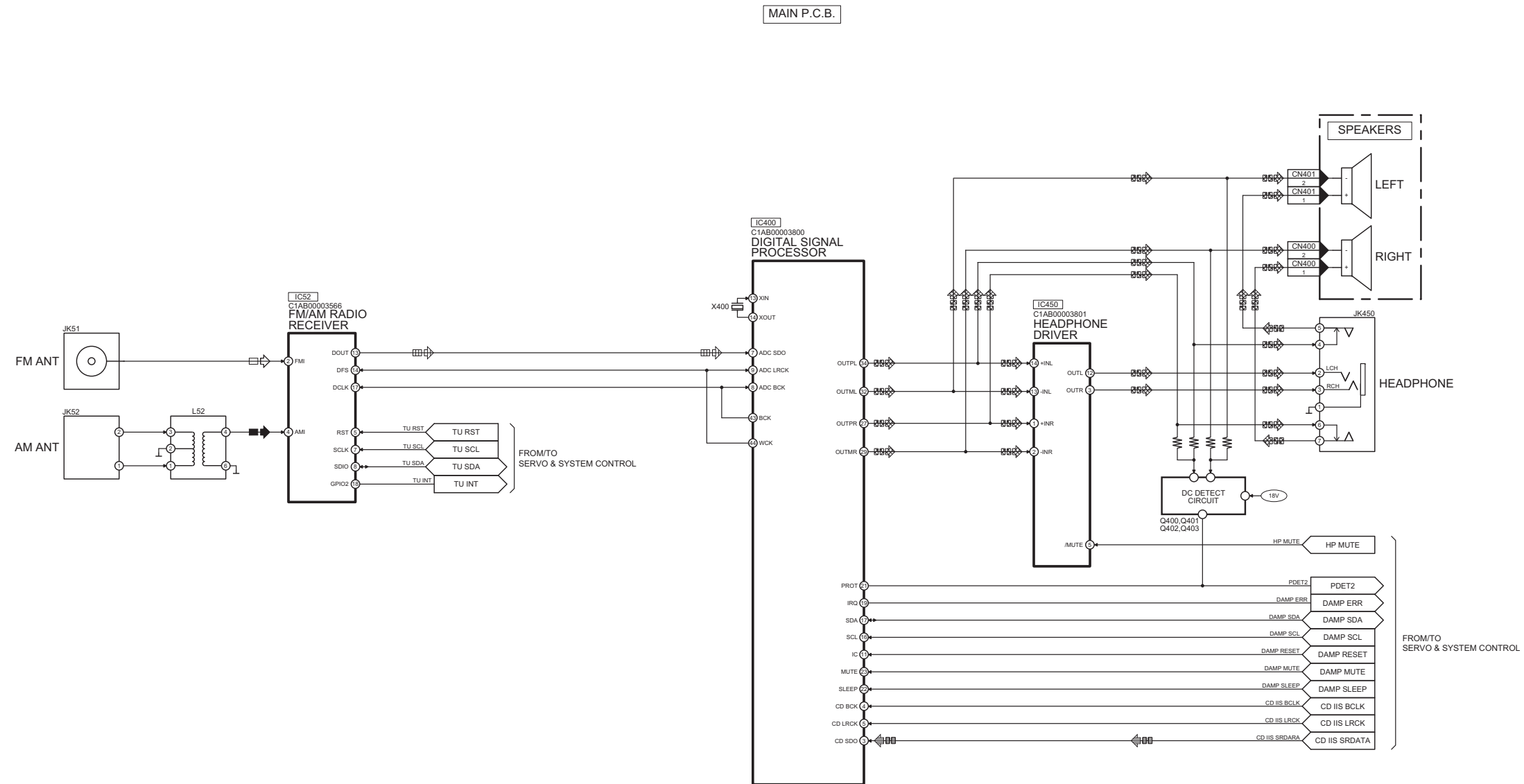
12.3. IC TERMINAL CHART

TC	IC7704 16M SDRAM		SIGNAL NAME	IC7001 SERVO PROCESSOR	
	PORT NAME	PIN NO		PIN NO	PORT NAME
1	A0	21	A0	35	A0
	A1	22	A1	34	A1
	A2	23	A2	33	A2
	A3	24	A3	112	A3
	A4	27	A4	111	A4
	A5	28	A5	110	A5
	A6	29	A6	109	A6
	A7	30	A7	108	A7
	A8	31	A8	107	A8
	A9	32	A9	106	A9
A10	20	A10	36	A10	

TC	IC7704 16M SDRAM		SIGNAL NAME	IC7001 SERVO PROCESSOR	
	PORT NAME	PIN NO		PIN NO	PORT NAME
2	DQ0 / DQ15	2 / 49	D0	102	D0
	DQ1 / DQ14	3 / 48	D1	101	D1
	DQ2 / DQ13	5 / 46	D2	100	D2
	DQ3 / DQ12	6 / 45	D3	99	D3
	DQ4 / DQ11	8 / 43	D4	98	D4
	DQ5 / DQ10	9 / 42	D5	97	D5
	DQ6 / DQ9	11 / 40	D6	96	D6
	DQ7 / DQ8	12 / 39	D7	95	D7

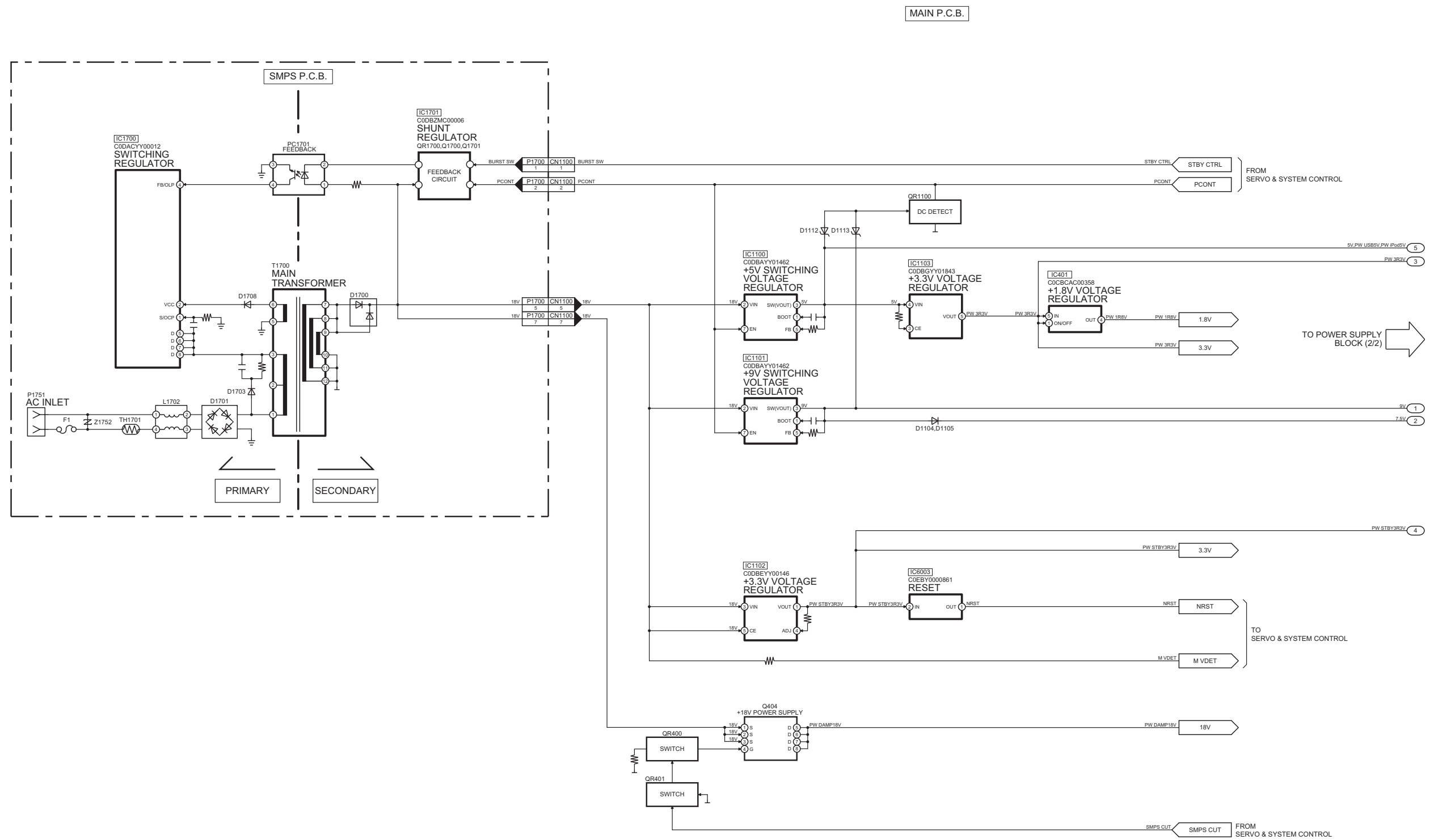
12.4. AUDIO BLOCK DIAGRAM

 : CD AUDIO INPUT SIGNAL LINE
  : TUNER AUDIO INPUT SIGNAL LINE
  : AUDIO OUTPUT SIGNAL LINE
  : AM SIGNAL LINE
  : FM SIGNAL LINE



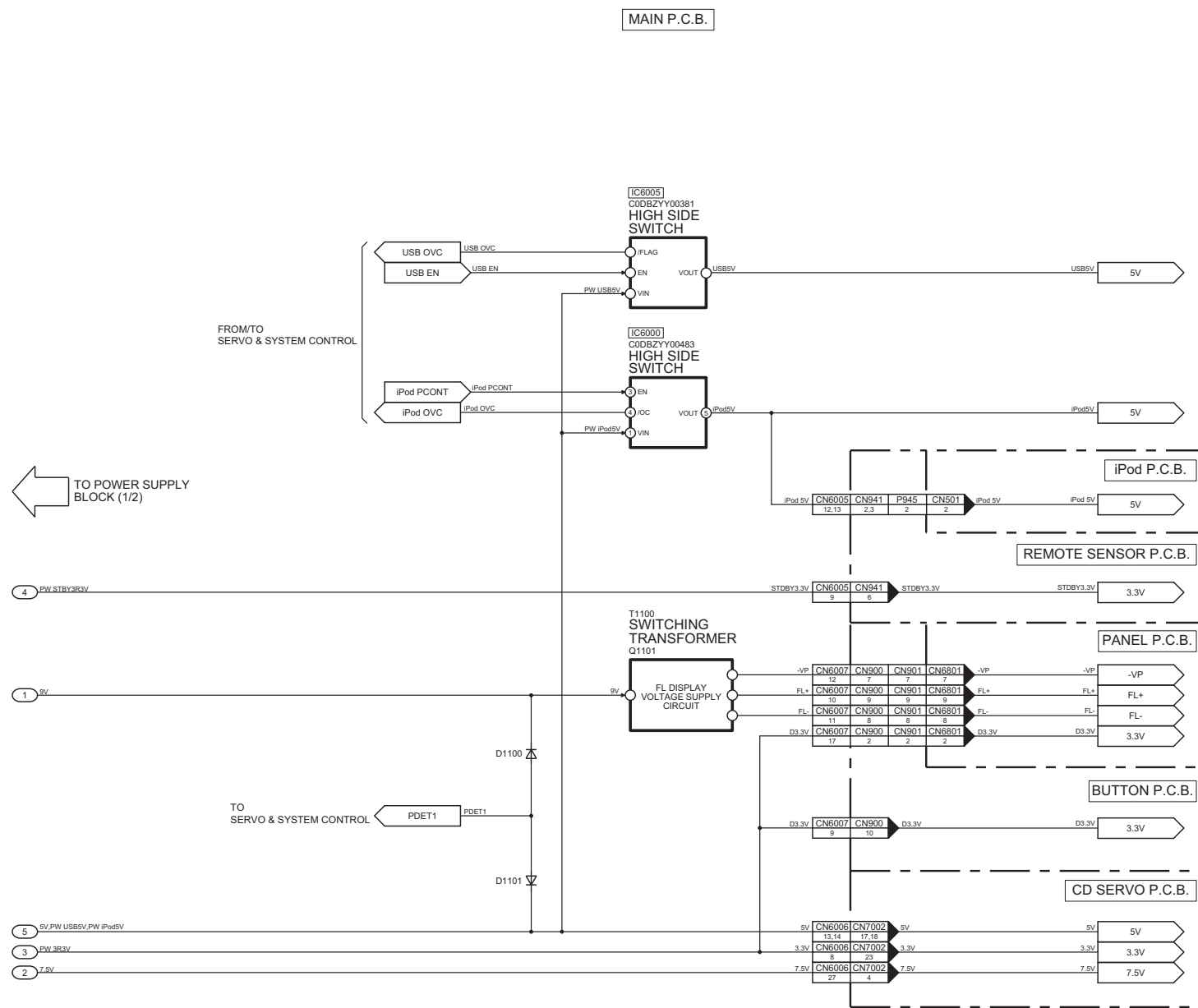
SC-HC37GN/GS/GSX/PU AUDIO BLOCK DIAGRAM

12.5. POWER SUPPLY (1/2) BLOCK DIAGRAM



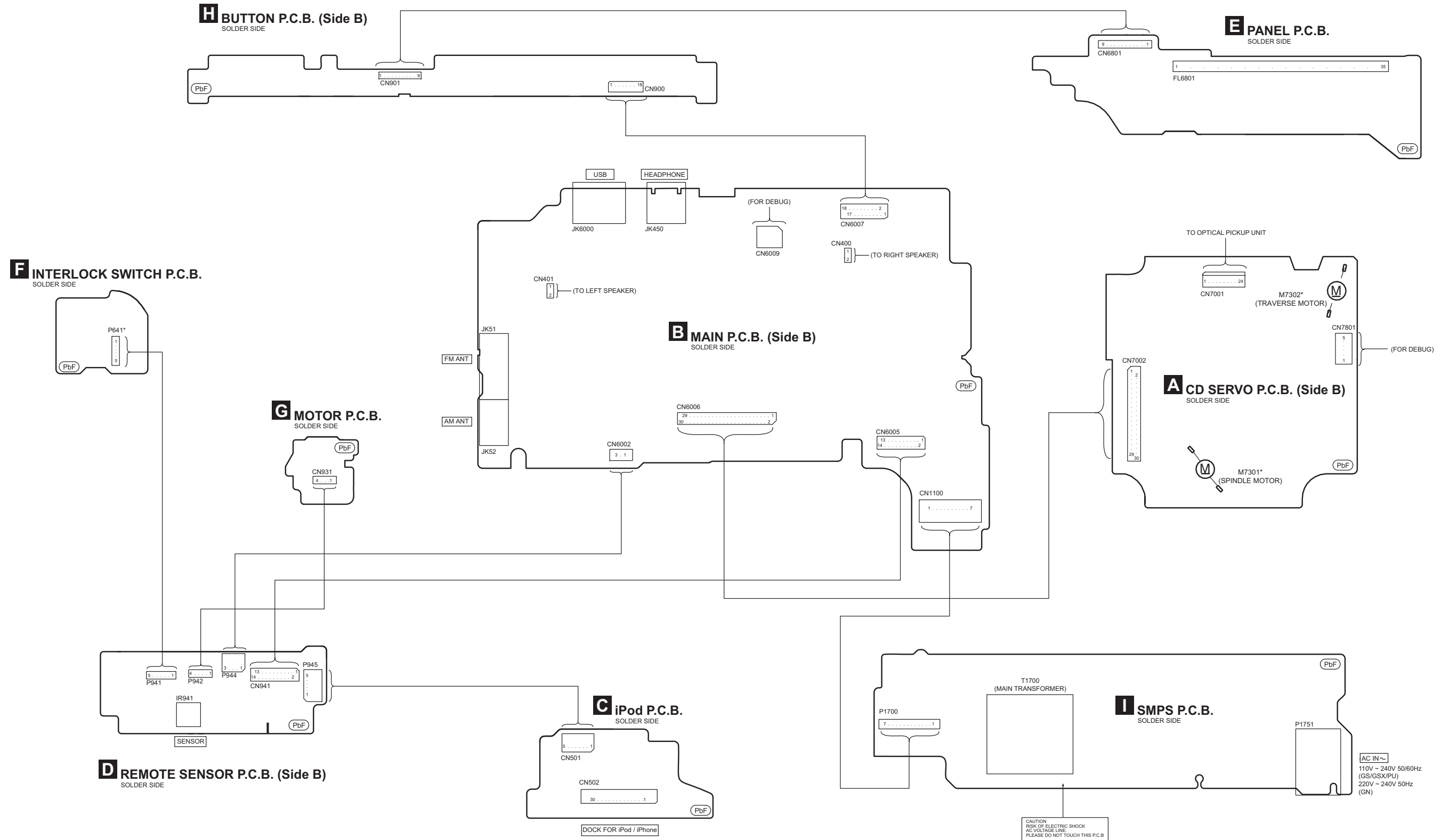
SC-HC37GN/GS/GSX/PU POWER SUPPLY (1/2) BLOCK DIAGRAM

12.6. POWER SUPPLY (2/2) BLOCK DIAGRAM



SC-HC37GN/GS/GSX/PU POWER SUPPLY (2/2) BLOCK DIAGRAM

13 Wiring Connection Diagram



Note : “ * ” REF IS FOR INDICATION ONLY.

SC-HC37GN/GS/GSX/PU
WIRING CONNECTION DIAGRAM

14 Schematic Diagram

14.1. Schematic Diagram Notes

(All schematic diagrams may be modified at any time with the development of new technology)

Notes:

- S641: ABN switch.
- S642: RIGHT switch.
- S643: CENTRE switch.
- S644: INTERLOCK switch.
- S901: POWER switch (⏻/⏻).
- S902: iPod OPEN/CLOSE switch (iPod ▲).
- S903: iPod switch.
- S904: CD switch.
- S905: RADIO/USB switch.
- S906: STOP switch (■).
- S907: PLAY/PAUSE switch (▶/⏸).
- S910: D.BASS switch.
- S911: REV SKIP switch (◀◀/◀◀).
- S912: FWD SKIP switch (▶▶/▶▶).
- S913: VOL- switch.
- S914: VOL+ switch.
- S915: CD OPEN/CLOSE switch(CD ▲).
- S931: LEFT switch.
- S7201: RESET switch.

• Important safety notice:

Components identified by ▲ mark have special characteristics important for safety.

Furthermore, special parts which have purposes of fire-retardant (resistors), high quality sound (capacitors), low-noise (resistors), etc are used.

When replacing any of components, be sure to use only manufacturer's specified parts shown in the parts list.

• In case of AC rated voltage Capacitors, the part no. and values will be indicated in the Schematic Diagram.

AC rated voltage capacitors:
C1702, C1710, C1725, C1727, C1728

• Resistor

Unit of resistance is OHM [Ω] (K=1,000, M=1,000,000).

• Capacitor

Unit of capacitance is μF, unless otherwise noted. F=Farads, pF=pico-Farad.




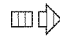
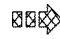
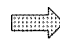


• Coil

Unit of inductance is H, unless otherwise noted.

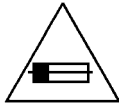
• *

REF IS FOR INDICATION ONLY.

• Voltage and signal line

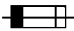
-  : +B Signal Line
-  : -B Signal Line
-  : CD Audio Input Signal Line
-  : Tuner Audio Input Signal Line
-  : Audio Output Signal Line
-  : iPod/iPhone/USB Signal Line
-  : FM Signal Line
-  : AM Signal Line

CAUTION: FOR CONTINUED PROTECTION AGAINST FIRE HAZARD, REPLACE ONLY WITH SAME TYPE F1 T2A, 250V FUSE



RISK OF FIRE-REPLACE FUSE AS MARKED.

FUSE CAUTION

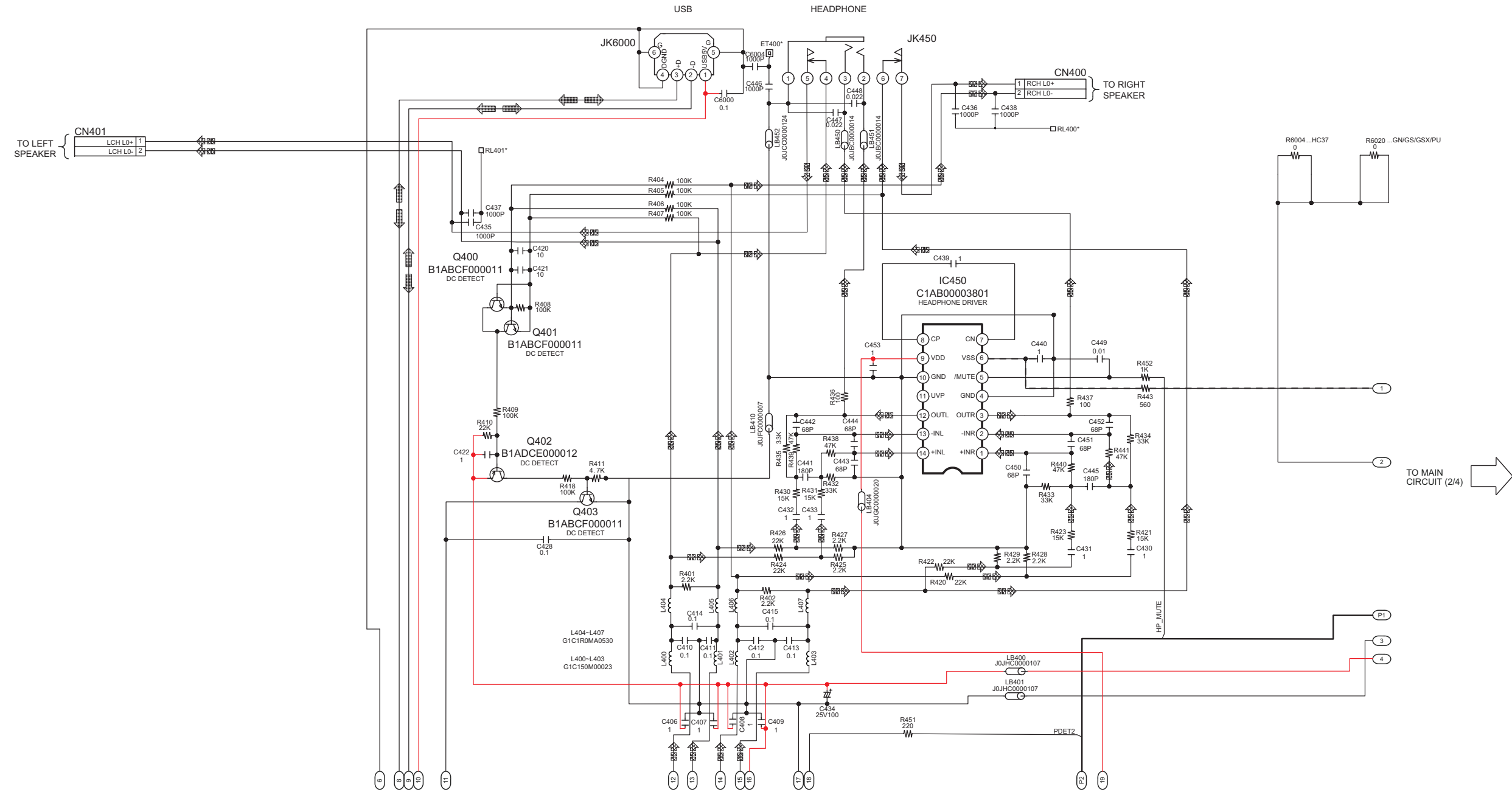


These symbols located near the fuse indicates that the fuse used is a fast operating type. For continued protection against fire hazard, replace with the same type fuse. For fuse rating, refer to the marking adjacent to the symbol.

14.4. MAIN CIRCUIT (1/4)

SCHEMATIC DIAGRAM - 3
B MAIN CIRCUIT

— : +B SIGNAL LINE : CD AUDIO INPUT SIGNAL LINE : TUNER AUDIO INPUT SIGNAL LINE : FM SIGNAL LINE
— : -B SIGNAL LINE : AUDIO OUTPUT SIGNAL LINE : iPod/iPhone/USB SIGNAL LINE : AM SIGNAL LINE



NOTE: "*" REF IS FOR INDICATION ONLY

TO MAIN CIRCUIT (3/4)

1/4	2/4
3/4	4/4

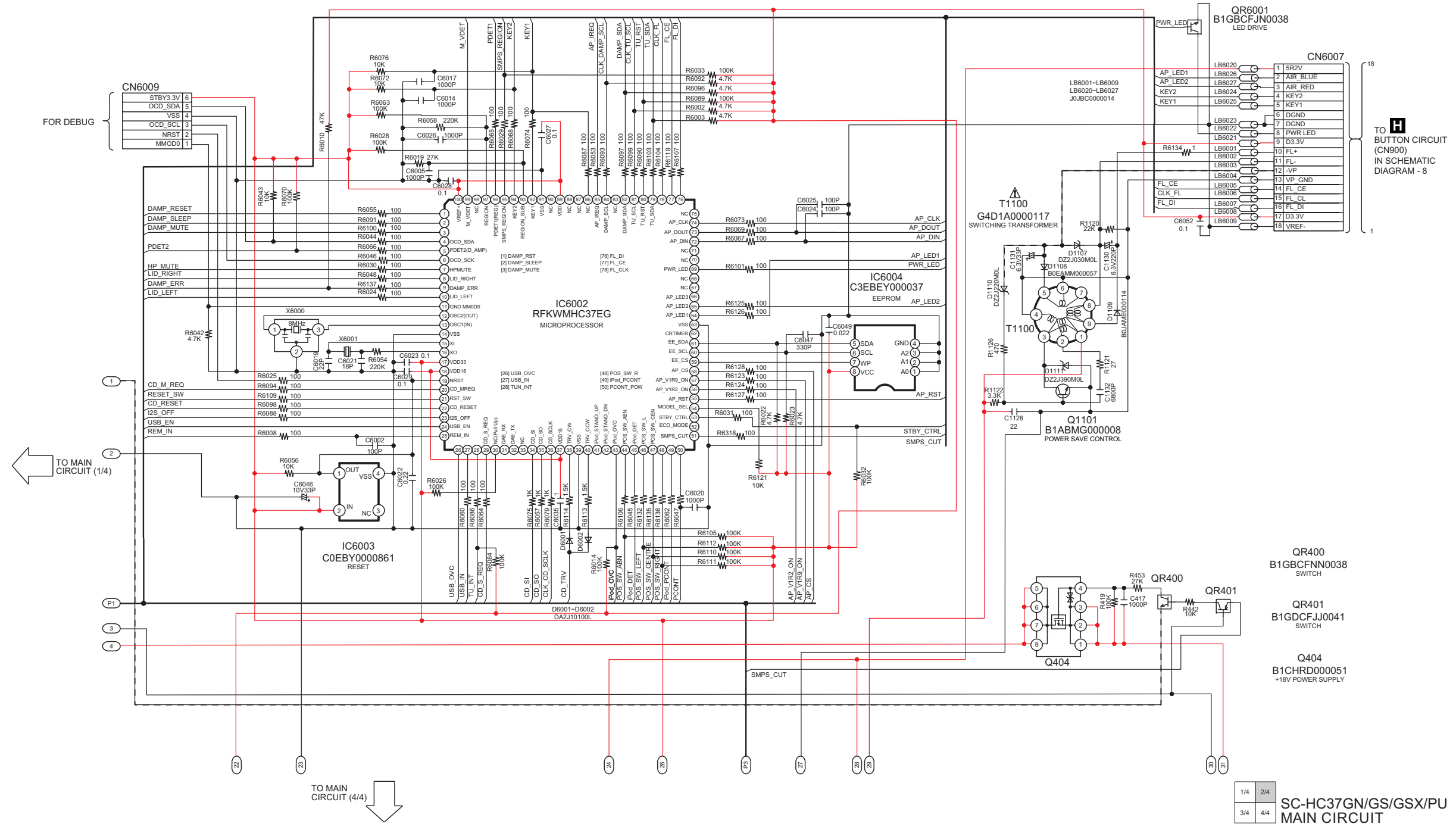
SC-HC37GN/GS/GSX/PU
 MAIN CIRCUIT

14.5. MAIN CIRCUIT (2/4)

SCHEMATIC DIAGRAM - 4

B MAIN CIRCUIT

- : +B SIGNAL LINE
- : -B SIGNAL LINE
- : CD AUDIO INPUT SIGNAL LINE
- : TUNER AUDIO INPUT SIGNAL LINE
- : iPod/iPhone/USB SIGNAL LINE
- : FM SIGNAL LINE
- : AM SIGNAL LINE
- : AUDIO OUTPUT SIGNAL LINE



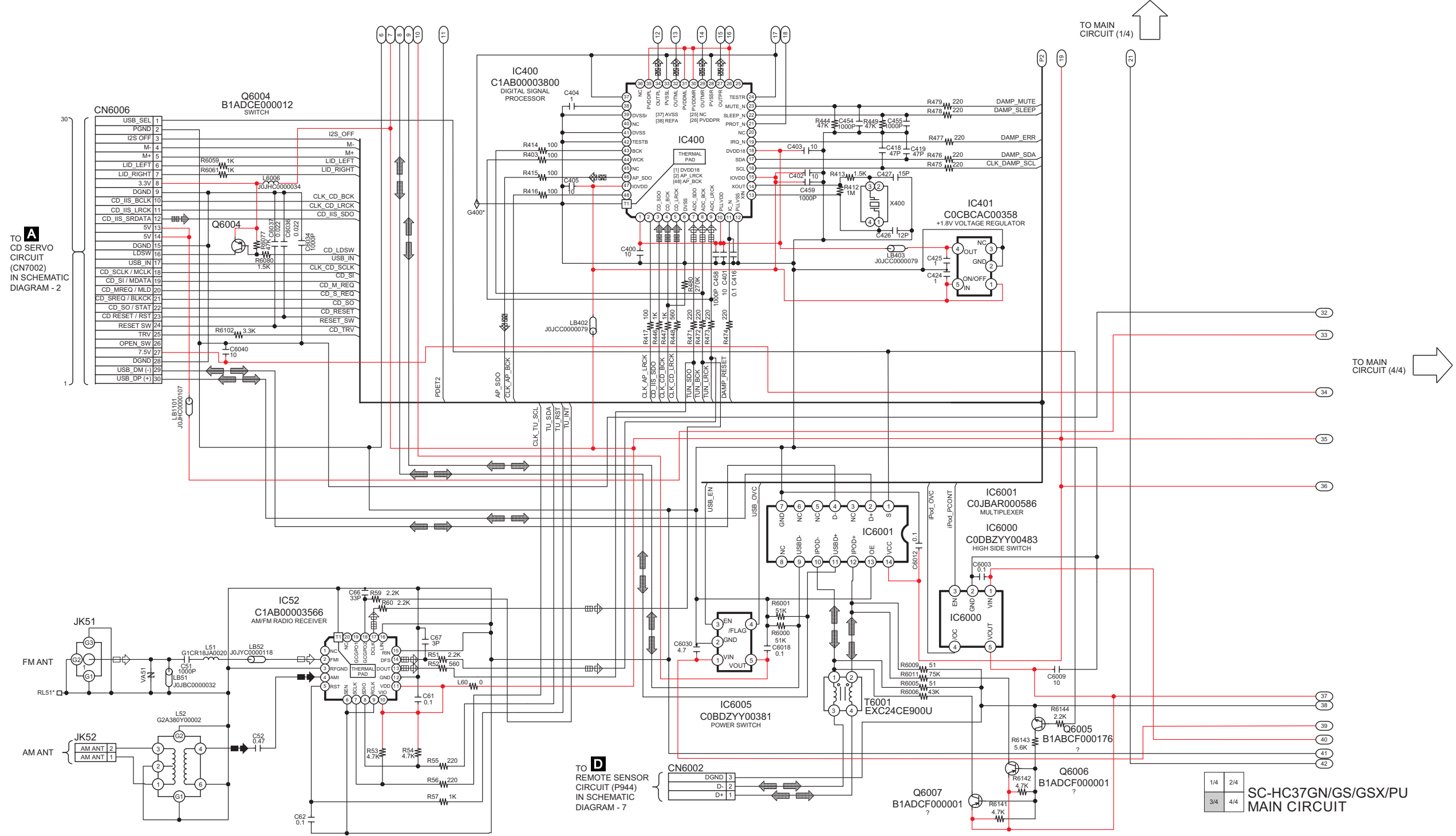
1/4 2/4
3/4 4/4
SC-HC37GN/GS/GSX/PU
MAIN CIRCUIT

14.6. MAIN CIRCUIT (3/4)

SCHEMATIC DIAGRAM - 5

B MAIN CIRCUIT

- : +B SIGNAL LINE
- : -B SIGNAL LINE
- ▬▬▬ : CD AUDIO INPUT SIGNAL LINE
- ▬▬▬ : AUDIO OUTPUT SIGNAL LINE
- ▬▬▬ : TUNER AUDIO INPUT SIGNAL LINE
- ▬▬▬ : iPod/iPhone/USB SIGNAL LINE
- ◻ : FM SIGNAL LINE
- ◻ : AM SIGNAL LINE



NOTE: " * " REF IS FOR INDICATION ONLY

1 2 3 4 5 6 7 8 9 10 11 12 13 14

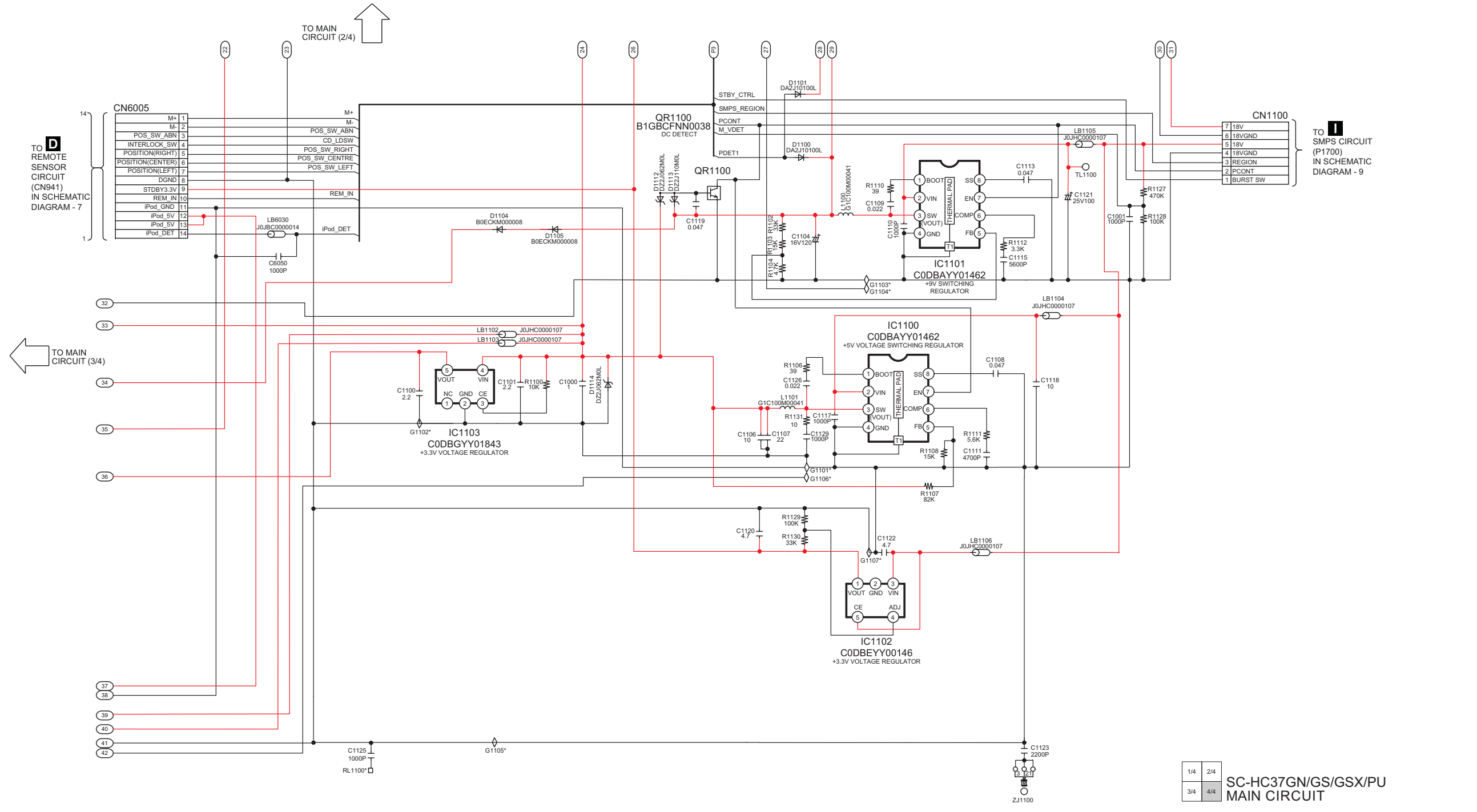
1/4 2/4
3/4 4/4
SC-HC37GN/GS/GSX/PU
MAIN CIRCUIT

14.7. MAIN CIRCUIT (4/4)

SCHEMATIC DIAGRAM - 6

B MAIN CIRCUIT

- : +B SIGNAL LINE
- : -B SIGNAL LINE
- : CD AUDIO INPUT SIGNAL LINE
- : AUDIO OUTPUT SIGNAL LINE
- : TUNER AUDIO INPUT SIGNAL LINE
- : iPod/iPhone/USB SIGNAL LINE
- : FM SIGNAL LINE
- : AM SIGNAL LINE



NOTE: "*" REF IS FOR INDICATION ONLY

1/4	2/4
3/4	4/4

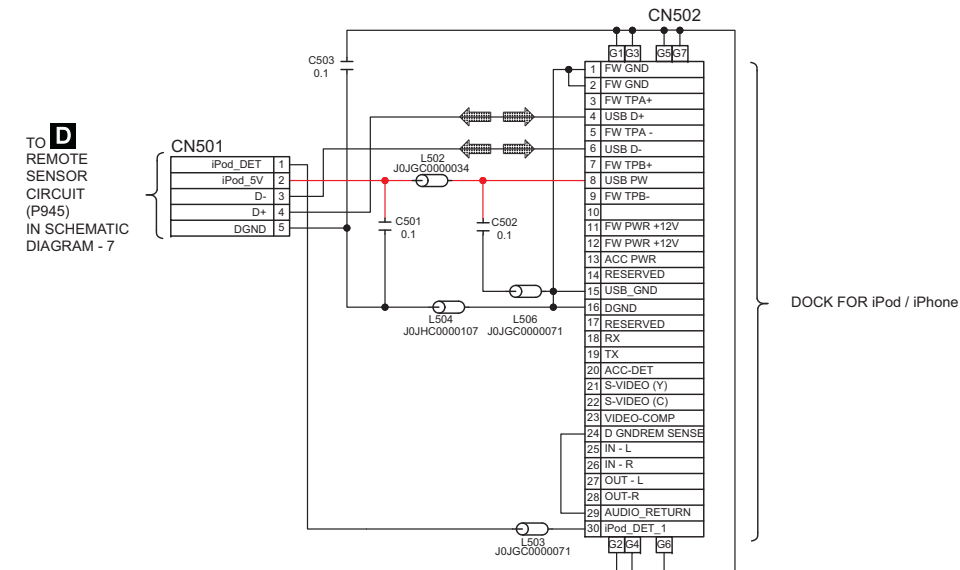
SC-HC37GN/GS/GSX/PU
MAIN CIRCUIT

14.8. iPod & REMOTE SENSOR CIRCUIT

SCHEMATIC DIAGRAM - 7

C iPod CIRCUIT

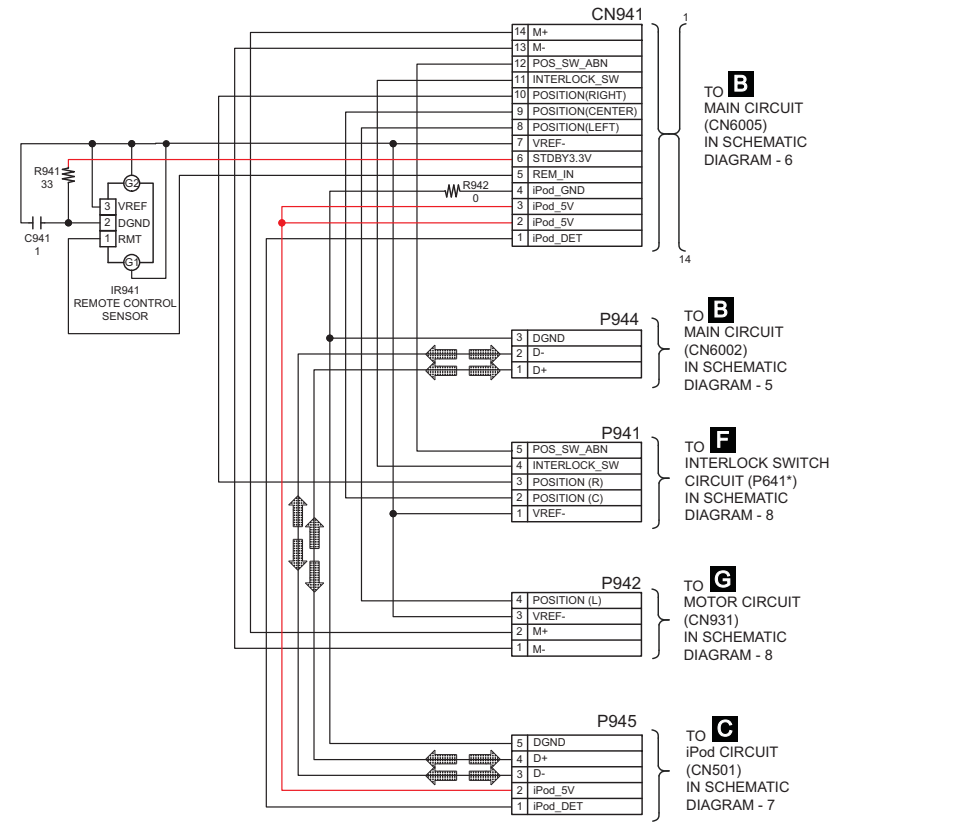
—: +B SIGNAL LINE ⇄: iPod/iPhone/USB SIGNAL LINE



TO **D** REMOTE SENSOR CIRCUIT (P945) IN SCHEMATIC DIAGRAM - 7

D REMOTE SENSOR CIRCUIT

—: +B SIGNAL LINE ⇄: iPod/iPhone/USB SIGNAL LINE



TO **B** MAIN CIRCUIT (CN6005) IN SCHEMATIC DIAGRAM - 6

TO **B** MAIN CIRCUIT (CN6002) IN SCHEMATIC DIAGRAM - 5

TO **F** INTERLOCK SWITCH CIRCUIT (P641*) IN SCHEMATIC DIAGRAM - 8

TO **G** MOTOR CIRCUIT (CN931) IN SCHEMATIC DIAGRAM - 8

TO **C** iPod CIRCUIT (CN501) IN SCHEMATIC DIAGRAM - 7

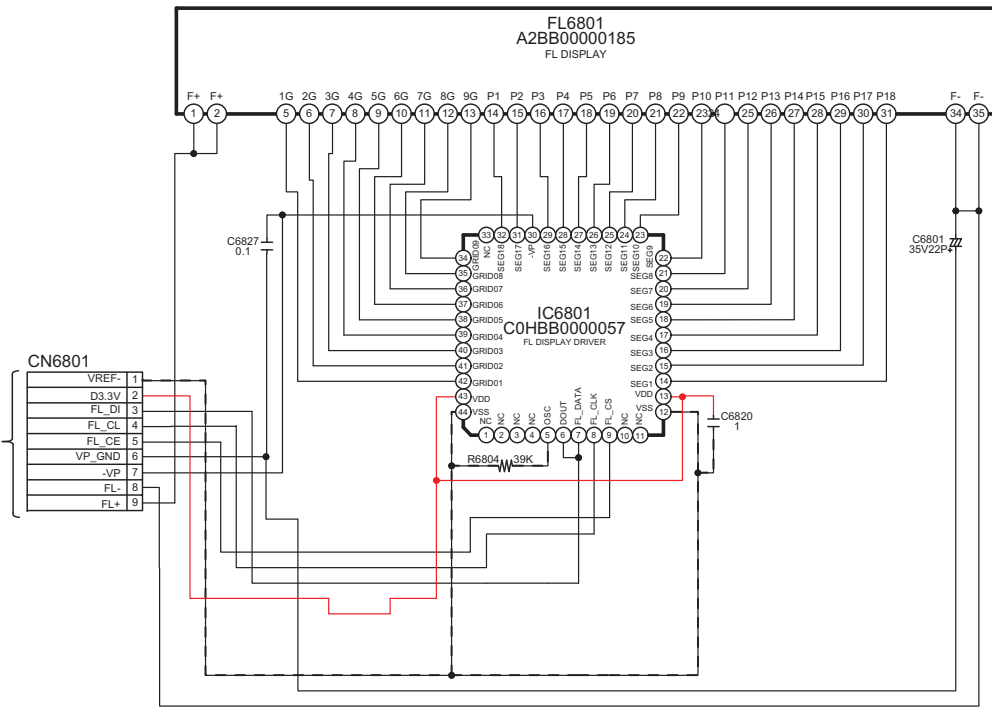
SC-HC37GN/GS/GSX/PU
iPod / REMOTE SENSOR CIRCUIT

14.9. PANEL, INTERLOCK SWITCH, MOTOR & BUTTON CIRCUIT

SCHEMATIC DIAGRAM - 8

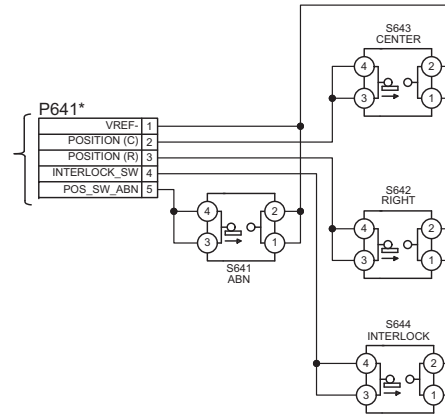
E PANEL CIRCUIT

— : +B SIGNAL LINE — : -B SIGNAL LINE



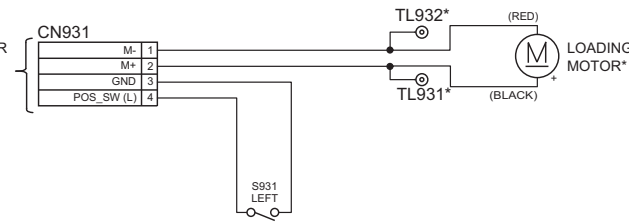
F INTERLOCK SWITCH CIRCUIT

TO D REMOTE SENSOR CIRCUIT (P941) IN SCHEMATIC DIAGRAM - 7



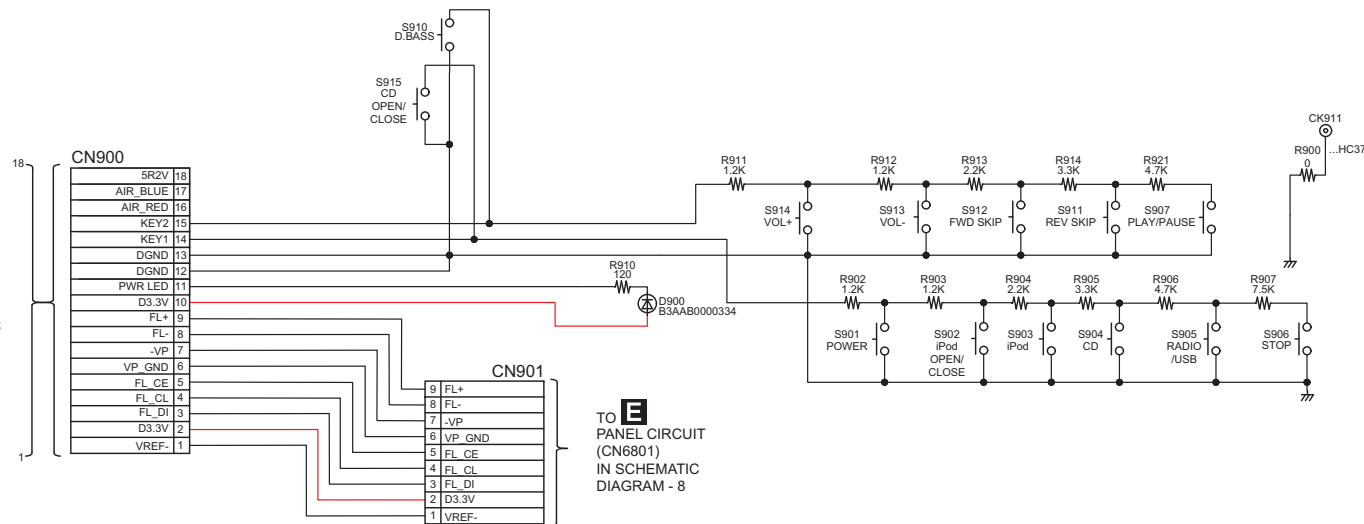
G MOTOR CIRCUIT

TO D REMOTE SENSOR CIRCUIT (P942) IN SCHEMATIC DIAGRAM - 7



H BUTTON CIRCUIT

— : +B SIGNAL LINE



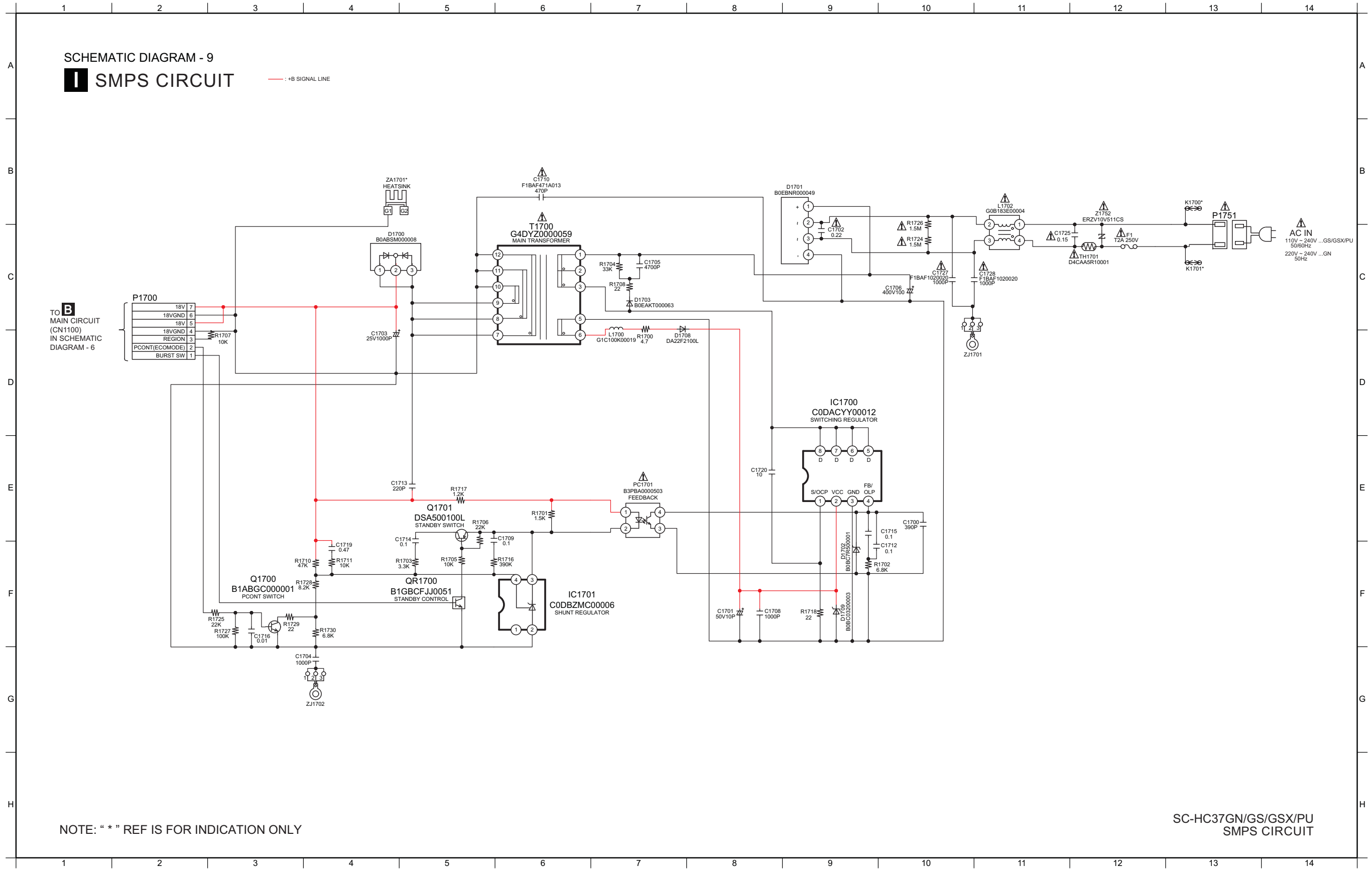
TO B MAIN CIRCUIT (CN6007) IN SCHEMATIC DIAGRAM - 4

TO E PANEL CIRCUIT (CN6801) IN SCHEMATIC DIAGRAM - 8

NOTE: "*" REF IS FOR INDICATION ONLY

SC-HC37GN/GS/GSX/PU
PANEL / INTERLOCK SWITCH / MOTOR / BUTTON CIRCUIT

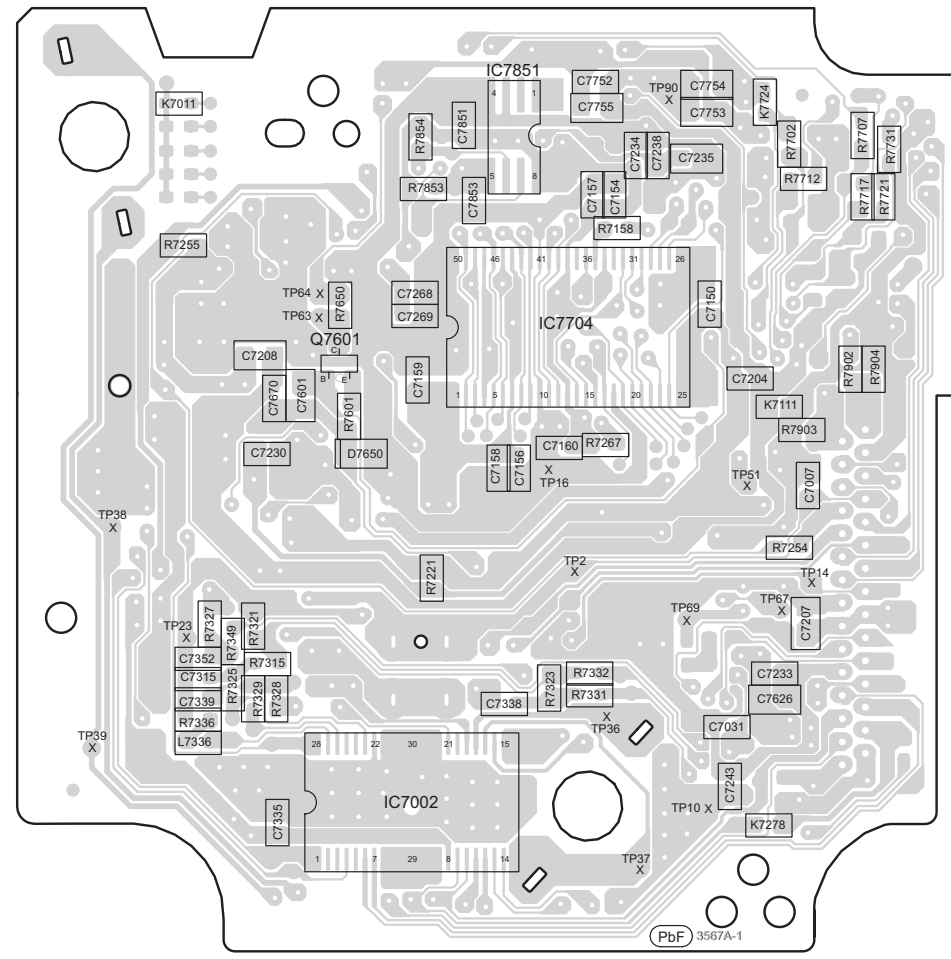
14.10. SMPS CIRCUIT



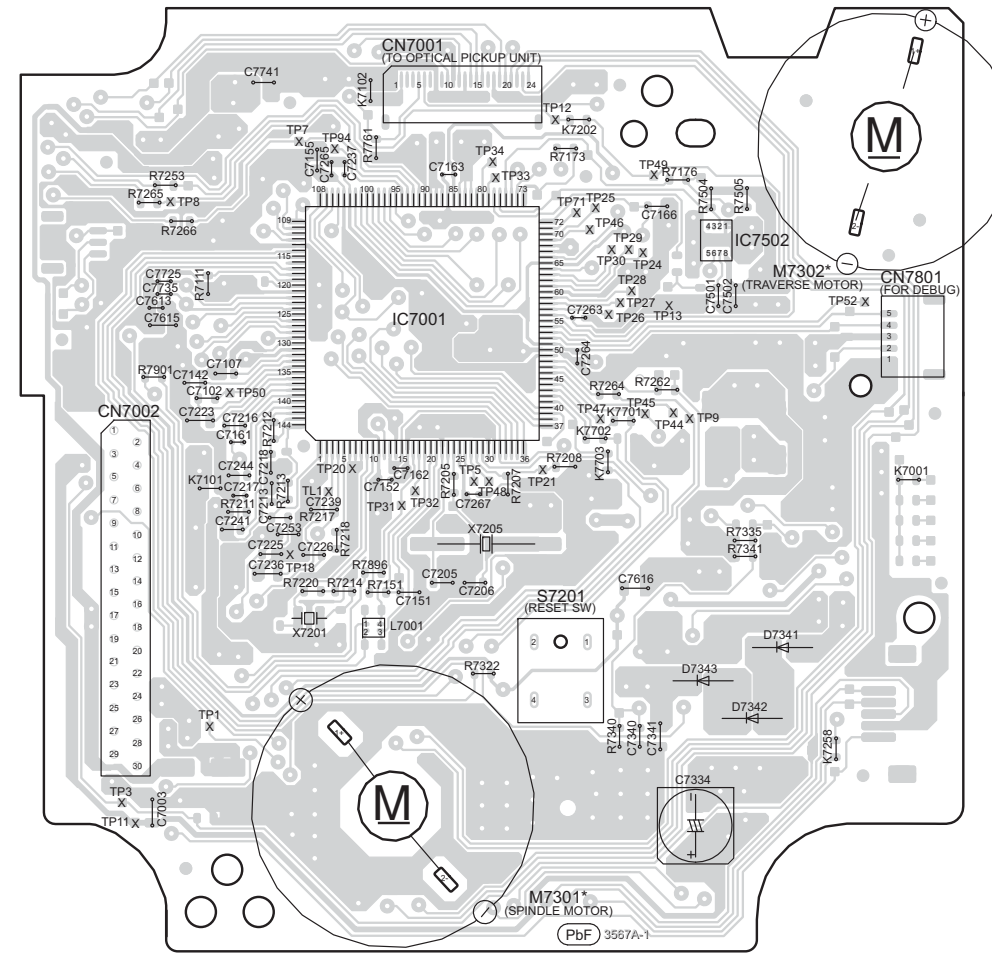
15 Printed Circuit Board

15.1. CD SERVO P.C.B.

A CD SERVO P.C.B. (REP4781A)



(SIDE A)



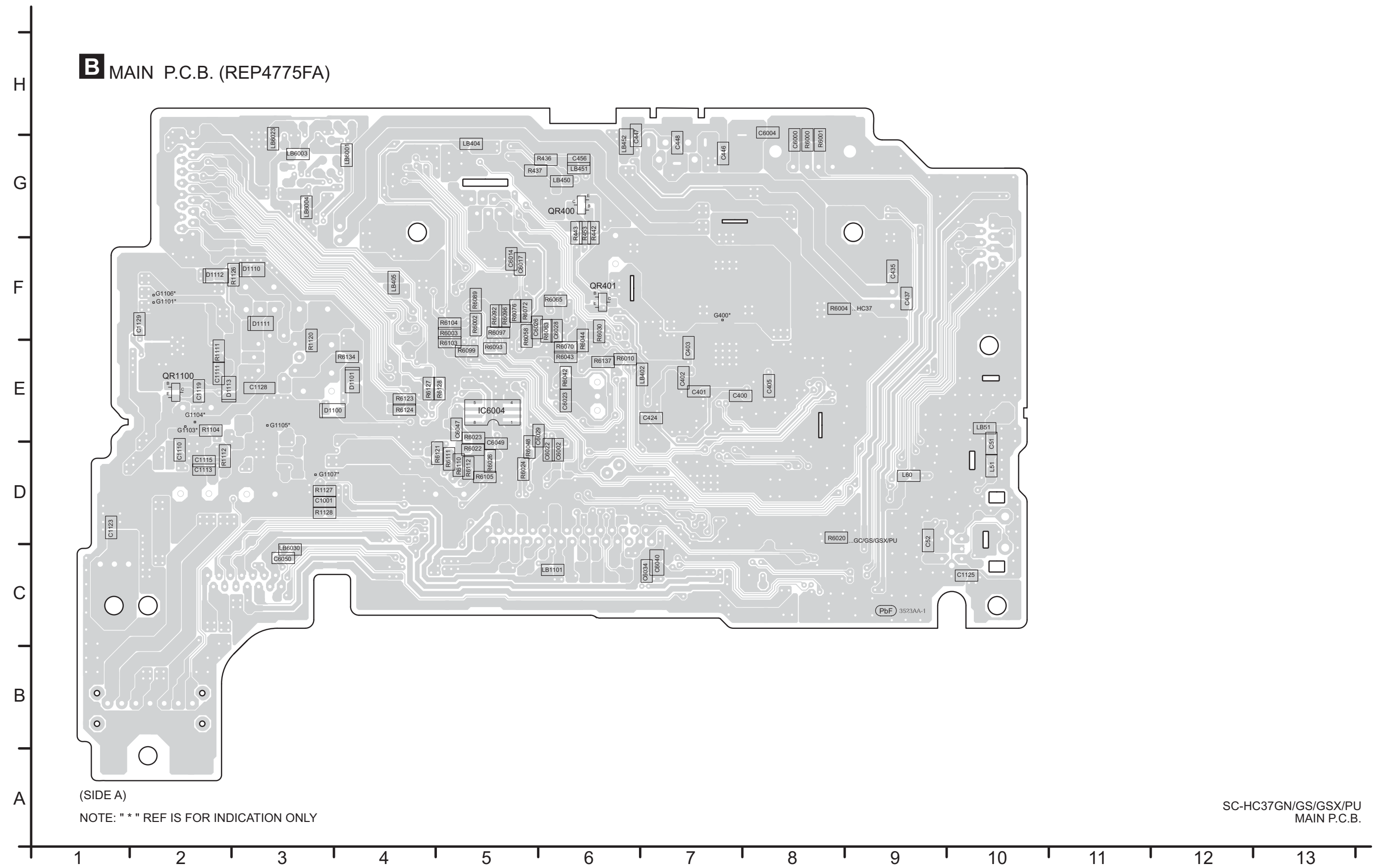
(SIDE B)

NOTE: "*" REF IS FOR INDICATION ONLY

SC-HC37GN/GS/GSX/PU
CD SERVO P.C.B.

15.2. MAIN P.C.B. (Side A)

B MAIN P.C.B. (REP4775FA)

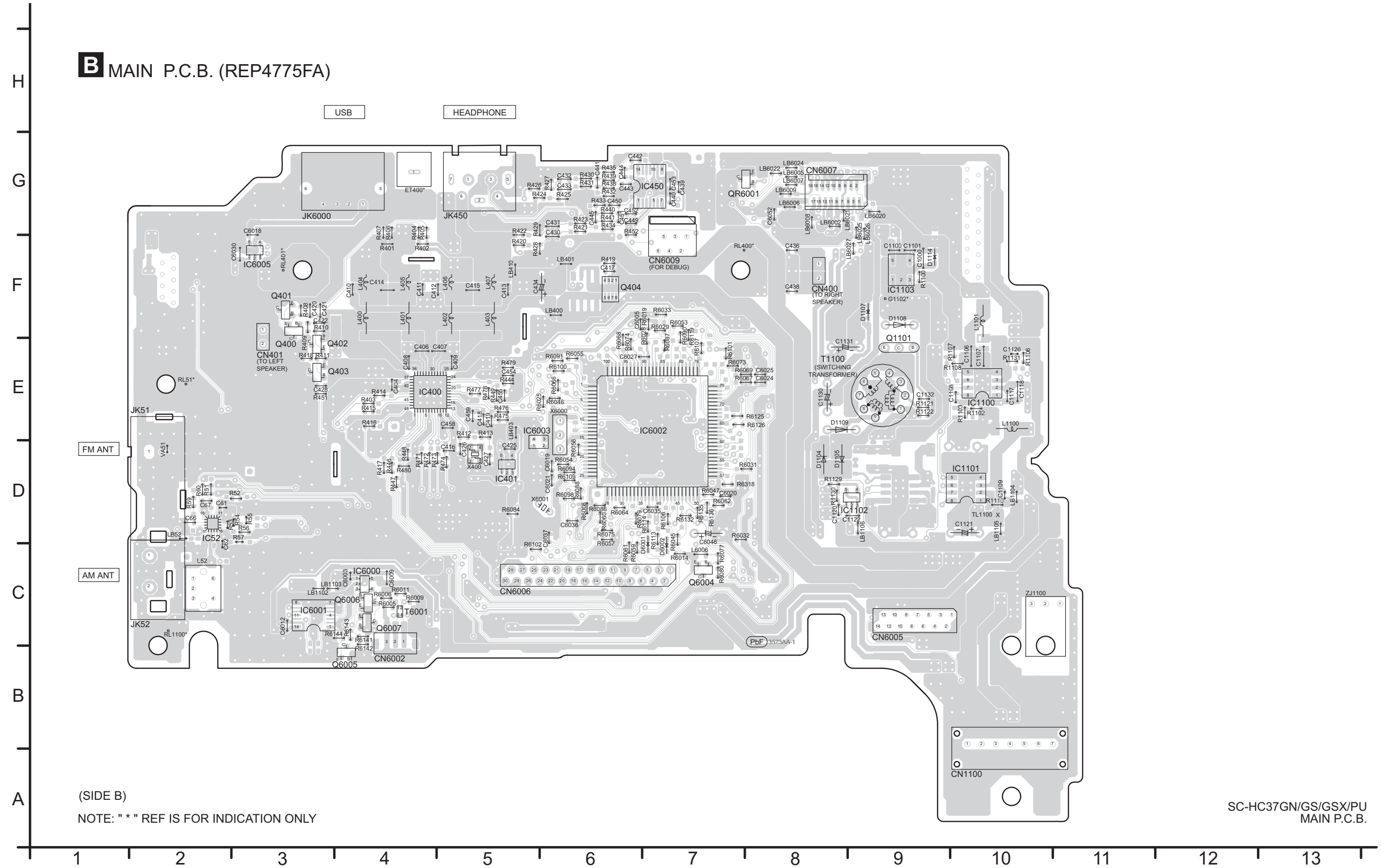


(SIDE A)
NOTE: * * * REF IS FOR INDICATION ONLY

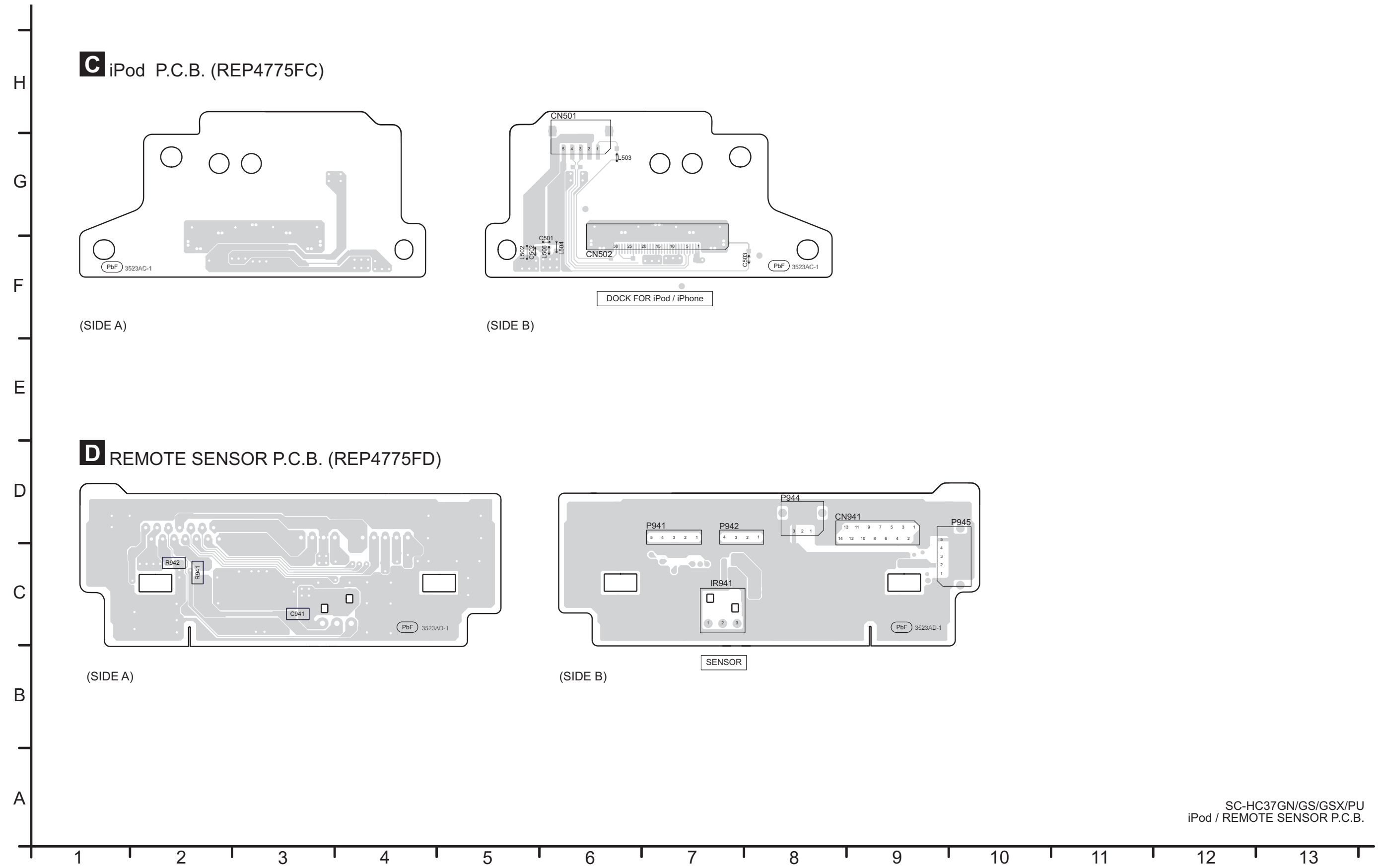
SC-HC37GN/GS/GSX/PU
MAIN P.C.B.

15.3. MAIN P.C.B. (Side B)

B MAIN P.C.B. (REP4775FA)



15.4. iPod & REMOTE SENSOR P.C.B.

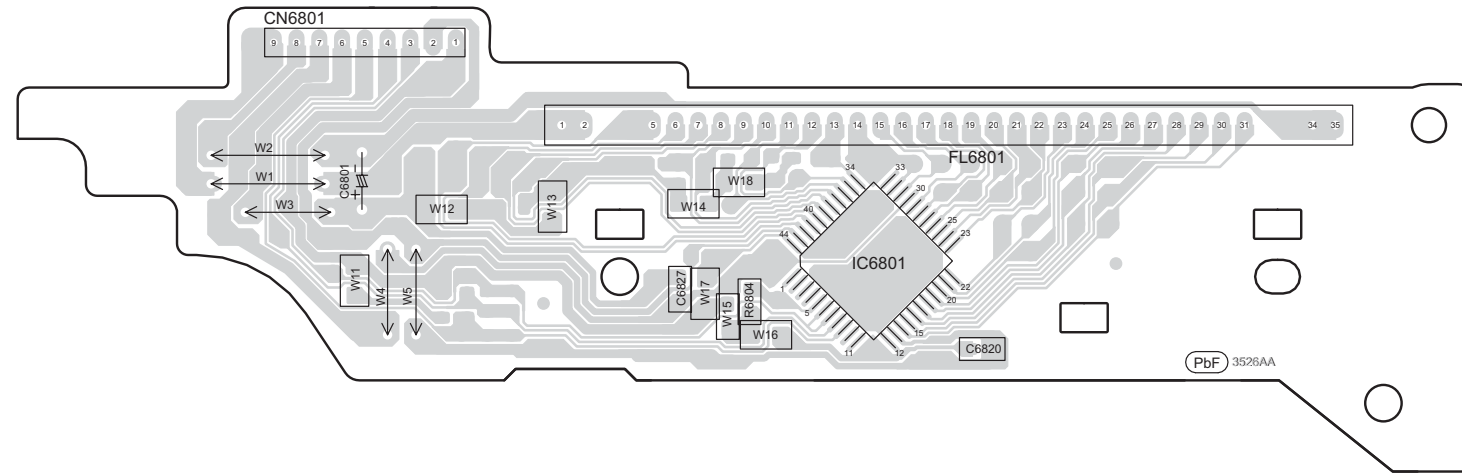


SC-HC37GN/GS/GSX/PU
iPod / REMOTE SENSOR P.C.B.

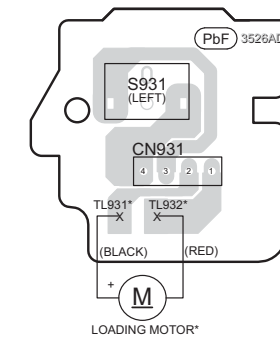
15.5. PANEL, INTERLOCK SWITCH & MOTOR P.C.B.

H
G
F
E
D
C
B
A

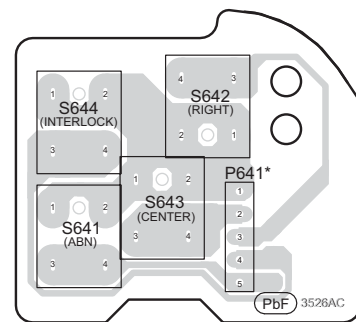
E PANEL P.C.B. (REP4776AA)



G MOTOR P.C.B. (REP4776AD)



F INTERLOCK SWITCH P.C.B. (REP4776AC)



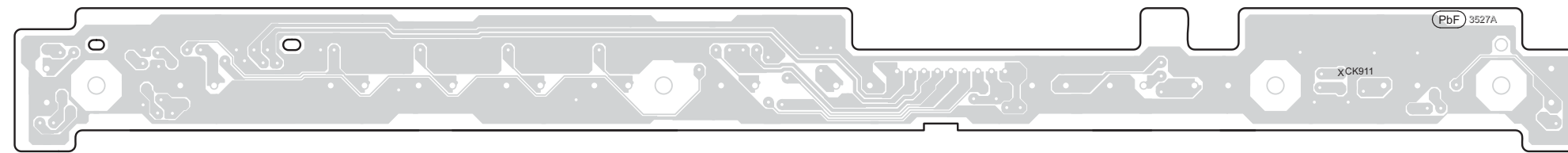
NOTE: " * " REF IS FOR INDICATION ONLY

SC-HC37GN/GS/GSX/PU
PANEL / INTERLOCK SWITCH / MOTOR P.C.B.

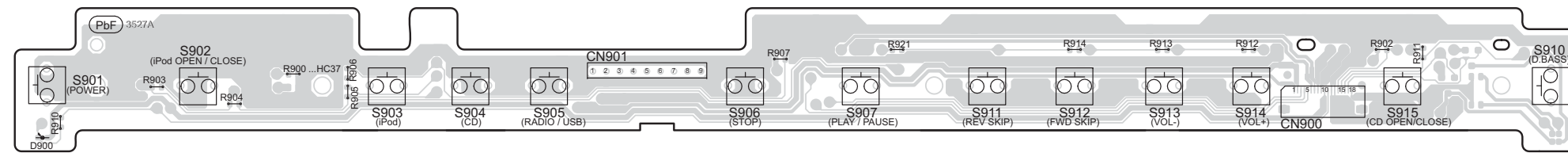
1 2 3 4 5 6 7 8 9 10 11 12 13

15.6. BUTTON & SMPS P.C.B.

H BUTTON P.C.B. (REP4773A)

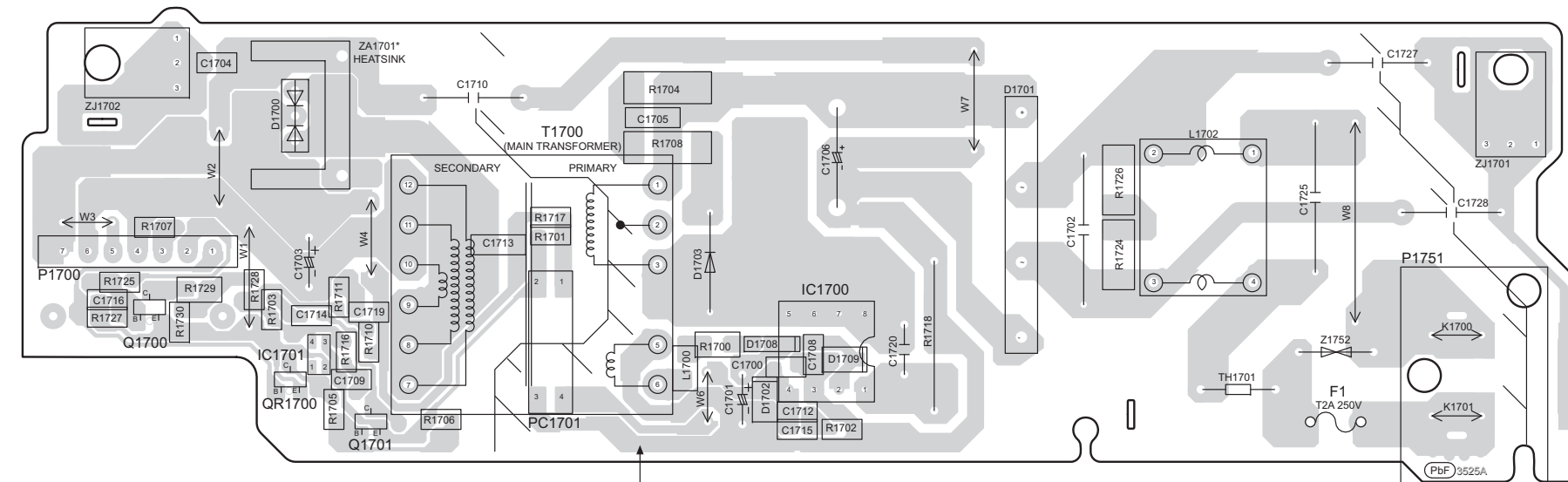


(SIDE A)



(SIDE B)

I SMPS P.C.B. (REP4774C)



AC IN ~
 110V ~ 240V ...GS/GSX/PU
 50/60Hz
 220V ~ 240V ...GN
 50Hz

CAUTION
 RISK OF ELECTRIC SHOCK
 AC VOLTAGE LINE.
 PLEASE DO NOT TOUCH THIS P.C.B.

NOTE: " * " REF IS FOR INDICATION ONLY

SC-HC37GN/GS/GSX/PU
 BUTTON / SMPS P.C.B.

H
G
F
E
D
C
B
A

1 2 3 4 5 6 7 8 9 10 11 12 13

16 Appendix Information of Schematic Diagram

16.1. Voltage Measurement & Waveform Chart

Note:

- Indicated voltage values are the standard values for the unit measured by the DC electronic circuit tester (high-impedance) with the chassis taken as standard.
Therefore, there may exist some errors in the voltage values, depending on the internal impedance of the DC circuit tester.
- Circuit voltage and waveform described herein shall be regarded as reference information when probing defect point because it may differ from actual measuring value due to difference of Measuring instrument and its measuring condition and product itself.

16.1.1. CD SERVO P.C.B. (1/2)

REF NO.	IC7001																			
MODE	1	2	3	4	5	6	7	8	9	10	11	12	13	14	15	16	17	18	19	20
CD PLAY	1.5	0	3.3	3.3	1.7	0	0	0	1.7	1.5	3.3	1.6	1.8	3.3	1.8	0	1.8	0	1.8	3.3
REF NO.	IC7001																			
MODE	21	22	23	24	25	26	27	28	29	30	31	32	33	34	35	36	37	38	39	40
CD PLAY	1.8	0	1.5	1.6	3.3	1.2	1.5	1.2	3.3	0	0	1.5	1.5	1.5	1.5	1.5	1.5	1.5	1.2	1.2
REF NO.	IC7001																			
MODE	41	42	43	44	45	46	47	48	49	50	51	52	53	54	55	56	57	58	59	60
CD PLAY	3.3	3.3	3.3	0	2.1	0	3.3	3.3	3.3	0	3.3	3.3	3.3	0	3.3	3.3	1.2	1.2	1.5	0
REF NO.	IC7001																			
MODE	61	62	63	64	65	66	67	68	69	70	71	72	73	74	75	76	77	78	79	80
CD PLAY	1.2	1.5	1.7	1.5	3.3	1.5	3.3	3.3	1.8	1.2	1.2	3.3	1.5	1.8	1.5	1.5	1.5	1.5	1.2	1.2
REF NO.	IC7001																			
MODE	81	82	83	84	85	86	87	88	89	90	91	92	93	94	95	96	97	98	99	100
CD PLAY	0	3.3	3.3	3.3	3.3	0	3.3	3.3	3.3	1.5	3.3	3.3	3.3	0	1.5	1.5	1.5	1.5	1.5	1.5
REF NO.	IC7001																			
MODE	101	102	103	104	105	106	107	108	109	110	111	112	113	114	115	116	117	118	119	120
CD PLAY	1.5	1.5	3.3	3.3	3.3	1.5	1.5	1.5	1.5	1.5	1.5	1.5	0	3.3	3.3	0	1.5	1.5	2.1	2.1
REF NO.	IC7001																			
MODE	121	122	123	124	125	126	127	128	129	130	131	132	133	134	135	136	137	138	139	140
CD PLAY	2.1	1.5	1.5	1.5	1.5	1.2	1.5	1.8	1.8	0	3.3	3.3	3.3	3.3	3.3	3.3	3.3	3.3	3.3	3.3
REF NO.	IC7001																			
MODE	141	142	143	144																
CD PLAY	3.3	3.3	3.3	3.3																
REF NO.	IC7002																			
MODE	1	2	3	4	5	6	7	8	9	10	11	12	13	14	15	16	17	18	19	20
CD PLAY	1.6	0	3.2	1.6	0	3.3	3.2	7.5	0	0	3.9	3.9	2.7	2.5	2.8	2.5	1.1	3.8	5.1	0
REF NO.	IC7002																			
MODE	21	22	23	24	25	26	27	28	29	30										
CD PLAY	1.5	0	1.1	0	0	1.6	1.6	3.2	0	0										
REF NO.	IC7502																			
MODE	1	2	3	4	5	6	7	8												
CD PLAY	3.2	3.3	0	0	0	1.5	3.3	3.3												
REF NO.	IC7704																			
MODE	1	2	3	4	5	6	7	8	9	10	11	12	13	14	15	16	17	18	19	20
CD PLAY	3.3	1.5	1.5	0	1.5	1.5	3.3	1.5	1.5	0	1.6	1.5	3.3	3.2	3.2	3.2	3.2	0	3.2	0

SC-HC37GN/GS/GSX/PU CD SERVO P.C.B.

16.1.2. CD SERVO P.C.B. (2/2)

REF NO.	IC7704																			
MODE	21	22	23	24	25	26	27	28	29	30	31	32	33	34	35	36	37	38	39	40
CD PLAY	0	1.7	1.8	1.6	3.3	0	1.6	1.6	1.7	1.7	3.2	3.2	0	3.3	0	3.2	0	3.2	1.3	1.4
REF NO.	IC7704																			
MODE	41	42	43	44	45	46	47	48	49	50										
CD PLAY	0	1.3	1.3	3.3	1.3	1.3	0	1.3	1.3	0										
REF NO.	IC7851																			
MODE	1	2	3	4	5	6	7	8												
CD PLAY	0	0	0	0	3.2	3.2	0	3.2												
REF NO.	Q7601																			
MODE	E	C	B																	
CD PLAY	3.0	2.0	2.3																	
SC-HC37GN/GS/GSX/PU CD SERVO P.C.B.																				

16.1.3. MAIN P.C.B. (1/3)

REF NO.	IC52																			
MODE	1	2	3	4	5	6	7	8	9	10	11	12	13	14	15	16	17	18	19	20
TUNER	0	1.5	0	0.8	3.3	3.3	0	3.3	3.3	3.3	3.3	0	1.4	3.3	0	0	3.3	0	0	0
REF NO.	IC400																			
MODE	1	2	3	4	5	6	7	8	9	10	11	12	13	14	15	16	17	18	19	20
CD PLAY	1.6	0	1.4	1.4	2.1	0	3.3	3.3	3.3	0	0	0	1.6	1.6	3.2	3.2	1.6	3.2	1.5	1.5
STANDBY	1.6	0	1.4	1.4	2.1	0	3.3	3.3	3.3	0	0	0	1.6	1.6	3.2	3.2	1.6	3.2	1.5	1.5
REF NO.	IC400																			
MODE	21	22	23	24	25	26	27	28	29	30	31	32	33	34	35	36	37	38	39	40
CD PLAY	3.2	3.2	3.2	0	1.6	16.8	3.2	0	3.1	16.8	16.8	3.3	0	3.3	16.7	2	0	3.3	0	0
STANDBY	3.2	3.2	3.2	0	1.6	16.8	3.2	0	3.1	16.8	16.8	3.3	0	3.3	16.7	2	0	3.3	0	0
REF NO.	IC400																			
MODE	41	42	43	44	45	46	47	48												
CD PLAY	0	0	3.3	1.5	0	0	3.3	1.5												
STANDBY	0	0	3.3	1.5	0	0	3.3	1.5												
REF NO.	IC401																			
MODE	1	2	3	4	5															
CD PLAY	3.3	0	0	1.8	3.3															
STANDBY	3.3	0	0	1.8	3.3															
REF NO.	IC450																			
MODE	1	2	3	4	5	6	7	8	9	10	11	12	13	14						
CD PLAY	3.1	3.1	3.3	0	3.1	3.3	1.6	3.2	3.3	0	0	3.3	3.1	3.1						
STANDBY	3.1	3.1	3.3	0	3.1	3.3	1.6	3.2	3.3	0	0	3.3	3.1	3.1						
REF NO.	IC1100																			
MODE	1	2	3	4	5	6	7	8												
POWER ON	9.3	17.0	4.8	0	0	0.9	3.7	3.5												
STANDBY	9.3	17.0	4.8	0	0	0.9	3.7	3.5												
REF NO.	IC1101																			
MODE	1	2	3	4	5	6	7	8												
POWER ON	9.2	16.5	4.8	0	0	0.9	3.5	3.5												
STANDBY	9.2	16.5	4.8	0	0	0.9	3.5	3.5												
REF NO.	IC1102																			
MODE	1	2	3	4	5															
POWER ON	3.3	0	17.0	2.5	17.0															
STANDBY	3.3	0	17.0	2.5	17.0															
REF NO.	IC1103																			
MODE	1	2	3	4	5															
POWER ON	0	0	5.0	5.0	3.1															
STANDBY	0	0	5.0	5.0	3.1															

SC-HC37GN/GS/GSX/PU MAIN P.C.B.

16.1.4. MAIN P.C.B. (2/3)

REF NO.	IC6000																			
MODE	1	2	3	4	5	6	7	8												
CD PLAY	0	4.8	4.8	0	3.3	5.0	5.0	5.0												
STANDBY	0	4.8	4.8	0	3.3	5.0	5.0	5.0												

REF NO.	IC6001																			
MODE	1	2	3	4	5	6	7	8	9	10	11	12	13	14						
CD PLAY	0	4.1	0	4.0	0	0	0	0	4.2	0	4.2	0	0	3.3						
STANDBY	0	4.1	0	4.0	0	0	0	0	4.2	0	4.2	0	0	3.3						

REF NO.	IC6002																			
MODE	1	2	3	4	5	6	7	8	9	10	11	12	13	14	15	16	17	18	19	20
CD PLAY	3.3	3.3	3.3	3.3	3.3	0	3.3	0	3.3	0	0	1.3	1.6	0	1.7	1.7	3.3	1.8	3.3	3.3
STANDBY	3.3	3.3	3.3	3.3	3.3	0	3.3	0	3.3	0	0	1.3	1.6	0	1.7	1.7	3.3	1.8	3.3	3.3

REF NO.	IC6002																			
MODE	21	22	23	24	25	26	27	28	29	30	31	32	33	34	35	36	37	38	39	40
CD PLAY	3.3	3.3	0	0	3.3	3.3	3.3	3.3	3.3	3.3	0	1.3	0	3.3	3.3	3.3	3.3	1.8	3.3	0
STANDBY	3.3	3.3	0	0	3.3	3.3	3.3	3.3	3.3	3.3	0	1.3	0	3.3	3.3	3.3	3.3	1.8	3.3	0

REF NO.	IC6002																			
MODE	41	42	43	44	45	46	47	48	49	50	51	52	53	54	55	56	57	58	59	60
CD PLAY	2.9	0	3.3	0	3.2	0	0	3.3	0	3.3	3.3	0	0	0	3.3	0	0	0	1.8	3.3
STANDBY	2.9	0	3.3	0	3.2	0	0	3.3	0	3.3	3.3	0	0	0	3.3	0	0	0	1.8	3.3

REF NO.	IC6002																			
MODE	61	62	63	64	65	66	67	68	69	70	71	72	73	74	75	76	77	78	79	80
CD PLAY	3.3	0	0	0	0	3.3	0	0	3.2	0	0	3.3	3.3	3.3	0	0	1.2	0	3.3	3.3
STANDBY	3.3	0	0	0	0	3.3	0	0	3.2	0	0	3.3	3.3	3.3	0	0	1.2	0	3.3	3.3

REF NO.	IC6002																			
MODE	81	82	83	84	85	86	87	88	89	90	91	92	93	94	95	96	97	98	99	100
CD PLAY	3.1	3.2	0	0	0	3.1	0	0	3.3	0	0	3.3	0	3.3	3.3	0	3.3	0	3.0	3.3
STANDBY	3.1	3.2	0	0	0	3.1	0	0	3.3	0	0	3.3	0	3.3	3.3	0	3.3	0	3.0	3.3

REF NO.	IC6003																			
MODE	1	2	3	4																
CD PLAY	3.3	3.3	0	0																
STANDBY	3.3	3.3	0	0																

REF NO.	IC6004																			
MODE	1	2	3	4	5	6	7	8												
CD PLAY	0	0	0	0	3.3	3.3	1.8	3.3												
STANDBY	0	0	0	0	3.3	3.3	1.8	3.3												

REF NO.	IC6005																			
MODE	1	2	3	4	5															
CD PLAY	5.0	0	4.8	0	5.0															
STANDBY	5.0	0	4.8	0	5.0															

SC-HC37GN/GS/GSX/PU MAIN P.C.B.

16.1.5. MAIN P.C.B. (3/3)

REF NO. MODE	Q400			Q401			Q402			Q403									
	E	C	B	E	C	B	E	C	B	E	C	B	E	C	B	E	C	B	
POWER ON	3.7	4.5	3.7		3.7	4.5	3.7		16.5	0	4.5		0	3.2	0				
STANDBY	3.7	4.5	3.7		3.7	4.5	3.7		16.5	0	4.5		0	3.2	0				

REF NO. MODE	Q404								Q1101			Q6004			Q6005		
	1	2	3	4	5	6	7	8	E	C	B	E	C	B	E	C	B
POWER ON	17.0	17.0	17.0	1	17.0	17.0	17.0	17.0	0	8.8	0	3.3	3.3	2.5	0	5.0	0
STANDBY	17.0	17.0	17.0	1	17.0	17.0	17.0	17.0	0	8.8	0	3.3	3.3	2.5	0	5.0	0

REF NO. MODE	Q6006			Q6007			QR400			QR401			QR1100		
	E	C	B	E	C	B	E	C	B	E	C	B	E	C	B
POWER ON	5.0	0	5.0	5.0	0	5.0	0	1.0	2.3	3.3	3.3	0	0	3.7	3.0
STANDBY	5.0	0	5.0	5.0	0	5.0	0	1.0	2.3	3.3	3.3	0	0	3.7	3.0

REF NO. MODE	QR6001															
	E	C	B													
POWER ON	0	0	3.2													
STANDBY	0	0	3.2													

SC-HC37GN/GS/GSX/PU MAIN P.C.B.

16.1.6. PANEL P.C.B.

REF NO. MODE	IC6801																			
	1	2	3	4	5	6	7	8	9	10	11	12	13	14	15	16	17	18	19	20
POWER ON	0	0	0	0	1.9	3.3	3.3	0	1.5	0	0	0	3.3	-26.8	-26.8	-24.5	-15.4	-17.7	-20.0	-24.6
STANDBY	0	0	0	0	1.9	3.3	3.3	0	1.5	0	0	0	3.3	-26.8	-26.8	-24.5	-15.4	-17.7	-20.0	-24.6

REF NO. MODE	IC6801																			
	21	22	23	24	25	26	27	28	29	30	31	32	33	34	35	36	37	38	39	40
POWER ON	-24.5	-24.6	-20.0	-16.4	-26.8	-24.6	-26.8	-20.0	-20.0	-27.4	-15.6	-25.1	-24.8	19.6	-24.5	-24.5	-24.5	-24.5	-24.5	-24.5
STANDBY	-24.5	-24.6	-20.0	-16.4	-26.8	-24.6	-26.8	-20.0	-20.0	-27.4	-15.6	-25.1	-24.8	19.6	-24.5	-24.5	-24.5	-24.5	-24.5	-24.5

REF NO. MODE	IC6801															
	41	42	43	44												
POWER ON	-24.5	-24.5	3.3	0												
STANDBY	-24.5	-24.5	3.3	0												

SC-HC37GN/GS/GSX/PU PANEL P.C.B.

16.1.7. SMPS P.C.B.

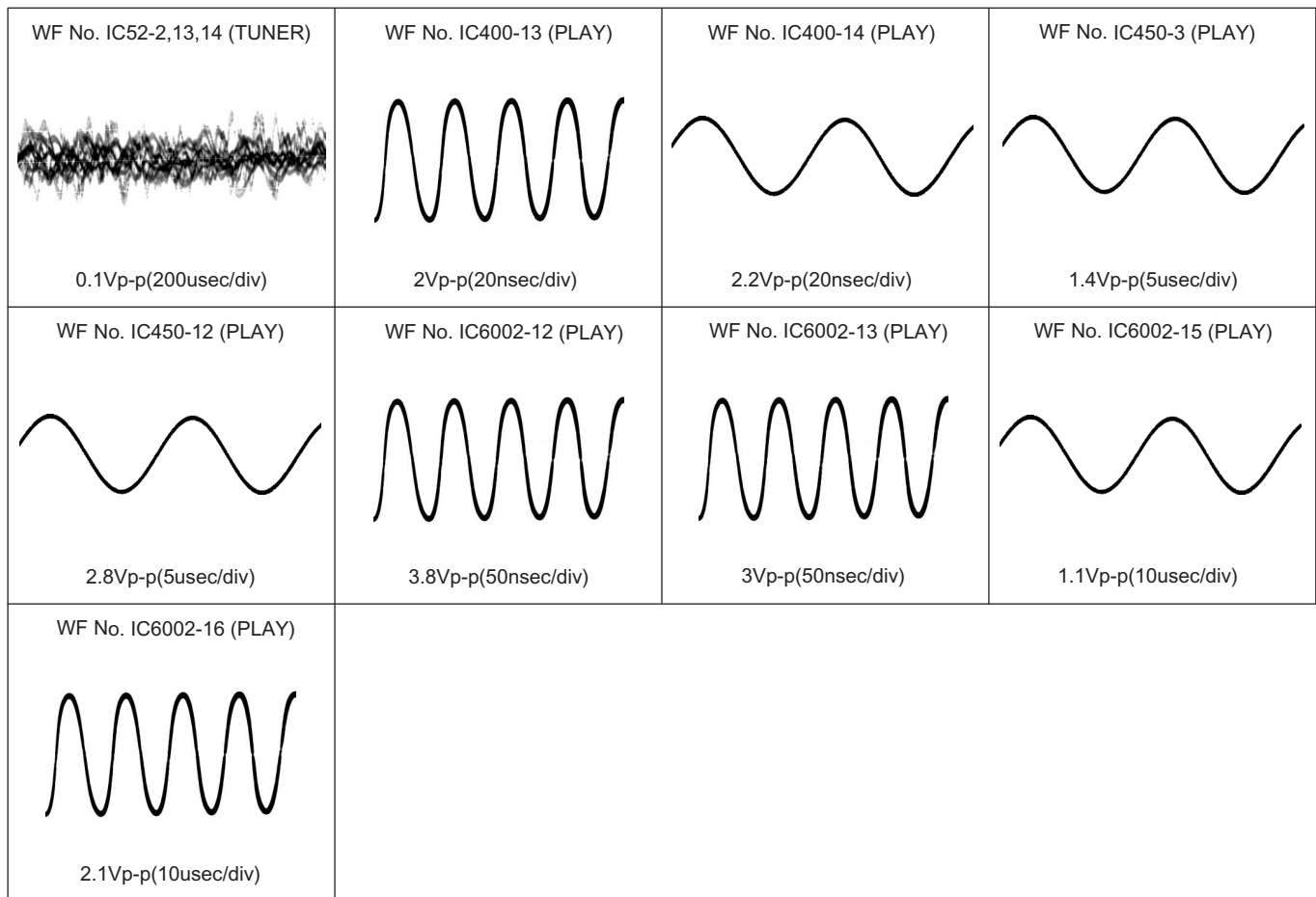
REF NO. MODE	IC1700															
	1	2	3	4	5	6	7	8								
POWER ON	3.0	20.2	0	2.0	1.0	1.0	1.0	1.0								
STANDBY	3.0	20.2	0	2.0	1.0	1.0	1.0	1.0								

REF NO. MODE	IC1701															
	1	2	3	4												
POWER ON	0	0	2.5	18.0												
STANDBY	0	0	2.5	18.0												

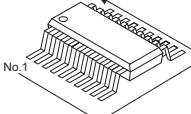
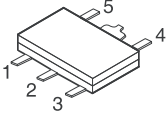
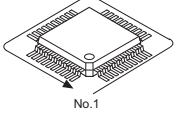
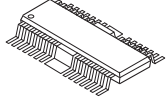
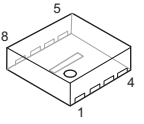
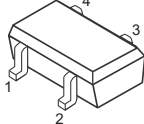
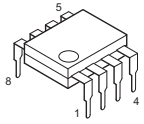
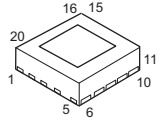
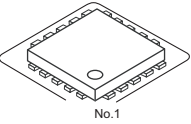
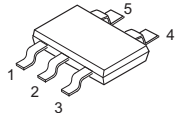
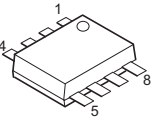
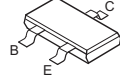
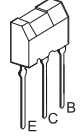
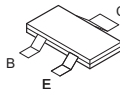
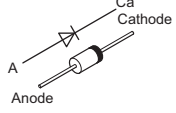
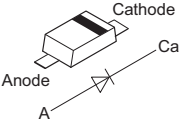
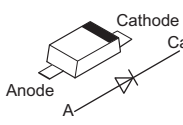
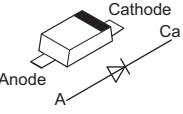
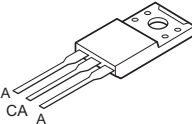
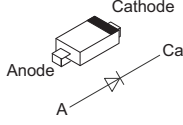
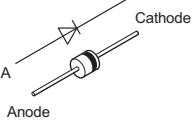
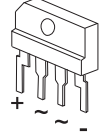
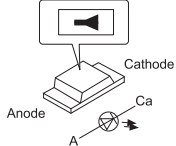
REF NO. MODE	Q1700			Q1701			QR1700												
	E	C	B	E	C	B	E	C	B										
POWER ON	0	18.0	5.0	18.0	18.0	5.0	0	5.0	0										
STANDBY	0	18.0	5.0	18.0	18.0	5.0	0	5.0	0										

SC-HC37GN/GS/GSX/PU SMPS P.C.B.

16.1.8. Waveform Chart



16.2. Illustration of IC's, Transistors and Diodes

	<p>C0DBAYY01462 (8P) C1AB00003801 (14P) C3ABMY000027 (50P) C3EBEY000037 (8P) C3EBFY000029 (8P) C0DBZMC00006 (4P) C0JBAR000586 (14P)</p>	<p>C0DBGYY01843</p> 	<p>MN6627947RD (144P) RFKWMHC37EG (100P) COHBB000057 (44P)</p> 	<p>C0GBY0000117 (30P)</p> 	
<p>MFI337S3959</p> 	<p>C0EBY0000861</p> 	<p>C0DACYY00012</p> 	<p>C1AB00003566</p> 	<p>C1AB00003800 (48P)</p> 	<p>C0DBEYY00146 C0CBCAC00358 C0DBZYY00483 C0DBZYY00381</p> 
<p>B1CHR000051</p> 		<p>B1ADCF000001 B1ADCE000012 B1ABCF000011 B1ABGC000001 DSA500100L B1GBCFJJ0051 B1GBCFNN0038 B1GDCFJJ0041 B1ABCF000176</p>	<p>B1ABMG000008</p> 	<p>B1GBCFJN0038</p> 	<p>B0EAMM000057 B0EAKT000063</p> 
<p>DZ2J030MOL DZ2J056MOL DZ2J110MOL DZ2J220MOL DZ2J390MOL DA2J10100L DZ2J062MOL</p> 		<p>B0BC7R500001 DA22F2100L B0BC03200003</p> 	<p>B0ABSM000008</p> 	<p>B0ECKM000008</p> 	<p>B0JAME000114</p> 
<p>B0EBNR000049</p> 	<p>B3AAB0000334</p> 				

16.3. Terminal Function of IC's

16.3.1. IC6002 (RFKWMHC37EG) MICRO PROCESSOR IC

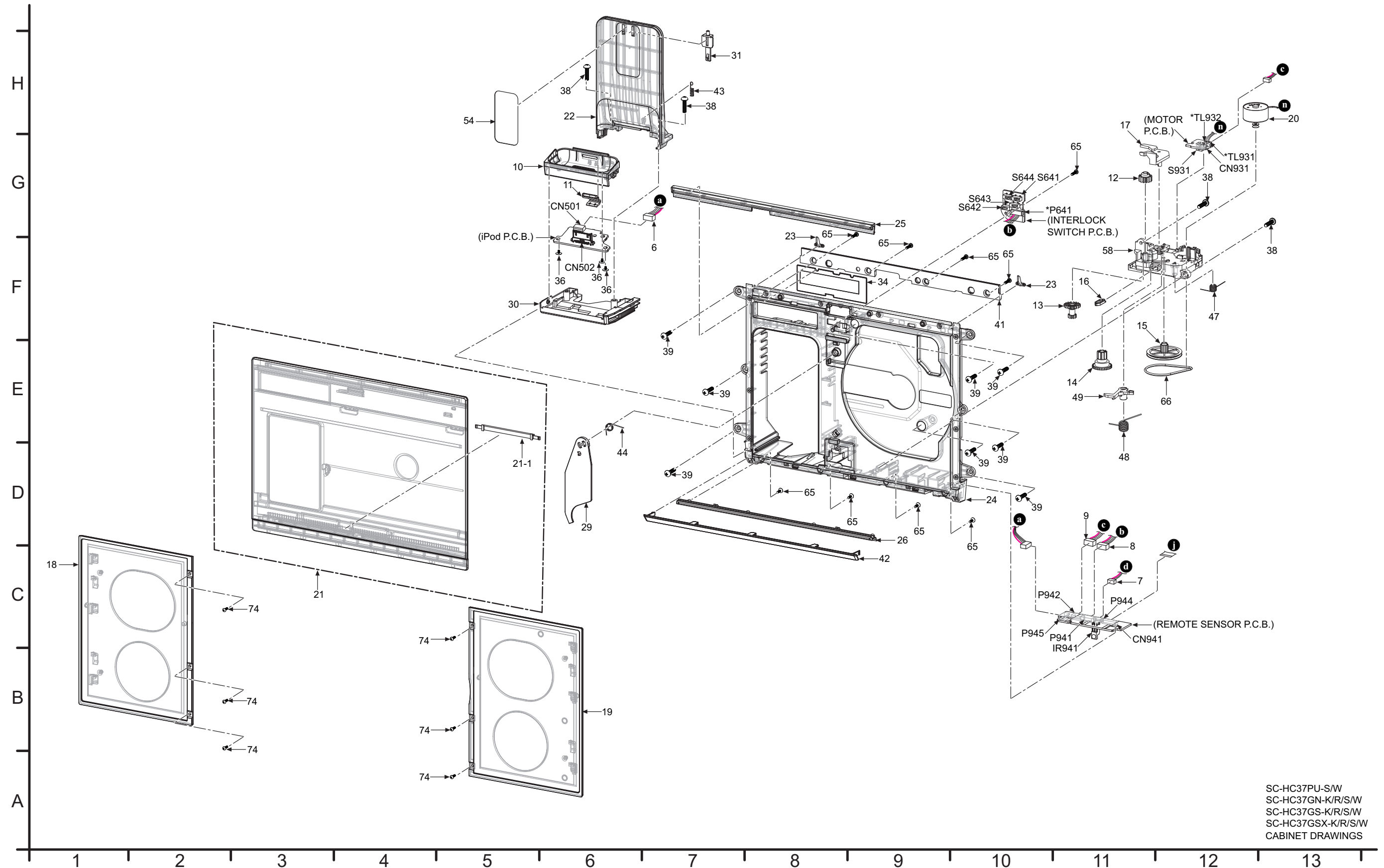
Pin No.	Mark	I/O	Function
1	DAMP_RST	O	DAMP RESET
2	DAMP_SLEEP	O	DAMP SLEEP MODE
3	DAMP_MUTE	O	DAMP MUTING
4	OCD_SDA	O	OCD SERIAL DATA
5	PDET2 (D_AMP)	I	D-AMP WARNING / ERROR DETECT (ACTIVE LOW= ERROR)
6	OCD_SCK	O	OCD SERIAL DATA CLOCK
7	HPMUTE	O	HEADPHONE MUTING
8	LID_RIGHT	O	SLIDING DOOR OPEN.CLOSE CONTROL RIGHT
9	DAMP_ERR	I	DAMP ERROR
10	LID_LEFT	O	SLIDING DOOR OPEN.CLOSE CONTROL LEFT
11	GND_MM0D0	-	GROUND
12	OSC2(OUT)	O	OSCILLATOR OUTPUT
13	OSC1(IN)	I	OSCILLATOR INPUT
14	VSS	-	GROUND
15	XI	O	OSCILLATOR OUTPUT
16	XO	O	OSCILLATOR INPUT
17	VDD33	-	+3.3 VOLTAGE SUPPLY
18	VDD18	-	+1.8 VOLTAGE SUPPLY
19	NRST	I	ACTIVE LOW RESET
20	CD_M_REQ	O	CD MICRO-PROCESSOR INTERRUPT REQUEST
21	RST_SW	I	RESET SWITCH
22	CD_RESET	O	CD RESET
23	I2S_OFF	O	I2S ON/OFF (FOR V TUNER)
24	USB_EN	O	USB ENABLE
25	REM_IN	I	REMOTE CONTROL INPUT
26	USB_OVC	I	USB OVERCURRENT
27	USB_IN	I	USB IN
28	TUN_INT	I	TUNER INTERRUPT
29	CD_S_REQ	I	CD STATUS REQUEST
30	NC (PULL UP)	-	NO CONNECTION
31	NC	-	NO CONNECTION
32	NC	-	NO CONNECTION
33	NC	-	NO CONNECTION
34	CD_SI	O	CD SERIAL INPUT
35	CD_SO	I	CD SERIAL OUTPUT
36	CD_SCLK	O	CD SERIAL CLOCK
37	VDD18	-	+1.8 VOLTAGE SUPPLY
38	TRV_CW	O	TRAVERSE MOTOR CLOCKWISE
39	VSS	-	GROUND
40	TRV_CCW	O	TRAVERSE MOTOR COUNTER-CLOCKWISE
41	NC	-	NO CONNECTION
42	NC	-	NO CONNECTION
43	iPod_OVC	I	iPod OVERCURRENT PROTECTION
44	POS_SW_ABN	O	POSITION SWITCH ABNORMAL DETECT
45	iPod_DET	I	iPod DETECT
46	POS_SW_L	I	SLIDING DOOR POSITION DETECT (L)
47	POS_SW_CEN	I	SLIDING DOOR POSITION DETECT @
48	POS_SW_R	I	SLIDING DOOR POSITION DETECT @
49	iPod_PCONT	O	iPod POWER CONTROL
50	PCONT_POW	O	POWER CONTROL
51	SMPS_CUT	O	SMPS CUTOFF
52	ECO_MODE	-	NO CONNECTION
53	STBY_CTRL	O	STANDBY CONTROL

Pin No.	Mark	I/O	Function
54	MODEL_SEL	I	MODEL SELECTION
55	AP_RESET	-	AIRPLAY RESET (FOR HC57 ONLY)
56	AP_V1R2_ON	-	NO CONNECTION (FOR HC57 ONLY)
57	AP_V1R9_ON	-	NO CONNECTION (FOR HC57 ONLY)
58	AP_CS	-	AIRPLAY CHIP SELECT (FOR HC57 ONLY)
59	NC	-	NO CONNECTION
60	EE_SCL	O	EEPROM SERIAL CLOCK
61	EE_SDA	I/O	EEPROM SERIAL DATA
62	CRTIMER	-	NO CONNECTION
63	VSS	-	GROUND
64	AP_LED1	-	AIRPLAY LED DRIVE (FOR HC57 ONLY)
65	AP_LED2	-	AIRPLAY LED DRIVE (FOR HC57 ONLY)
66	AP_LED3	-	AIRPLAY LED DRIVE (FOR HC57 ONLY)
67	NC	-	NO CONNECTION
68	NC	-	NO CONNECTION
69	PWR_LED	O	POWER LED DRIVE
70	NC	-	NO CONNECTION
71	NC	-	NO CONNECTION
72	AP_DIN	-	AIRPLAY DATA IN (FOR HC57 ONLY)
73	AP_DOUT	-	AIRPLAY DATA OUT (FOR HC57 ONLY)
74	AP_CLK	-	AIRPLAY CLOCK (FOR HC57 ONLY)
75	NC	-	NO CONNECTION
76	FL_DI	O	FL DISPLAY DATA INPUT
77	FL_CS	O	FL DISPLAY CHIP SELECT
78	FL_CLK	O	FL DISPLAY CLOCK
79	TU_SDA	I/O	TUNER SERIAL DATA
80	TU_RST	O	TUNER RESET
81	TU_SCL	O	TUNER SERIAL CLOCK
82	DAMP_SDA	I/O	DAMP SERIAL DATA
83	NC	-	NO CONNECTION
84	DAMP_SCL	O	DAMP SERIAL CLOCK
85	AP_IREQ	O	AIRPLAU INTERRUPT REQUEST (FOR HC57 ONLY)
86	NC	-	NO CONNECTION
87	NC	-	NO CONNECTION
88	NC	-	NO CONNECTION
89	VDD	-	VOLTAGE SUPPLY
90	NC	-	NO CONNECTION
91	VSS	-	GROUND
92	KEY1	I	KEY INPUT 1
93	REGION_SUB	I	REGION SETTING
94	KEY2	I	KEY INPUT 2
95	SMPS_REG	I	SMPS TYPE DETECTION
96	PDET1 (REG)	I	REGULATOR POWER RISE DETECT
97	REGION	I	TUNER REGION SETTING
98	NC	-	NO CONNECTION
99	M_VDET	I	SMPS POWER DETECT / POWER DROP DETECTION
100	VREF+	-	VOLTAGE SUPPLY

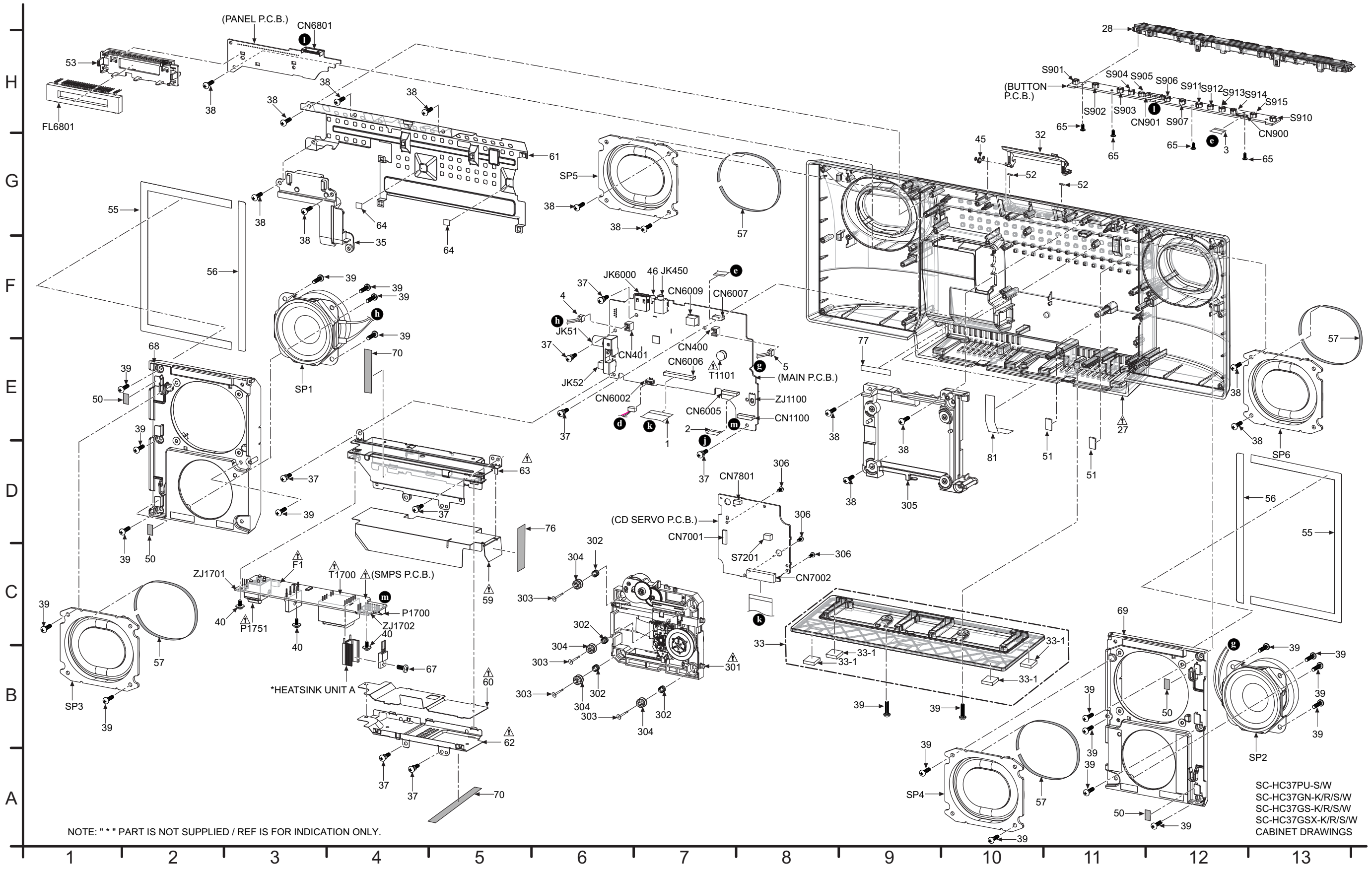
17 Exploded View and Replacement Parts List

17.1. Exploded View and Mechanical replacement Parts List

17.1.1. Cabinet Parts Location



SC-HC37PU-S/W
 SC-HC37GN-K/R/S/W
 SC-HC37GS-K/R/S/W
 SC-HC37GSX-K/R/S/W
 CABINET DRAWINGS

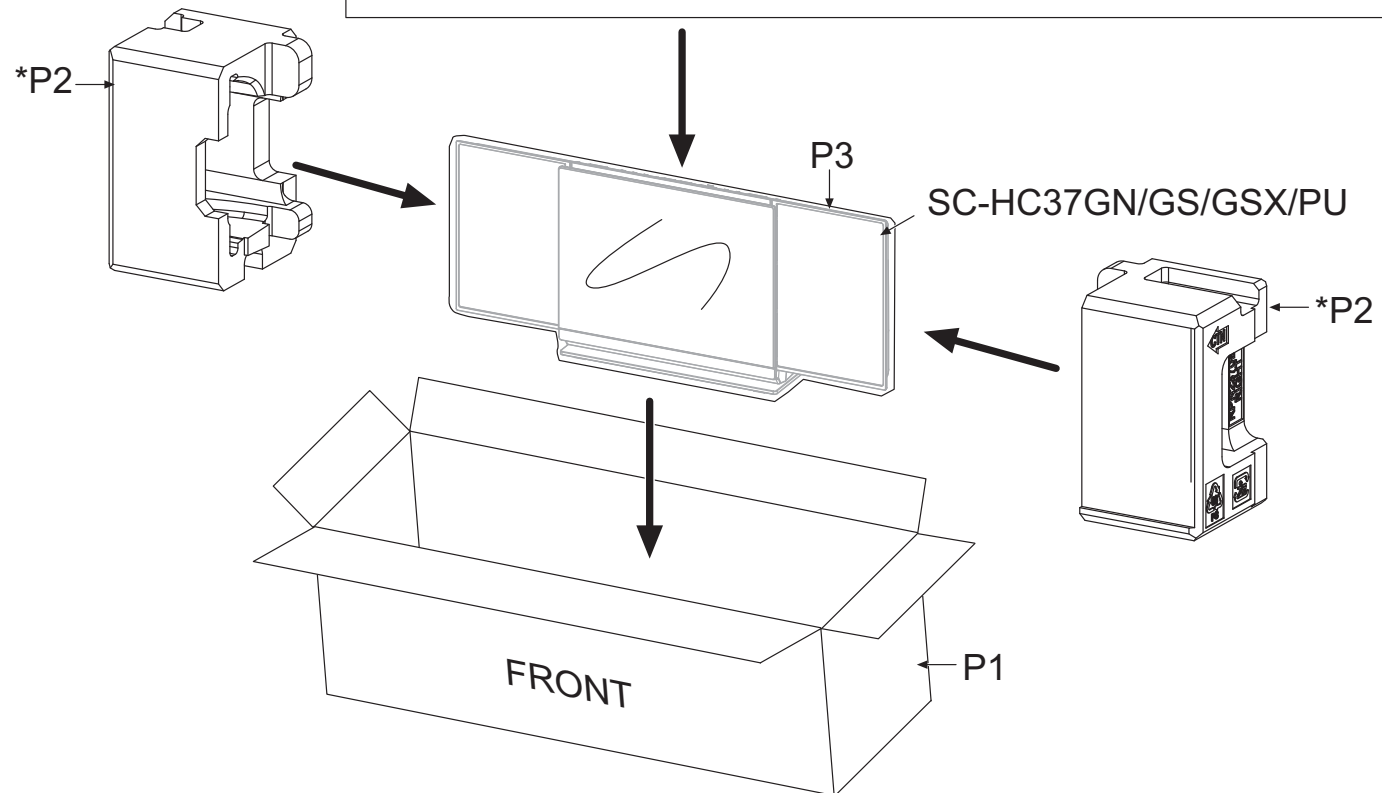
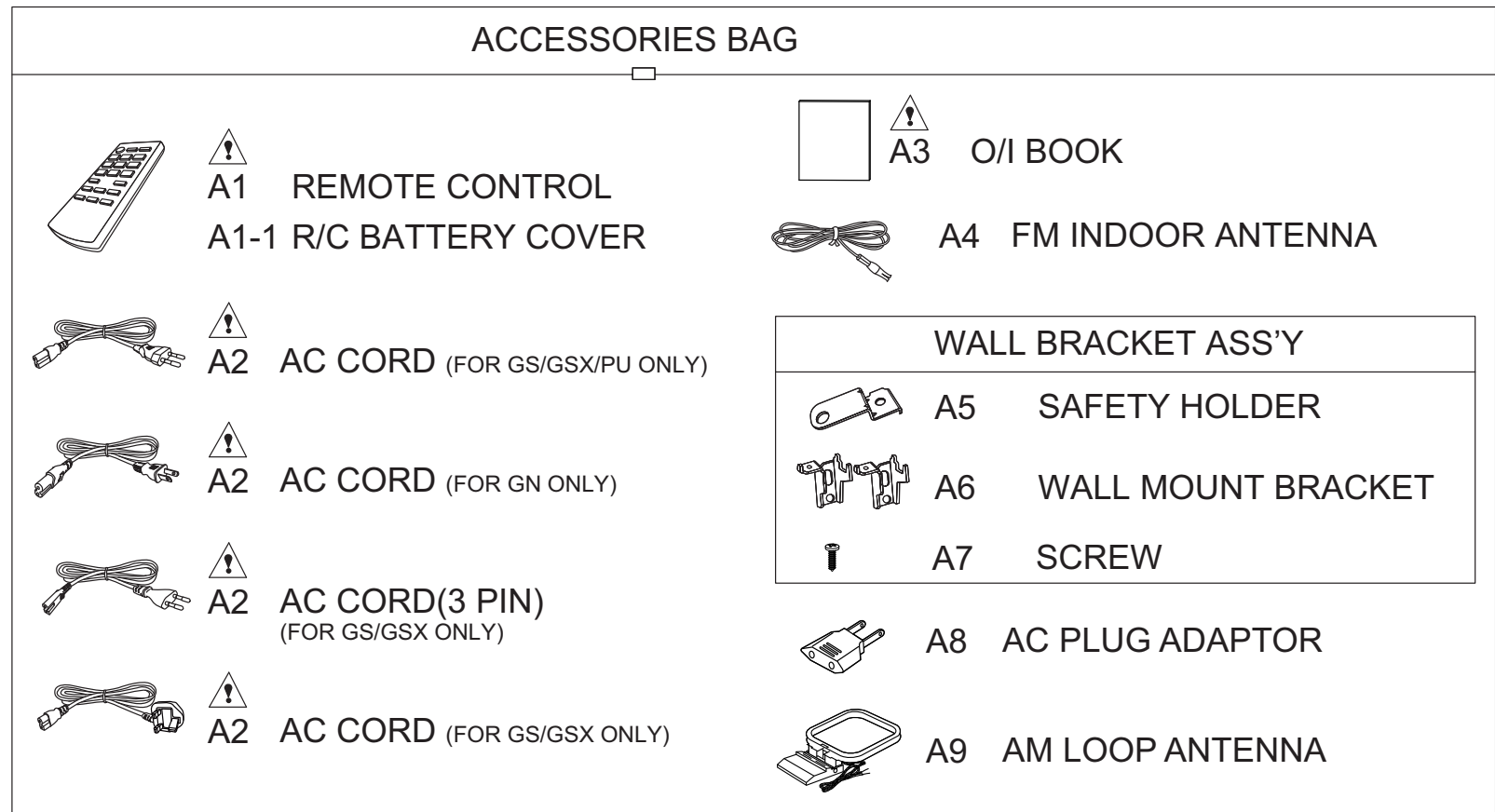


NOTE: " * " PART IS NOT SUPPLIED / REF IS FOR INDICATION ONLY.

- SC-HC37PU-S/W
- SC-HC37GN-K/R/S/W
- SC-HC37GS-K/R/S/W
- SC-HC37GSX-K/R/S/W
- CABINET DRAWINGS

17.1.2. Packaging

H
G
F
E
D
C
B
A



SC-HC37PU-S/W
 SC-HC37GN-K/R/S/W
 SC-HC37GS-K/R/S/W
 SC-HC37GSX-K/R/S/W
 PACKAGING DRAWINGS

1 2 3 4 5 6 7 8 9 10 11 12 13

17.1.3. Mechanical Replacement Parts List

Important Safety Notice

Components identified by Δ mark have special characteristics important for safety. When replacing any of these components, use only manufacturer's specified parts.

RTL (Retention Time Limited)

Note: The marking (RTL) indicates that the Retention Time is Limited for this item.

After the discontinuation of this assembly in production, the item will continue to be available for a specific period of time. The retention period of availability is dependant on the type of assembly, and in accordance with the laws governing part and product retention. After the end of this period, the assembly will no longer be available.

Note:

- When replacing any of these components, be sure to use only manufacturer's specified parts shown in the replacement part list.
- The parenthesized indications on the Remarks column specify the destination & product color (Refer to the cover page for the information).
- Parts without these indications shall be used for all areas.
- This product uses a laser diode. Refer to "Precaution of Laser Diode".
- All parts mentioned are supplied by PAVCSG unless indicated likewise.
- Parts mentioned [SPG] in the Remarks column are supplied by PAVC-CSG.
- Reference for O/I book languages are as follows:

Ar:	Arabic	Du:	Dutch	It:	Italian	Sp:	Spanish
Cf:	Canadian French	En:	English	Ko:	Korean	Sw:	Swedish
Cz:	Czech	Fr:	French	Po:	Polish	Co:	Traditional Chinese
Da:	Danish	Ge:	German	Ru:	Russian	Cn:	Simplified Chinese
Pe:	Persian	Ur:	Ukraine	Pr:	Portuguese		

Safety	Ref. No.	Part No.	Part Name & Description	Qty	Remarks
			CABINET AND CHASSIS		
	1	REE1665	30P FFC (MAIN - CD SERVO)	1	
	2	REE1666	14P FFC (MAIN - REMOTE SENSOR)	1	
	3	REE1667	18P FFC (BUTTON - MAIN)	1	
	4	REX1475	2P WIRE (SP1 - MAIN)	1	
	5	REX1476	2P WIRE (SP2 - MAIN)	1	
	6	REX1478	5P CABLE WIRE (iPOD - REMOTE SENSOR)	1	
	7	REX1479	3P WIRE (REMOTE SENSOR - MAIN)	1	
	8	REX1516	5P WIRE (REMOTE SENSOR - INTER-LOCK SWITCH)	1	
	9	REX1517	4P WIRE (MOTOR - REMOTE SENSOR)	1	
	10	RGK2314-K	I-POD TOP TRAY	1	
	11	RMVX1003-K	CRADLE KEY	1	
	12	RDG0655	DRIVE GEAR A	1	
	13	RDG0656	DRIVE GEAR B	1	
	14	RDG0657	RELAY GEAR	1	
	15	RDG0658-1	PULLEY GEAR	1	
	16	RMM0309	CENTERING STOPPER	1	
	17	RMM0311	TRIGGER LEVER	1	

Safety	Ref. No.	Part No.	Part Name & Description	Qty	Remarks
	18	RFKGGHC37P-KL	FRONT ORNAMENT UNIT L	1	K, R, S
	18	RFKGGHC37-WL	FRONT ORNAMENT UNIT L	1	W
	19	RFKGGHC37P-KR	FRONT ORNAMENT UNIT R	1	K, R, S
	19	RFKGGHC37-WR	FRONT ORNAMENT UNIT R	1	W
	20	RFKPHC37P-K	MOTOR ASS'Y	1	
	21	RYP1727D-S4	DOOR UNIT	1	S
	21	RYP1727D-1W5	DOOR UNIT	1	W
	21	RYP1727D-K3	DOOR UNIT	1	K
	21	RYP1727D-R4	DOOR UNIT	1	R
	21-1	RDP0120	IDLING RACK	1	
	22	RGK2315-K1	I-POD SUPPORT	1	
	23	RGL0763-Q	LIGHTING PIECE	2	
	24	RGP1518-K	FRONT CABINET	1	
	25	RGP1519-K	UPPER GUIDE RAIL	1	
	26	RGP1520-K	LOWER GUIDE RAIL	1	
Δ	27	RFKHHC37PU-S	REAR CABINET ASS'Y	1	PU-S
Δ	27	RFKHHC37PU-W	REAR CABINET ASS'Y	1	PU-W
Δ	27	RFKHHC37GS-W	REAR CABINET ASS'Y	1	GS-W GSX-W
Δ	27	RFKHHC37GS-S	REAR CABINET ASS'Y	1	GS-S GS-R GS-K, GSX-S, GSX-K, GSX-R
Δ	27	RFKHHC37GN-S	REAR CABINET ASS'Y	1	GN-S GN-R GN-K
	28	RYP1766D-K	BUTTON ORNAMENT UNIT	1	K, R, S

Safety	Ref. No.	Part No.	Part Name & Description	Qty	Remarks
	28	RYP1766D-W	BUTTON ORNAMENT UNIT	1	W
	29	RGQ0646-K	SHUTTER	1	
	30	RGQ0647-K	I-POD BASE	1	
	31	RGQ0648-K	SLIDE GUIDE PIN	1	
	32	RGQ0649-K	JACK LID	1	K, R, S
	32	RGQ0649-W	JACK LID	1	W
	33	RYQ0903-K	BASE STAND UNIT	1	
	33-1	RKAX0028-K	LEG CUSHION	4	
	34	RGQ0651-R1	FL FILTER	1	
	35	RGQ0667A-K	TUNER HOLDER	1	K, R, S
	35	RGQ0667A-W	TUNER HOLDER	1	W
	36	RHD14136	SCREW	3	
	37	RHD26043-1	SCREW	8	
	38	RHD26046	SCREW	17	
	39	RHD26046-K	SCREW	30	
	40	RHD30092-1	SCREW	3	
	41	RKW0980-Q	TOP ORNAMENT	1	
	42	RKW0981-K	BOTTOM ORNAMENT	1	
	43	RMB0934	IPOD SUPPORT SPRING	1	
	44	RMB0938	SHUTTER SPRING	1	
	45	RMB0940	LID SPRING	1	
	46	RMC0667	EARTH SPRING	1	
	47	RME0489	CENTERING SPRING	1	
	48	RME0490	LEVER SPRING	1	
	49	RMM0310	SW LEVER	1	
	50	RMG0877-K	LID CUSHION	4	
	51	RMG0883-K	CUSHION	2	
	52	RMGX0033	CUSHION RUBBER	2	
	53	RMN1000	FL HOLDER	1	
	54	RMQ1921	IPOD CUSHION	1	
	55	RMQ2007	EPT SEALER (BARRIER)	2	
	56	RMQ2008	EPT SEALER (BARRIER)	2	
	57	RMQ2009	EPT SEALER (PASSIVE RADIATOR)	4	
	58	RMR2047-K1	MOTOR BASE	1	
△	59	RMV0390	SMPS INSULATOR A	1	
△	60	RMV0391-1	SMPS INSULATOR B	1	
	61	RSC1071	BACK SHIELD	1	
△	62	RSC1072	SMPS SHIELD PLATE	1	
△	63	RSC1073-1	SMPS BRACKET	1	
	64	RSC1097	D-AMP HEAT ABSORBER	2	
	65	VHD1224-1A	SCREW	13	
	66	VMG1720	BELT	1	
	67	XTB3+8JFJ-J	SCREW	1	
	68	RKP0151-K1	SPEAKER CABINET L	1	
	69	RKP0152-K1	SPEAKER CABINET R	1	
	70	RMFX1027	HIMELON	2	
	74	RHD20089	SCREW	6	
	76	RMFX1026	HIMELON	1	
	77	RMG0809-K	CUSHION	1	
	81	RSC1125	iPhone SHIELD	1	
			SPEAKERS		
	SP1	EAS65P144E	FRONT SPEAKER	1	
	SP2	EAS65P144E	FRONT SPEAKER	1	
	SP3	EAS8DY02B	PASSIVE RADIATOR	1	
	SP4	EAS8DY02B	PASSIVE RADIATOR	1	
	SP5	EAS8DY02B	PASSIVE RADIATOR	1	
	SP6	EAS8DY02B	PASSIVE RADIATOR	1	
			TRAVERSE DECK		
△	301	RAE5301Z-V	TRAVERSE UNIT	1	
	302	RME0109-1	FLOATING SPRING	4	
	303	RMS0757-1	FIX PIN	4	

Safety	Ref. No.	Part No.	Part Name & Description	Qty	Remarks
	304	RMG0730-G	FLOATING RUBBER	4	
	305	RMQ2020	MIDDLE CHASSIS	1	
	306	XTN2+6GFJ	SCREW	3	
			PACKING MATERIALS		
	P1	RPG9801	PACKING CASE	1	PU-S
	P1	RPG9802	PACKING CASE	1	PU-W
	P1	RPG9810	PACKING CASE	1	GS-S GSX-S
	P1	RPG9811	PACKING CASE	1	GS-K GSX-K
	P1	RPG9812	PACKING CASE	1	GS-W GSX-W
	P1	RPG9813	PACKING CASE	1	GS-R GSX-R
	P1	RPG9814	PACKING CASE	1	GN-S
	P1	RPG9815	PACKING CASE	1	GN-K
	P1	RPG9817	PACKING CASE	1	GN-R
	P2	RPN2370	POLYFOAM	1	
	P3	RPF0262-1	MIRAMAT	1	
			ACCESSORIES		
△	A1	N2QAYC000057	REMOTE CONTROL	1	
	A1-1	RKK-HC57P-K	R/C BATTERY COVER	1	
△	A2	K2CQ2CA00007	AC CORD	1	GS PU GSX
△	A2	K2CJ2DA00008	AC CORD	1	GN
△	A2	K2CZ3YY00024	AC CORD (3 PIN)	1	GS,GSX
△	A2	K2CP2YY00061	AC CORD	1	GS,GSX
△	A2	K2CA2YY00039	AC CORD	1	PU
△	A3	RQT9644-1M	O/I BOOK (Sp/Pr)	1	PU
△	A3	RQT9640-1L	O/I BOOK (En)	1	GN
△	A3	RQT9641-G	O/I BOOK (Ar)	1	GS,GSX
	A4	RSAX0002	FM INDOOR ANTENNA	1	
	A5	RGQ0660-K	SAFETY HOLDER	1	
	A6	RMQX1082-K	WALL MOUNT BRACKET	2	
	A7	XTB3+8JFJK-J	SCREW	1	
	A8	K2DAYYY00002	AC PLUG ADAPTOR	1	
	A9	N1DY000011	AM LOOP ANTENNA	1	

17.2. Electrical Replacement Parts List

Important Safety Notice

Components identified by Δ mark have special characteristics important for safety. When replacing any of these components, use only manufacturer's specified parts.

RTL (Retention Time Limited)

Note: The marking (RTL) indicates that the Retention Time is Limited for this item.

After the discontinuation of this assembly in production, the item will continue to be available for a specific period of time. The retention period of availability is dependant on the type of assembly, and in accordance with the laws governing part and product retention. After the end of this period, the assembly will no longer be available.

Note:

- When replacing any of these components, be sure to use only manufacturer's specified parts shown in the replacement part list.
- The parenthesized indications on the Remarks column specify the destination & product color (Refer to the cover page for the information).
- Parts without these indications shall be used for all areas.
- This product uses a laser diode. Refer to "Precaution of Laser Diode".
- Capacitor value are in microfarads (uF) unless specified otherwise, P=Pico-farads (pF), F=Farads.
- Resistance values are in ohms, unless specified otherwise, 1K=1000 (OHM).
- All parts mentioned are supplied by PAVCSG unless indicated likewise.
- Parts mentioned [SPG] in the Remarks column are supplied by PAVC-CSG.

Safety	Ref. No.	Part No.	Part Name & Description	Qty	Remarks
			PRINTED CIRCUITS BOARDS		
	PCB1	REP4781A	CD SERVO P.C.B.	1	(RTL)
	PCB2	REP4775FA	MAIN P.C.B.	1	(RTL)
	PCB3	REP4775FC	iPod P.C.B.	1	(RTL)
	PCB4	REP4775FD	REMOTE SENSOR P.C.B.	1	(RTL)
	PCB5	REP4776AA	PANEL P.C.B.	1	(RTL)
	PCB6	REP4776AC	INTERLOCK SWITCH P.C.B.	1	(RTL)
	PCB7	REP4776AD	MOTOR P.C.B.	1	(RTL)
	PCB8	REP4773A	BUTTON P.C.B.	1	(RTL)
Δ	PCB9	REP4774C	SMPS P.C.B.	1	(RTL)
			INTEGRATED CIRCUITS		
	IC52	CLAB00003566	IC	1	
	IC400	CLAB00003800	IC	1	
	IC401	C0CBCAC00358	IC	1	
	IC450	CLAB00003801	IC	1	
	IC1100	C0DBAYY01462	IC	1	
	IC1101	C0DBAYY01462	IC	1	
	IC1102	C0DBEYY00146	IC	1	
	IC1103	C0DBGYY01843	IC	1	
	IC1700	C0DACYY00012	IC	1	
	IC1701	C0DBZMC000006	IC	1	
	IC6000	C0DBZYY00483	IC	1	
	IC6001	C0JBAR000586	IC	1	
	IC6002	RFKWMHC37EG	IC	1	
	IC6003	C0EBY0000861	IC	1	
	IC6004	C3EBEY000037	IC	1	
	IC6005	C0DBZYY00381	IC	1	
	IC6801	C0HBB0000057	IC	1	
	IC7001	MN6627947RD	IC	1	

Safety	Ref. No.	Part No.	Part Name & Description	Qty	Remarks
	IC7002	C0GBY0000117	IC	1	
	IC7502	MFI337S3959	IC	1	
	IC7704	C3ABMY000027	IC	1	
	IC7851	C3EBFY000029	IC	1	
			TRANSISTORS		
	Q400	B1ABCF000011	TRANSISTOR	1	
	Q401	B1ABCF000011	TRANSISTOR	1	
	Q402	B1ADCE000012	TRANSISTOR	1	
	Q403	B1ABCF000011	TRANSISTOR	1	
	Q404	B1CHRD000051	TRANSISTOR	1	
	Q1101	B1ABMG000008	TRANSISTOR	1	
	Q1700	B1ABGC000001	TRANSISTOR	1	
	Q1701	DSA500100L	TRANSISTOR	1	
	Q6004	B1ADCE000012	TRANSISTOR	1	
	Q6005	B1ABCF000176	TRANSISTOR	1	
	Q6006	B1ADCF000001	TRANSISTOR	1	
	Q6007	B1ADCF000001	TRANSISTOR	1	
	Q7601	B1ADCF000001	TRANSISTOR	1	
	QR400	B1GBCFNN0038	TRANSISTOR	1	
	QR401	B1GDCFJJ0041	TRANSISTOR	1	
	QR1100	B1GBCFNN0038	TRANSISTOR	1	
	QR1700	B1GBCFJJ0051	TRANSISTOR	1	
	QR6001	B1GBCFJN0038	TRANSISTOR	1	
			DIODES		
	D900	B3AAB0000334	DIODE	1	
	D1100	DA2J10100L	DIODE	1	
	D1101	DA2J10100L	DIODE	1	
	D1104	B0ECKM000008	DIODE	1	
	D1105	B0ECKM000008	DIODE	1	
	D1107	DZ2J030M0L	DIODE	1	
	D1108	B0EAMM000057	DIODE	1	
	D1109	B0JAME000114	DIODE	1	
	D1110	DZ2J220M0L	DIODE	1	
	D1111	DZ2J390M0L	DIODE	1	

Safety	Ref. No.	Part No.	Part Name & Description	Qty	Remarks
	D1112	DZ2J062M0L	DIODE	1	
	D1113	DZ2J110M0L	DIODE	1	
	D1114	DZ2J062M0L	DIODE	1	
	D1700	B0ABSM000008	DIODE	1	
	D1701	B0EBNR000049	DIODE	1	
	D1702	B0BC7R500001	DIODE	1	
	D1703	B0EAKT000063	DIODE	1	
	D1708	DA22F2100L	DIODE	1	
	D1709	B0BC03200003	DIODE	1	
	D6001	DA2J10100L	DIODE	1	
	D6002	DA2J10100L	DIODE	1	
	D7341	B0ECKM000008	DIODE	1	
	D7342	B0ECKM000008	DIODE	1	
	D7343	B0ECKM000008	DIODE	1	
	D7650	DZ2J056M0L	DIODE	1	
			VARISTOR		
	VA51	EZAEG2A50AX	ESD SUPPRESSOR	1	
			SWITCHES		
	S641	K0L1BA000078	SW ABN	1	
	S642	K0L1BA000078	SW RIGHT	1	
	S643	K0L1BA000078	SW CENTER	1	
	S644	K0L1BA000078	SW INTERLOCK	1	
	S901	EVQ11G04M	SW POWER	1	
	S902	EVQ11G04M	SW iPod OPEN/ CLOSE	1	
	S903	EVQ11G04M	SW iPod	1	
	S904	EVQ11G04M	SW CD	1	
	S905	EVQ11G04M	SW RADIO/USB	1	
	S906	EVQ11G04M	SW STOP	1	
	S907	EVQ11G04M	SW PLAY/PAUSE	1	
	S910	EVQ11G04M	SW NET	1	
	S911	EVQ11G04M	SW REV SKIP	1	
	S912	EVQ11G04M	SW FWD SKIP	1	
	S913	EVQ11G04M	SW VOL-	1	
	S914	EVQ11G04M	SW VOL+	1	
	S915	EVQ11G04M	SW CD OPEN/CLOSE	1	
	S931	K0C111A00010	SW LEFT	1	
	S7201	K0L1BA000158	SW RESET	1	
			CONNECTORS		
	CN400	K1KA02AA0180	2P CONNECTOR	1	
	CN401	K1KA02AA0180	2P CONNECTOR	1	
	CN501	K1KA05BA0047	5P CONNECTOR	1	
	CN502	MFI514S0117	30P CONNECTOR	1	
	CN900	K1MY18BA0049	18P CONNECTOR	1	
	CN901	K1KB09B00019	9P CONNECTOR	1	
	CN931	K1KA04BA0061	4P CONNECTOR	1	
	CN941	K1MN14B00024	14P CONNECTOR	1	
	CN1100	K1KB07AA0076	7P CONNECTOR	1	
	CN6002	K1KA03AA0104	3P CONNECTOR	1	
	CN6005	K1MN14A00024	14P CONNECTOR	1	
	CN6006	K1MN30A00019	30P CONNECTOR	1	
	CN6007	K1MY18AA0021	18P CONNECTOR	1	
	CN6009	K1MN06C00005	6P CONNECTOR	1	
	CN6801	K1KA09AA0423	9P CONNECTOR	1	
	CN7001	K1MN24BA0197	24P CONNECTOR	1	
	CN7002	K1MN30B00046	30P CONNECTOR	1	
	CN7801	K1KA05BA0014	5P CONNECTOR	1	
	P941	K1KA05BA0061	5P CONNECTOR	1	
	P942	K1KA04BA0061	4P CONNECTOR	1	
	P944	K1KA03BA0047	3P CONNECTOR	1	
	P945	K1KA05BA0047	5P CONNECTOR	1	
	P1700	K1KA07BA0117	7P CONNECTOR	1	
	JK6000	K1FY104B0011	CONNECTOR	1	
			COILS AND INDUC- TORS		
	K7724	J0JYB0000013	INDUCTOR	1	

Safety	Ref. No.	Part No.	Part Name & Description	Qty	Remarks
	L51	G1CR18JA0020	INDUCTOR	1	
	L52	G2A380Y00002	ANTENNA COIL	1	
	L400	G1C150M00023	INDUCTOR	1	
	L401	G1C150M00023	INDUCTOR	1	
	L402	G1C150M00023	INDUCTOR	1	
	L403	G1C150M00023	INDUCTOR	1	
	L404	G1C1ROMA0530	INDUCTOR	1	
	L405	G1C1ROMA0530	INDUCTOR	1	
	L406	G1C1ROMA0530	INDUCTOR	1	
	L407	G1C1ROMA0530	INDUCTOR	1	
	L502	J0JGC0000034	INDUCTOR	1	
	L503	J0JGC0000071	INDUCTOR	1	
	L504	J0JHC0000107	INDUCTOR	1	
	L506	J0JGC0000071	INDUCTOR	1	
	L1100	G1C100M00041	INDUCTOR	1	
	L1101	G1C100M00041	INDUCTOR	1	
	L1700	G1C100K00019	INDUCTOR	1	
⚠	L1702	G0B183E00004	LINE FILTER	1	
	L6006	J0JHC0000034	INDUCTOR	1	
⚠	L7001	EXC24CE900U	NOISE FILTER	1	
	L7336	J0JYB0000013	INDUCTOR	1	
	LB51	J0JBC0000032	INDUCTOR	1	
	LB52	J0JYC0000118	INDUCTOR	1	
	LB400	J0JHC0000107	INDUCTOR	1	
	LB401	J0JHC0000107	INDUCTOR	1	
	LB402	J0JCC0000079	INDUCTOR	1	
	LB403	J0JCC0000079	INDUCTOR	1	
	LB404	J0JGC0000020	INDUCTOR	1	
	LB410	J0JFC0000007	INDUCTOR	1	
	LB450	J0JBC0000014	INDUCTOR	1	
	LB451	J0JBC0000014	INDUCTOR	1	
	LB452	J0JCC0000124	INDUCTOR	1	
	LB1101	J0JHC0000107	INDUCTOR	1	
	LB1102	J0JHC0000107	INDUCTOR	1	
	LB1103	J0JHC0000107	INDUCTOR	1	
	LB1104	J0JHC0000107	INDUCTOR	1	
	LB1105	J0JHC0000107	INDUCTOR	1	
	LB1106	J0JHC0000107	INDUCTOR	1	
	LB6001	J0JBC0000014	INDUCTOR	1	
	LB6002	J0JBC0000014	INDUCTOR	1	
	LB6003	J0JBC0000014	INDUCTOR	1	
	LB6004	J0JBC0000014	INDUCTOR	1	
	LB6005	J0JBC0000014	INDUCTOR	1	
	LB6006	J0JBC0000014	INDUCTOR	1	
	LB6007	J0JBC0000014	INDUCTOR	1	
	LB6008	J0JBC0000014	INDUCTOR	1	
	LB6009	J0JBC0000014	INDUCTOR	1	
	LB6020	J0JBC0000014	INDUCTOR	1	
	LB6021	J0JBC0000014	INDUCTOR	1	
	LB6022	J0JBC0000014	INDUCTOR	1	
	LB6023	J0JBC0000014	INDUCTOR	1	
	LB6024	J0JBC0000014	INDUCTOR	1	
	LB6025	J0JBC0000014	INDUCTOR	1	
	LB6026	J0JBC0000014	INDUCTOR	1	
	LB6027	J0JBC0000014	INDUCTOR	1	
	LB6030	J0JBC0000014	INDUCTOR	1	
	T6001	EXC24CE900U	NOISE FILTER	1	
			TRANSFORMERS		
⚠	T1100	G4D1A0000117	SWITCHING TRANS- FORMER	1	
⚠	T1700	G4DYZ0000059	MAIN TRANSFORMER	1	
			COMPONENT COMBI- NATION		
⚠	Z1752	ERZV10V511CS	ZNR	1	
			REMOTE SENSOR		
	IR941	PNJ4881M02VT	REMOTE SENSOR	1	

Safety	Ref. No.	Part No.	Part Name & Description	Qty	Remarks
			PHOTO COUPLER		
△	PC1701	B3PBA0000503	PHOTO COUPLER	1	
			TERMINALS		
	ZJ1100	K4CZ01000027	TERMINAL	1	
	ZJ1701	K4CZ01000027	TERMINAL	1	
	ZJ1702	K4CZ01000027	TERMINAL	1	
			OSCILLATORS		
	X400	H0J245500110	CRYSTAL OSCILLATOR	1	
	X6000	H2B800400007	CRYSTAL OSCILLATOR	1	
	X6001	H0A327200181	CRYSTAL OSCILLATOR	1	
	X7201	H2D169500017	CRYSTAL OSCILLATOR	1	
	X7205	H0J120500076	CRYSTAL OSCILLATOR	1	
			FL DISPLAY		
	FL6801	A2BB00000185	LCD DISPLAY	1	
			FUSE		
△	F1	K5G202Y00006	FUSE	1	
			THERMISTOR		
△	TH1701	D4CAA5R10001	THERMISTOR	1	
			JACKS		
	JK51	K4ZZ02000103	JK FM ANT	1	
	JK52	K4AC02B00042	JK AM ANT	1	
	JK450	K2HC1YYB0033	JK HEADPHONE	1	
△	P1751	K2AA2B000011	AC INLET	1	
			CHIP JUMPERS		
	K7001	D0GBR00JA008	0 1/10W	1	
	K7011	D0GBR00JA008	0 1/10W	1	
	K7101	D0GBR00JA008	0 1/10W	1	
	K7102	D0GBR00JA008	0 1/10W	1	
	K7111	D0GBR00JA008	0 1/10W	1	
	K7258	D0GBR00JA008	0 1/10W	1	
	K7278	D0GBR00JA008	0 1/10W	1	
	L60	D0GBR00JA008	0 1/10W	1	
	W11	D0GDR00JA017	0 1/8W	1	
	W12	D0GDR00JA017	0 1/8W	1	
	W13	D0GDR00JA017	0 1/8W	1	
	W14	D0GDR00JA017	0 1/8W	1	
	W15	D0GBR00JA008	0 1/10W	1	
	W16	D0GDR00JA017	0 1/8W	1	
	W17	D0GDR00JA017	0 1/8W	1	
	W18	D0GDR00JA017	0 1/8W	1	
			RESISTORS		
	K7202	D0GB101JA008	100 1/10W	1	
	K7701	D0GB271JA008	270 1/10W	1	
	K7702	D0GB271JA008	270 1/10W	1	
	K7703	D0GB271JA008	270 1/10W	1	
	R51	D0GB222JA008	2.2K 1/10W	1	
	R52	D0GB561JA008	560 1/10W	1	
	R53	D0GA472JA023	4.7K 1/16W	1	
	R54	D0GA472JA023	4.7K 1/16W	1	
	R55	D0GA221JA023	220 1/16W	1	
	R56	D0GB221JA008	220 1/10W	1	
	R57	D0GA102JA023	1K 1/16W	1	

Safety	Ref. No.	Part No.	Part Name & Description	Qty	Remarks
	R59	D0GB222JA008	2.2K 1/10W	1	
	R60	D0GB222JA008	2.2K 1/10W	1	
	R401	D0GB222JA008	2.2K 1/10W	1	
	R402	D0GB222JA008	2.2K 1/10W	1	
	R403	D0GB101JA008	100 1/10W	1	
	R404	D0GB104JA008	100K 1/10W	1	
	R405	D0GB104JA008	100K 1/10W	1	
	R406	D0GB104JA008	100K 1/10W	1	
	R407	D0GB104JA008	100K 1/10W	1	
	R408	D0GB104JA008	100K 1/10W	1	
	R409	D0GB104JA008	100K 1/10W	1	
	R410	D0GB223JA008	22K 1/10W	1	
	R411	D0GB472JA008	4.7K 1/10W	1	
	R412	D0GB105JA008	1M 1/10W	1	
	R413	D0GB152JA008	1.5K 1/10W	1	
	R414	D0GB101JA008	100 1/10W	1	
	R415	D0GB101JA008	100 1/10W	1	
	R416	D0GB101JA008	100 1/10W	1	
	R417	D0GB101JA008	100 1/10W	1	
	R418	D0GB104JA008	100K 1/10W	1	
	R419	D0GB104JA008	100K 1/10W	1	
	R420	D0GB223JA008	22K 1/10W	1	
	R421	D0GB153JA008	15K 1/10W	1	
	R422	D0GB223JA008	22K 1/10W	1	
	R423	D0GB153JA008	15K 1/10W	1	
	R424	D0GB223JA008	22K 1/10W	1	
	R425	D0GB222JA008	2.2K 1/10W	1	
	R426	D0GB223JA008	22K 1/10W	1	
	R427	D0GB222JA008	2.2K 1/10W	1	
	R428	D0GB222JA008	2.2K 1/10W	1	
	R429	D0GB222JA008	2.2K 1/10W	1	
	R430	D0GB153JA008	15K 1/10W	1	
	R431	D0GB153JA008	15K 1/10W	1	
	R432	D0GB333JA008	33K 1/10W	1	
	R433	D0GB333JA008	33K 1/10W	1	
	R434	D0GB333JA008	33K 1/10W	1	
	R435	D0GB333JA008	33K 1/10W	1	
	R436	D0GB101JA008	100 1/10W	1	
	R437	D0GB101JA008	100 1/10W	1	
	R438	D0GB473JA008	47K 1/10W	1	
	R439	D0GB473JA008	47K 1/10W	1	
	R440	D0GB473JA008	47K 1/10W	1	
	R441	D0GB473JA008	47K 1/10W	1	
	R442	D0GB103JA008	10K 1/10W	1	
	R443	D0GB561JA008	560 1/10W	1	
	R444	D0GB473JA008	47K 1/10W	1	
	R446	D0GB102JA008	1K 1/10W	1	
	R447	D0GB102JA008	1K 1/10W	1	
	R448	D0GB561JA008	560 1/10W	1	
	R449	D0GB473JA008	47K 1/10W	1	
	R451	D0GB221JA007	220 1/10W	1	
	R452	D0GB102JA008	1K 1/10W	1	
	R453	D0GB273JA008	27K 1/10W	1	
	R471	D0GB221JA007	220 1/10W	1	
	R472	D0GB221JA007	220 1/10W	1	
	R473	D0GB221JA007	220 1/10W	1	
	R474	D0GB221JA007	220 1/10W	1	
	R475	D0GB221JA007	220 1/10W	1	
	R476	D0GB221JA007	220 1/10W	1	
	R477	D0GB221JA007	220 1/10W	1	
	R478	D0GB221JA007	220 1/10W	1	
	R479	D0GB221JA007	220 1/10W	1	
	R480	D0GB274JA007	270K 1/10W	1	
	R900	D0GBR00JA008	0 1/10W	1	
	R902	D0GB122JA008	1.2K 1/10W	1	
	R903	D0GB122JA008	1.2K 1/10W	1	
	R904	D0GB222JA008	2.2K 1/10W	1	
	R905	D0GB332JA008	3.3K 1/10W	1	
	R906	D0GB472JA008	4.7K 1/10W	1	
	R907	D0GB752JA008	7.5K 1/10W	1	
	R910	D0GB121JA008	120 1/10W	1	
	R911	D0GB122JA008	1.2K 1/10W	1	
	R912	D0GB122JA008	1.2K 1/10W	1	

Safety	Ref. No.	Part No.	Part Name & Description	Qty	Remarks
	R913	D0GB222JA008	2.2K 1/10W	1	
	R914	D0GB332JA008	3.3K 1/10W	1	
	R921	D0GB472JA008	4.7K 1/10W	1	
	R941	D0GB330JA008	33 1/10W	1	
	R942	D0GBR00JA008	0 1/10W	1	
	R1100	D0GB103JA008	10K 1/10W	1	
	R1102	ERJ3RBD333V	33K 1/16W	1	
	R1103	ERJ3RBD153V	15K 1/16W	1	
	R1104	ERJ3RBD472V	4.7K 1/16W	1	
	R1106	D0GB390JA008	39 1/10W	1	
	R1107	ERJ3RBD823V	82K 1/16W	1	
	R1108	ERJ3RBD153V	15K 1/16W	1	
	R1110	D0GB390JA008	39 1/10W	1	
	R1111	D0GB562JA008	5.6K 1/10W	1	
	R1112	D0GB332JA008	3.3K 1/10W	1	
	R1120	D0GB223JA008	22K 1/10W	1	
	R1121	D0GB270JA008	27 1/10W	1	
	R1122	D0GB332JA008	3.3K 1/10W	1	
	R1126	D0GB471JA008	470 1/10W	1	
	R1127	ERJ3GEYF474V	470K 1/10W	1	
	R1128	ERJ3RBD104V	100K 1/16W	1	
	R1129	ERJ3RBD104V	100K 1/16W	1	
	R1130	ERJ3RBD333V	33K 1/16W	1	
	R1131	D0GB100JA008	10 1/10W	1	
	R1700	D0GD4R7JA017	4.7 1/8W	1	
	R1701	D0GB152JA008	1.5K 1/10W	1	
	R1702	D0GB682JA008	6.8K 1/10W	1	
	R1703	D0GB332JA008	3.3K 1/10W	1	
	R1704	ERJ1TYJ333U	33K 1W	1	
	R1705	D0GB103JA008	10K 1/10W	1	
	R1706	D0GB223JA008	22K 1/10W	1	
	R1707	D0GB103JA008	10K 1/10W	1	
	R1708	ERJ1TYJ220U	22 1W	1	
	R1710	ERJ3RBD473V	47K 1/16W	1	
	R1711	D0GB103JA008	10K 1/10W	1	
	R1716	D0GB394JA008	390K 1/10W	1	
	R1717	D0GB122JA008	1.2K 1/10W	1	
	R1718	ERX2SJR22P	0.22 2W	1	
△	R1724	ERJ12YJ155U	1.5M 1/2W	1	
	R1725	D0GB223JA008	22K 1/10W	1	
△	R1726	ERJ12YJ155U	1.5M 1/2W	1	
	R1727	D0GB104JA008	100K 1/10W	1	
	R1728	D0HB822ZA002	8.2K 1/16W	1	
	R1729	D0GD220JA017	22 1/8W	1	
	R1730	ERJ3RBD682V	6.8K 1/16W	1	
	R6000	ERJ3GEYF513V	51K 1/10W	1	
	R6001	ERJ3GEYF513V	51K 1/10W	1	
	R6002	D0GB472JA008	4.7K 1/10W	1	
	R6003	D0GB472JA008	4.7K 1/10W	1	
	R6004	D0GBR00JA008	0 1/10W	1	
	R6005	D1BB5102A073	51K 1/10W	1	
	R6006	D1BB4302A073	43K 1/10W	1	
	R6008	D0GB101JA008	100 1/10W	1	
	R6009	D1BB5102A073	51K 1/10W	1	
	R6010	D0GB473JA008	47K 1/10W	1	
	R6011	D1BB7502A073	75K 1/10W	1	
	R6014	D0GB104JA008	100K 1/10W	1	
	R6019	D0GB273JA008	27K 1/10W	1	
	R6020	D0GBR00JA008	0 1/10W	1	
	R6022	D0GB472JA008	4.7K 1/10W	1	
	R6023	D0GB472JA008	4.7K 1/10W	1	
	R6024	D0GB101JA008	100 1/10W	1	
	R6025	D0GB101JA008	100 1/10W	1	
	R6026	D0GB104JA008	100K 1/10W	1	
	R6028	D0GB104JA008	100K 1/10W	1	
	R6029	D0GB101JA008	100 1/10W	1	
	R6030	D0GB101JA008	100 1/10W	1	
	R6031	D0GB101JA008	100 1/10W	1	
	R6032	D0GB104JA008	100K 1/10W	1	
	R6033	D0GB104JA008	100K 1/10W	1	
	R6042	D0GB472JA008	4.7K 1/10W	1	
	R6043	D0GB103JA008	10K 1/10W	1	
	R6044	D0GB101JA008	100 1/10W	1	

Safety	Ref. No.	Part No.	Part Name & Description	Qty	Remarks
	R6045	D0GB101JA008	100 1/10W	1	
	R6046	D0GB101JA008	100 1/10W	1	
	R6047	D0GB102JA008	1K 1/10W	1	
	R6048	D0GB101JA008	100 1/10W	1	
	R6053	D0GB101JA008	100 1/10W	1	
	R6054	D0GB224JA008	220K 1/10W	1	
	R6055	D0GB101JA008	100 1/10W	1	
	R6056	D0GB103JA008	10K 1/10W	1	
	R6057	D0GB102JA008	1K 1/10W	1	
	R6058	D0GB224JA008	220K 1/10W	1	
	R6059	D0GB102JA008	1K 1/10W	1	
	R6060	D0GB101JA008	100 1/10W	1	
	R6061	D0GB102JA008	1K 1/10W	1	
	R6062	D0GB101JA008	100 1/10W	1	
	R6063	D0GB104JA008	100K 1/10W	1	
	R6064	D0GB101JA008	100 1/10W	1	
	R6065	D0GB101JA008	100 1/10W	1	
	R6066	D0GB101JA008	100 1/10W	1	
	R6067	D0GB101JA008	100 1/10W	1	
	R6068	D0GB101JA008	100 1/10W	1	
	R6069	D0GB101JA008	100 1/10W	1	
	R6070	D0GB104JA008	100K 1/10W	1	
	R6072	D0GB103JA008	10K 1/10W	1	
	R6073	D0GB101JA008	100 1/10W	1	
	R6074	D0GB101JA008	100 1/10W	1	
	R6075	D0GB102JA008	1K 1/10W	1	
	R6076	D0GB103JA008	10K 1/10W	1	
	R6077	D0GB473JA008	47K 1/10W	1	
	R6079	D0GB102JA008	1K 1/10W	1	
	R6080	D0GB152JA008	1.5K 1/10W	1	
	R6084	D0GB104JA008	100K 1/10W	1	
	R6086	D0GB101JA008	100 1/10W	1	
	R6087	D0GB101JA008	100 1/10W	1	
	R6088	D0GB101JA008	100 1/10W	1	
	R6089	D0GB104JA008	100K 1/10W	1	
	R6090	D0GB101JA008	100 1/10W	1	
	R6091	D0GB101JA008	100 1/10W	1	
	R6092	D0GB472JA008	4.7K 1/10W	1	
	R6093	D0GB101JA008	100 1/10W	1	
	R6094	D0GB101JA008	100 1/10W	1	
	R6096	D0GB472JA008	4.7K 1/10W	1	
	R6097	D0GB101JA008	100 1/10W	1	
	R6098	D0GB101JA008	100 1/10W	1	
	R6099	D0GB101JA008	100 1/10W	1	
	R6100	D0GB101JA008	100 1/10W	1	
	R6101	D0GB101JA008	100 1/10W	1	
	R6102	D0GB332JA008	3.3K 1/10W	1	
	R6103	D0GB101JA008	100 1/10W	1	
	R6104	D0GB101JA008	100 1/10W	1	
	R6105	D0GB104JA008	100K 1/10W	1	
	R6106	D0GB101JA008	100 1/10W	1	
	R6107	D0GB101JA008	100 1/10W	1	
	R6109	D0GB101JA008	100 1/10W	1	
	R6110	D0GB104JA008	100K 1/10W	1	
	R6111	D0GB104JA008	100K 1/10W	1	
	R6112	D0GB104JA008	100K 1/10W	1	
	R6113	D0GB152JA008	1.5K 1/10W	1	
	R6114	D0GB152JA008	1.5K 1/10W	1	
	R6119	D0GB101JA008	100 1/10W	1	
	R6121	D0GB103JA008	10K 1/10W	1	
	R6123	D0GB101JA008	100 1/10W	1	
	R6124	D0GB101JA008	100 1/10W	1	
	R6125	D0GB101JA008	100 1/10W	1	
	R6126	D0GB101JA008	100 1/10W	1	
	R6127	D0GB101JA008	100 1/10W	1	
	R6128	D0GB101JA008	100 1/10W	1	
	R6132	D0GB101JA008	100 1/10W	1	
	R6134	D0GB1R0JA008	1 1/10W	1	
	R6135	D0GB101JA008	100 1/10W	1	
	R6136	D0GB101JA008	100 1/10W	1	
	R6137	D0GB101JA008	100 1/10W	1	
	R6141	D0GB472JA008	4.7K 1/10W	1	
	R6142	D0GB472JA008	4.7K 1/10W	1	

Safety	Ref. No.	Part No.	Part Name & Description	Qty	Remarks
	R6143	D0GB562JA008	5.6K 1/10W	1	
	R6144	D0GB222JA008	2.2K 1/10W	1	
	R6318	D0GB101JA008	100 1/10W	1	
	R6804	D0GB393JA008	39K 1/10W	1	
	R7111	D0GB103JA008	10K 1/10W	1	
	R7151	D0GBR00JA008	0 1/10W	1	
	R7158	D0GB330JA008	33 1/10W	1	
	R7173	D0GB101JA008	100 1/10W	1	
	R7176	D0GB101JA008	100 1/10W	1	
	R7205	D0GB102JA008	1K 1/10W	1	
	R7207	D0GB103JA008	10K 1/10W	1	
	R7208	D0GBR00JA008	0 1/10W	1	
	R7211	D0GB823JA008	82K 1/10W	1	
	R7212	D0GB821JA008	820 1/10W	1	
	R7213	D0GB272JA008	2.7K 1/10W	1	
	R7214	D0GB471JA008	470 1/10W	1	
	R7217	D0GB102JA008	1K 1/10W	1	
	R7218	D0GB102JA008	1K 1/10W	1	
	R7220	D0GB105JA008	1M 1/10W	1	
	R7221	D0GB101JA008	100 1/10W	1	
	R7253	D0GB101JA008	100 1/10W	1	
	R7254	D0GB102JA008	1K 1/10W	1	
	R7255	D0GB103JA008	10K 1/10W	1	
	R7262	D0GB101JA008	100 1/10W	1	
	R7264	D0GB101JA008	100 1/10W	1	
	R7265	D0GB101JA008	100 1/10W	1	
	R7266	D0GB101JA008	100 1/10W	1	
	R7267	D0GB102JA008	1K 1/10W	1	
	R7315	D0GB102JA008	1K 1/10W	1	
	R7321	D0GB152JA008	1.5K 1/10W	1	
	R7322	D0GB562JA008	5.6K 1/10W	1	
	R7323	D0GB332JA008	3.3K 1/10W	1	
	R7325	D0GB101JA008	100 1/10W	1	
	R7327	D0GB562JA008	5.6K 1/10W	1	
	R7328	D0GB273JA008	27K 1/10W	1	
	R7329	D0GB472JA008	4.7K 1/10W	1	
	R7331	D0GB473JA008	47K 1/10W	1	
	R7332	D0GB123JA008	12K 1/10W	1	
	R7335	D0GB101JA008	100 1/10W	1	
	R7336	D0GB100JA008	10 1/10W	1	
	R7340	D0GB102JA008	1K 1/10W	1	
	R7341	D0GB122JA008	1.2K 1/10W	1	
	R7349	D0GB104JA008	100K 1/10W	1	
	R7504	D0GB222JA008	2.2K 1/10W	1	
	R7505	D0GB222JA008	2.2K 1/10W	1	
	R7601	D0GB4R7JA008	4.7 1/10W	1	
	R7650	D0GB5R6JA008	5.6 1/10W	1	
	R7702	D0GBR00JA008	0 1/10W	1	
	R7707	D0GBR00JA008	0 1/10W	1	
	R7712	D0GBR00JA008	0 1/10W	1	
	R7717	D0GBR00JA008	0 1/10W	1	
	R7721	D0GBR00JA008	0 1/10W	1	
	R7731	D0GBR00JA008	0 1/10W	1	
	R7761	D0GB225JA008	2.2M 1/10W	1	
	R7853	D0GB332JA008	3.3K 1/10W	1	
	R7854	D0GB332JA008	3.3K 1/10W	1	
	R7896	D0GB102JA008	1K 1/10W	1	
	R7901	D0GB330JA008	33 1/10W	1	
	R7902	D0GB330JA008	33 1/10W	1	
	R7903	D0GB223JA008	22K 1/10W	1	
	R7904	D0GB223JA008	22K 1/10W	1	
			CAPACITORS		
	C51	F1H1H102A885	1000pF 50V	1	
	C52	F1H1A474A025	0.47uF 10V	1	
	C61	F1G1C104A077	0.1uF 16V	1	
	C62	F1G1C104A077	0.1uF 16V	1	
	C66	F1H1H330A230	33pF 50V	1	
	C67	F1H1H3R0A508	3.0pF 50V	1	
	C400	F1H0J1060002	10uF 6.3V	1	
	C401	F1H0J1060002	10uF 6.3V	1	
	C402	F1H0J1060002	10uF 6.3V	1	

Safety	Ref. No.	Part No.	Part Name & Description	Qty	Remarks
	C403	F1H0J1060002	10uF 6.3V	1	
	C404	F1H1A105A028	1uF 10V	1	
	C405	F1H0J1060002	10uF 6.3V	1	
	C406	F1J1E105A171	1uF 25V	1	
	C407	F1J1E105A171	1uF 25V	1	
	C408	F1J1E105A171	1uF 25V	1	
	C409	F1J1E105A171	1uF 25V	1	
	C410	F1H1H104A013	0.1uF 50V	1	
	C411	F1H1H104A013	0.1uF 50V	1	
	C412	F1H1H104A013	0.1uF 50V	1	
	C413	F1H1H104A013	0.1uF 50V	1	
	C414	F1J1H104A717	0.1uF 50V	1	
	C415	F1J1H104A717	0.1uF 50V	1	
	C416	F1H1C104A120	0.1uF 16V	1	
	C417	F1H1H102A885	1000pF 50V	1	
	C418	F1H1H470A004	47pF 50V	1	
	C419	F1H1H470A004	47pF 50V	1	
	C420	F1J1A106A043	10uF 10V	1	
	C421	F1J1A106A043	10uF 10V	1	
	C422	F1H1E105A116	1uF 25V	1	
	C424	F1H1A105A028	1uF 10V	1	
	C425	F1H1A105A028	1uF 10V	1	
	C426	F1H1H120A889	12pF 50V	1	
	C427	F1H1H150A889	15pF 50V	1	
	C428	F1H1H104A013	0.1uF 50V	1	
	C430	F1J1E105A171	1uF 25V	1	
	C431	F1J1E105A171	1uF 25V	1	
	C432	F1J1E105A171	1uF 25V	1	
	C433	F1J1E105A171	1uF 25V	1	
	C434	F2A1E1010099	100uF 25V	1	
	C435	F1H1H102A885	1000pF 50V	1	
	C436	F1H1H102A885	1000pF 50V	1	
	C437	F1H1H102A885	1000pF 50V	1	
	C438	F1H1H102A885	1000pF 50V	1	
	C439	F1H1A105A028	1uF 10V	1	
	C440	F1H1A105A028	1uF 10V	1	
	C441	F1H1H181A004	180pF 50V	1	
	C442	F1H1H680A831	68pF 50V	1	
	C443	F1H1H680A831	68pF 50V	1	
	C444	F1H1H680A831	68pF 50V	1	
	C445	F1H1H181A004	180pF 50V	1	
	C446	F1H1H102A885	1000pF 50V	1	
	C447	F1H1E223A002	0.022uF 25V	1	
	C448	F1H1E223A002	0.022uF 25V	1	
	C449	F1H1H103A885	0.01uF 50V	1	
	C450	F1H1H680A831	68pF 50V	1	
	C451	F1H1H680A831	68pF 50V	1	
	C452	F1H1H680A831	68pF 50V	1	
	C453	F1H1A105A028	1uF 10V	1	
	C454	F1H1H102A885	1000pF 50V	1	
	C455	F1H1H102A885	1000pF 50V	1	
	C458	F1H1H102A885	1000pF 50V	1	
	C459	F1H1H102A885	1000pF 50V	1	
	C501	F1G1C104A077	0.1uF 16V	1	
	C502	F1G1C104A077	0.1uF 16V	1	
	C503	F1G1C104A077	0.1uF 16V	1	
	C941	F1H1A105A036	1uF 10V	1	
	C1000	F1K1H105A138	1uF 50V	1	
	C1001	F1H1H102A885	1000pF 50V	1	
	C1100	F1H1A225A025	2.2uF 10V	1	
	C1101	F1H1A225A025	2.2uF 10V	1	
	C1104	F2A1C1210022	120uF 16V	1	
	C1106	F1K1C106A062	10uF 16V	1	
	C1107	F1K1C226A121	22uF 16V	1	
	C1108	F1H1H473A220	0.047uF 50V	1	
	C1109	F1G1C223A091	0.022uF 16V	1	
	C1110	F1H1H102A885	1000pF 50V	1	
	C1111	F1H1H472A219	4700pF 50V	1	
	C1113	F1H1H473A220	0.047uF 50V	1	
	C1115	F1H1H562A219	5600pF 50V	1	
	C1117	F1H1H102A885	1000pF 50V	1	
	C1118	F1K1E1060001	10uF 25V	1	
	C1119	F1H1H473A220	0.047uF 50V	1	

Safety	Ref. No.	Part No.	Part Name & Description	Qty	Remarks
	C1120	F1H0J4750005	4.7uF 6.3V	1	
	C1121	F2A1E1010099	100uF 25V	1	
	C1122	F1J1E4750002	4.7uF 25V	1	
	C1123	F1H1H222A219	2200pF 50V	1	
	C1125	F1H1H102A219	1000pF 50V	1	
	C1126	F1G1C223A091	0.022uF 16V	1	
	C1128	F1K1C226A121	22uF 16V	1	
	C1129	F1H1H102A885	1000pF 50V	1	
	C1130	F2A0J221A245	220uF 6.3V	1	
	C1131	F2A1V330A379	33uF 35V	1	
	C1132	F1H1H682A219	6800pF 50V	1	
	C1700	F1H1H391A889	390pF 50V	1	
	C1701	F2A1H100A454	10uF 50V	1	
△	C1702	F0CAF224A105	0.22uF	1	
	C1703	F2A1E1020114	1000uF 25V	1	
	C1704	F1H1H102A013	1000pF 50V	1	
	C1705	F1K2J472A010	4700pF 630V	1	
	C1706	F2A2G1010017	100uF 400V	1	
	C1708	F1H1H102A219	1000pF 50V	1	
	C1709	F1H1H104A013	0.1uF 50V	1	
△	C1710	F1BAF471A013	470pF	1	
	C1712	F1H1H104A013	0.1uF 50V	1	
	C1713	F1K2J221A014	220pF 630V	1	
	C1714	F1H1H104A013	0.1uF 50V	1	
	C1715	F1H1H104A013	0.1uF 50V	1	
	C1716	F1H1H103A219	0.01uF 50V	1	
	C1719	F1H1E474A116	0.47uF 25V	1	
	C1720	F1A3D100A009	10pF 2000V	1	
△	C1725	F0CAF154A105	0.15uF	1	
△	C1727	F1BAF1020020	1000pF	1	
△	C1728	F1BAF1020020	1000pF	1	
	C6000	F1H1C104A120	0.1uF 16V	1	
	C6002	F1H1H1010005	100pF 50V	1	
	C6003	F1G1A1040006	0.1uF 10V	1	
	C6004	F1H1H102A885	1000pF 50V	1	
	C6005	F1H1H102A885	1000pF 50V	1	
	C6009	F1J1A106A043	10uF 10V	1	
	C6012	F1H1C104A120	0.1uF 16V	1	
	C6014	F1H1H102A885	1000pF 50V	1	
	C6017	F1H1H102A885	1000pF 50V	1	
	C6018	F1H1C104A120	0.1uF 16V	1	
	C6019	F1H1H220A889	22pF 50V	1	
	C6020	F1H1H102A885	1000pF 50V	1	
	C6021	F1H1H180A889	18pF 50V	1	
	C6022	F1H1A224A061	0.22uF 10V	1	
	C6023	F1H1C104A120	0.1uF 16V	1	
	C6024	F1H1H101A889	100pF 50V	1	
	C6025	F1H1H101A889	100pF 50V	1	
	C6026	F1H1H102A885	1000pF 50V	1	
	C6027	F1H1C104A120	0.1uF 16V	1	
	C6028	F1H1C104A120	0.1uF 16V	1	
	C6029	F1H1C104A120	0.1uF 16V	1	
	C6030	F1J1A4750002	4.7uF 10V	1	
	C6034	F1H1H102A885	1000pF 50V	1	
	C6035	F1H1A105A028	1uF 10V	1	
	C6036	F1H1H223A219	0.022uF 50V	1	
	C6037	F1H1H223A219	0.022uF 50V	1	
	C6040	F1J1A106A043	10uF 10V	1	
	C6046	F2A1A330A010	33uF 10V	1	
	C6047	F1H1H331A885	330pF 50V	1	
	C6049	F1H1H223A219	0.022uF 50V	1	
	C6050	F1H1H102A885	1000pF 50V	1	
	C6052	F1H1C104A120	0.1uF 16V	1	
	C6801	F2A1V220A184	22uF 35V	1	
	C6820	F1H1A105A036	1uF 10V	1	
	C6827	F1H1H104A783	0.1uF 50V	1	
	C7003	F1J1H101A619	100pF 50V	1	
	C7007	F1H1H101A889	100pF 50V	1	
	C7031	F1H1H101A889	100pF 50V	1	
	C7102	F1H1A474A025	0.47uF 10V	1	
	C7107	F1H1H223A219	0.022uF 50V	1	
	C7142	F1H1H332A013	3300pF 50V	1	
	C7150	F1H1C104A120	0.1uF 16V	1	

Safety	Ref. No.	Part No.	Part Name & Description	Qty	Remarks
	C7151	F1H1C104A120	0.1uF 16V	1	
	C7152	F1G1A1040006	0.1uF 10V	1	
	C7154	F1H1C104A120	0.1uF 16V	1	
	C7155	F1H1A105A004	1uF 10V	1	
	C7156	F1H1A105A004	1uF 10V	1	
	C7157	F1H1H103A885	0.01uF 50V	1	
	C7158	F1H1C104A120	0.1uF 16V	1	
	C7159	F1H1C104A120	0.1uF 16V	1	
	C7160	F1H1C104A120	0.1uF 16V	1	
	C7161	F1G1A1040006	0.1uF 10V	1	
	C7162	F1G1A1040006	0.1uF 10V	1	
	C7163	F1G1A1040006	0.1uF 10V	1	
	C7166	F1H1H103A885	0.01uF 50V	1	
	C7204	F1H1H103A885	0.01uF 50V	1	
	C7205	F1H1H270A004	27pF 50V	1	
	C7206	F1H1H270A004	27pF 50V	1	
	C7207	F1J1A106A041	10uF 10V	1	
	C7208	F1J1A106A041	10uF 10V	1	
	C7213	F1H1A334A028	0.33uF 10V	1	
	C7216	F1H1H681A013	680pF 50V	1	
	C7217	F1G1A1040006	0.1uF 10V	1	
	C7218	F1H1C823A001	0.082uF 16V	1	
	C7223	F1J1A106A041	10uF 10V	1	
	C7225	F1H1H102A885	1000pF 50V	1	
	C7226	F1H1H102A885	1000pF 50V	1	
	C7230	F1H1H103A885	0.01uF 50V	1	
	C7233	F1H1H103A885	0.01uF 50V	1	
	C7234	F1H1C104A120	0.1uF 16V	1	
	C7235	F1J1A106A041	10uF 10V	1	
	C7236	F1J1A106A041	10uF 10V	1	
	C7237	F1G1A1040006	0.1uF 10V	1	
	C7238	F1H1C104A120	0.1uF 16V	1	
	C7239	F1J1A106A041	10uF 10V	1	
	C7241	F1H1H102A885	1000pF 50V	1	
	C7243	D0GBR00JA008	0 1/10W	1	
	C7244	F1H1C153A001	0.015uF 16V	1	
	C7253	D0GBR00JA008	0 1/10W	1	
	C7263	F1G1A1040006	0.1uF 10V	1	
	C7264	F1G1A1040006	0.1uF 10V	1	
	C7265	F1G1A1040006	0.1uF 10V	1	
	C7267	F1G1A1040006	0.1uF 10V	1	
	C7268	F1H1H103A885	0.01uF 50V	1	
	C7269	F1H1A105A004	1uF 10V	1	
	C7315	F1H1A154A001	0.15uF 10V	1	
	C7334	F2G1A101A019	100uF 10V	1	
	C7335	F1H1H103A885	0.01uF 50V	1	
	C7338	F1H1H153A885	0.015uF 50V	1	
	C7339	F1H1H182A219	1800pF 50V	1	
	C7340	F1H1H103A885	0.01uF 50V	1	
	C7341	F1J1A106A041	10uF 10V	1	
	C7352	F1H1H122A219	1200pF 50V	1	
	C7501	D0GBR00JA008	0 1/10W	1	
	C7502	F1H1H103A885	0.01uF 50V	1	
	C7601	F1J1A106A041	10uF 10V	1	
	C7613	F1G1A1040006	0.1uF 10V	1	
	C7615	F1J1A106A041	10uF 10V	1	
	C7616	F1J1A106A041	10uF 10V	1	
	C7626	F1J1A106A041	10uF 10V	1	
	C7670	F1H1H103A885	0.01uF 50V	1	
	C7725	F1G1H100A565	10pF 50V	1	
	C7735	F1G1H100A565	10pF 50V	1	
	C7741	F1H1H103A885	0.01uF 50V	1	
	C7752	F1H1H103A885	0.01uF 50V	1	
	C7753	F1J1A106A041	10uF 10V	1	
	C7754	F1J1A106A041	10uF 10V	1	
	C7755	F1J1A106A041	10uF 10V	1	
	C7851	F1H1H103A885	0.01uF 50V	1	
	C7853	F1H1H101A889	100pF 50V	1	
			SERVICE FIXTURE & TOOLS		
	SFT1	REE1712	30P FFC (MAIN - CD SERVO)	1	

Safety	Ref. No.	Part No.	Part Name & Description	Qty	Remarks
	SFT2	REX1538	7P WIRE (MAIN - SMPS)	1	

IPSG1203