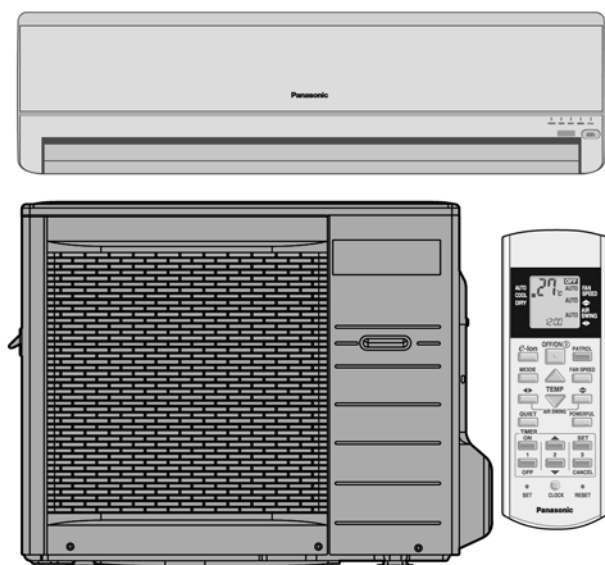


Service Manual

Air Conditioner

CS-C18GKV CU-C18GKV CS-C24GKV CU-C24GKV



⚠ WARNING

This service information is designed for experienced repair technicians only and is not designed for use by the general public. It does not contain warnings or cautions to advise non-technical individuals of potential dangers in attempting to service a product. Products powered by electricity should be serviced or repaired only by experienced professional technicians. Any attempt to service or repair the product or products dealt with in this service information by anyone else could result in serious injury or death.

TABLE OF CONTENTS

	PAGE		PAGE
1 Safety Precautions	3	11 Installation Instruction	21
2 Specifications	5	11.1. Indoor Unit	22
2.1. CS-C18GKV CU-C18GKV	5	11.2. Outdoor Unit.....	24
2.2. CS-C24GKV CU-C24GKV	7	12 Operation and Control	27
3 Features	9	12.1. Cooling Operation.....	27
4 Location of Controls and Components	10	12.2. Soft Dry Operation	28
4.1. Product Overview.....	10	12.3. Automatic Operation	29
5 Dimensions	11	12.4. Operation Control	30
5.1. Indoor Unit & Remote Control.....	11	12.5. Indoor Fan Speed Control	33
5.2. Outdoor Unit	12	12.6. Outdoor Fan Speed Control	34
6 Refrigeration Cycle Diagram	13	12.7. Vertical Airflow Direction Control.....	35
7 Block Diagram	14	12.8. Horizontal Airflow Direction Control	35
8 Wiring Connection Diagram	15	12.9. Powerful Operation	36
8.1. CS-C18GK CU-C18GK	15	12.10. Quiet Operation.....	37
8.2. CS-C24GK CU-C24GK	16	12.11. Timer Control.....	37
9 Electronic Circuit Diagram	17	12.12. Random Auto Restart Control	38
10 Printed Circuit Board	18	12.13. Remote Control Signal Receiving Sound	38
10.1. Indoor Unit.....	18	12.14. Patrol Operation	39
10.2. Indicator.....	20	12.15. e-ion Operation	42



Panasonic®

© 2006 Panasonic HA Air-Conditioning (M) Sdn. Bhd. (11969-T). All rights reserved. Unauthorized copying and distribution is a violation of law.


13 Servicing Mode	45
13.1. Auto OFF/ON Button	45
13.2. Select Remote Control Transmission Code	45
13.3. Remote Control Button	46
14 Troubleshooting Guide	47
14.1. Refrigeration cycle system	47
15 Disassembly and Assembly Instructions	49
15.1. Indoor Electronic Controllers and Control Board Removal Procedures	49
15.2. Indoor Fan Motor and Cross Flow Fan Removal Procedures	52
16 Technical Data	54
16.1. Thermostat Characteristics	54
16.2. Operation Characteristics	55
17 Exploded View and Replacement Parts List	59
17.1. Indoor Unit	59
17.2. Outdoor Unit	61

1 Safety Precautions





- Read the following “SAFETY PRECAUTIONS” carefully before perform any servicing.
- Electrical work must be installed or serviced by a licensed electrician. Be sure to use the correct rating of the power plug and main circuit for the model installed.
- The caution items stated here must be followed because these important contents are related to safety. The meaning of each indication used is as below. Incorrect installation or servicing due to ignoring of the instruction will cause harm or damage, and the seriousness is classified by the following indications.



 WARNING	This indication shows the possibility of causing death or serious injury.
 CAUTION	This indication shows the possibility of causing injury or damage to properties.

- The items to be followed are classified by the symbols:

	This symbol denotes item that is PROHIBITED from doing.
---	---

- Carry out test running to confirm that no abnormality occurs after the servicing. Then, explain to user the operation, care and maintenance as stated in instructions. Please remind the customer to keep the operating instructions for future reference.

 WARNING	
1. Engage dealer or specialist for installation and servicing. If installation or servicing done by the user is defective, it will cause water leakage, electrical shock or fire.	
2. Install according to this installation instruction strictly. If installation is defective, it will cause water leakage, electrical shock or fire.	
3. Use the attached accessories parts and specified parts for installation and servicing. Otherwise, it will cause the set to fall, water leakage, fire or electrical shock.	
4. Install at a strong and firm location which is able to withstand the set's weight. If the strength is not enough or installation is not properly done, the set will drop and cause injury.	
5. For electrical work, follow the local national wiring standard, regulation and the installation instruction. An independent circuit and single outlet must be used. If electrical circuit capacity is not enough or defect found in electrical work, it will cause electrical shock or fire.	
6. Use the specified cable and connect tightly for indoor/outdoor connection. Connect tightly and clamp the cable so that no external force will be acted on the terminal. If connection or fixing is not perfect, it will cause heat-up or fire at the connection.	
7. Wire routing must be properly arranged so that control board cover is fixed properly. If control board cover is not fixed perfectly, it will cause heat-up or fire at the connection point of terminal, fire or electrical shock.	
8. When connecting the piping, do not allow air or any substances other than the specified refrigerant to enter the refrigeration cycle. Otherwise, this may lower the capacity, cause abnormally high pressure in the refrigeration cycle, and possibly result in explosion and injury.	
9. It is desirable that the amount of residual oil is less than 40 mg/10m.	
10. Do not modify the length of the power supply cord or use of the extension cord, and do not share the single outlet with other electrical appliances. Otherwise, it will cause fire or electrical shock.	
11. After completion of the installation servicing confirm there is no leakage of refrigerant gas. It may generate toxic gas when the refrigerant contacts with fire.	
12. Ventilate if there is refrigerant gas leakage during operation. It may cause toxic gas when the refrigerant contacts with fire.	

 CAUTION	
1. The equipment must be earthed. It may cause electrical shock if grounding is not perfect.	
2. Do not install the unit at place where leakage of flammable gas may occur. In case gas leaks and accumulates at surrounding of the unit, it may cause fire.	
3. Carry out drainage piping as mentioned in installation instructions. If drainage is not perfect, water may enter the room and damage the furniture.	

 **CAUTION**

4. Pb free solder has a higher melting point than standard solder; typically the melting point is 50 - 70°F (30 - 40°C) higher. Please use a high temperature solder iron. In case of the soldering iron with temperature control, please set it to 700 ± 20°F (370 ± 10°C). Pb free solder will tend to splash when heated too high (about 1100°F / 600°C).
5. Tighten the flare nut with torque wrench according to specified method. If the flare nut is over-tightened, after a long period, the flare may break and cause refrigerant gas leakage.
6. Do not touch outdoor unit air inlet and aluminium fin. It may cause injury.

ATTENTION

1. Selection of the installation location. Select an installation location which is rigid and strong enough to support or hold the unit, and select a location for easy maintenance.
2. Power supply connection to the conditioner. Connect the power supply cord of the air conditioner to the mains using one of the following methods.
Power supply point shall be the place where there is ease for access for the power disconnection in case of emergency.
In some countries, permanent connection of this room air conditioner to the power supply is prohibited.
 1. Power supply connection to the receptacle using a power plug. Use an approved power plug with earth pin for the connection to the socket.
 2. Power supply connection to a circuit breaker for the permanent connection. Use an approved circuit breaker for the permanent connection. It must be a double pole switch with a minimum 3.5 mm contact gap.
3. Do not release refrigerant during piping work for installation, servicing, reinstallation and during repairing a refrigeration parts. Take care of the liquid refrigerant, it may cause frostbite.
4. Installation work. It may need two people to carry out the installation work.
5. Do not install this appliance in a laundry room or other location where water may drip from the ceiling, etc.

2 Specifications

2.1. CS-C18GKV CU-C18GKV

Item		Unit	Indoor unit	Outdoor unit	
Performance Test Condition			NEW JIS		
Capacity		kW	5.30		
		BTU/h	18100		
		*kJ/h	—		
EER		W/W	3.08		
		BTU/hW	10.52		
Noise Level		dB (A)	High: 42 Low: 37	High: 54 / -	
		Power level dB	—	—	
Moisture Removal		l/h	2.9		
		(pt/h)	6.1		
Air Volume	Lo	m ³ /m (ft ³ /m)	12.5 (442)	—	
	Me	m ³ /m (ft ³ /m)	13.6 (480)	—	
	Hi	m ³ /m (ft ³ /m)	14.8 (520)	51.0 (1800)	
	SHi	m ³ /m (ft ³ /m)	15.5 (545)	—	
Refrigerant Control Device			—	Capillary Tube	
Refrigerant Oil (Charged)		cm ³	—	ATMOS M60 or ATMOS 56M or SUNISO 4GDID (650cm ³)	
Refrigerant (Charged) R22		kg (oz)	—	1.33 (46.9)	
Dimension	Height	mm (inch)	275 (10 - 13/16)	750 (29 - 17/32)	
	Width	mm (inch)	998 (39 - 9/32)	875 (34 - 7/16)	
	Depth	mm (inch)	230 (9 - 1/16)	345 (13 - 19/32)	
Net Weight		kg (lbs)	11 (24)	48 (106)	
Pipe Diameter	Gas	mm (inch)	12.70 (1/2")		
	Liquid	mm (inch)	6.35 (1/4")		
Height Difference		m (ft)	20 (65.6)		
Pipe Length Range		m (ft)	3 (9.8) - 25 (82.0)		
Additional Gas Amount		g/m (oz/ft)	20 (0.2)		
Refrigeration Charge Less		m (ft)	7.5 (24.6)		
Drain Hose	Inner diameter	mm	16	—	
	Length	mm	650	—	
Compressor	Type		—	Rotary (1 cylinder) rolling piston type	
	Motor Type		—	Induction (2-poles)	
	Rated Output	W	—	1.2k	
Fan	Type		Cross-flow Fan	Propeller Fan	
	Material		ASHT-18	PP Resin	
	Motor Type		Transistor (8-poles)	Induction (6-poles)	
	Input power	W	47.3	162.8	
	Output power	W	30	69	
	Fan Speed	Lo (Cool)	rpm	1150	—
		Me (Cool)	rpm	1250	—
		Hi (Cool)	rpm	1360	870
SHi (Cool)		rpm	1420	—	
Heat Exchanger	Fin material		Aluminium (Pre Coat)	Aluminium (Gold Coat)	
	Fin Type		Slit Fin	Louver Fin	
	Row × Stage × FPI		2 × 15 × 21	2 × 34 × 16	
	Size (W × H × L)	mm	810 × 315 × 25.4	814.8:834.8 × 714 × 25.4	
Air Filter Type	Material		Polypropelene	—	
	Style		One-touch	—	

1. Cooling capacities are based on indoor temperature of 27°C D.B. (80.6°F D.B.), 19.0°C W.B. (66.2°F W.B.) and outdoor air temperature of 35°C D.B. (95°F D.B.), 24°C W.B. (75.2°F W.B.)

Item		Unit	
Power Source (Phase, Voltage, Cycle)		∅	Single
		V	220
		Hz	60
Input power		W	1.72k
Starting Current		A	47
Running Current	Cooling	A	8.0
Power Factor	Cooling	A	98
Power factor means total figure of compressor, indoor fan motor and outdoor fan motor.			
Power Cord	Number of core		3 (1.5mm)
	Length	m (ft)	2 (6)
Thermostat			—
Protection Device			2 Stage Overload Protector

Note:

- Specification are subject to change without prior notice for further improvement.

2.2. CS-C24GKV CU-C24GKV

Item		Unit	Indoor unit	Outdoor unit	
Performance Test Condition			NEW JIS		
Capacity		kW	7.03		
		BTU/h	24000		
		*kJ/h	—		
EER		W/W	2.76		
		BTU/hW	9.41		
Noise Level		dB (A)	High: 46 Low: 40	High: 55 / -	
		Power level dB	—	—	
Moisture Removal		l/h	4.0		
		(pt/h)	8.5		
Air Volume	Lo	m ³ /m (ft ³ /m)	13.9 (493)	—	
	Me	m ³ /m (ft ³ /m)	15.7 (553)	—	
	Hi	m ³ /m (ft ³ /m)	16.9 (600)	51.0 (1800)	
	SHi	m ³ /m (ft ³ /m)	17.9 (632)	—	
Refrigerant Control Device			—	Capillary Tube	
Refrigerant Oil (Charged)		cm ³	—	ATMOS M60 or SUNISO 4GDID (1130cm ³)	
Refrigerant (Charged) R22		kg (oz)	—	1.41 (49.8)	
Dimension	Height	mm (inch)	275 (10 - 13/16)	750 (29 - 17/32)	
	Width	mm (inch)	998 (39 - 9/32)	875 (34 - 7/16)	
	Depth	mm (inch)	230 (9 - 1/16)	345 (13 - 19/32)	
Net Weight		kg (lbs)	11 (24)	60 (132)	
Pipe Diameter	Gas	mm (inch)	15.88 (5/8")		
	Liquid	mm (inch)	6.35 (1/4")		
Height Difference		m (ft)	20 (65.6)		
Pipe Length Range		m (ft)	3 (9.8) - 25 (82.0)		
Additional Gas Amount		g/m (oz/ft)	30 (0.3)		
Refrigeration Charge Less		m (ft)	7.5 (24.6)		
Drain Hose	Inner diameter	mm	16	—	
	Length	mm	650	—	
Compressor	Type		—	Rotary (1 cylinder) rolling piston type	
	Motor Type		—	Induction (2-poles)	
	Rated Output	W	—	1.8k	
Fan	Type		Cross-flow Fan	Propeller Fan	
	Material		ASHT-18	PP Resin	
	Motor Type		Transistor (8-poles)	Induction (6-poles)	
	Input power	W	60	148.4	
	Output power	W	30	72	
	Fan Speed	Lo (Cool)	rpm	1240	—
		Me (Cool)	rpm	1390	—
		Hi (Cool)	rpm	1500	870
SHi (Cool)		rpm	1590	—	
Heat Exchanger	Fin material		Aluminium (Pre Coat)	Aluminium (Gold Coat)	
	Fin Type		Slit Fin	Louver Fin	
	Row × Stage × FPI		2 × 15 × 21	2 × 34 × 18	
	Size (W × H × L)	mm	810 × 315 × 25.4	814.8:834.8 × 714 × 25.4	
Air Filter Type	Material		Polypropelene	—	
	Style		One-touch	—	

1. Cooling capacities are based on indoor temperature of 27°C D.B. (80.6°F D.B.), 19.0°C W.B. (66.2°F W.B.) and outdoor air temperature of 35°C D.B. (95°F D.B.), 24°C W.B. (75.2°F W.B.)

Item		Unit	
Power Source (Phase, Voltage, Cycle)		∅	Single
		V	220
		Hz	60
Input power		kW	2.55
Starting Current		A	63
Running Current	Cooling	A	12.0
Power Factor	Cooling	A	97
Power factor means total figure of compressor, indoor fan motor and outdoor fan motor.			
Power Cord	Number of core		3 (2.5mm)
	Length	m (ft)	2 (6)
Thermostat			—
Protection Device			—

Note:

- Specification are subject to change without prior notice for further improvement.

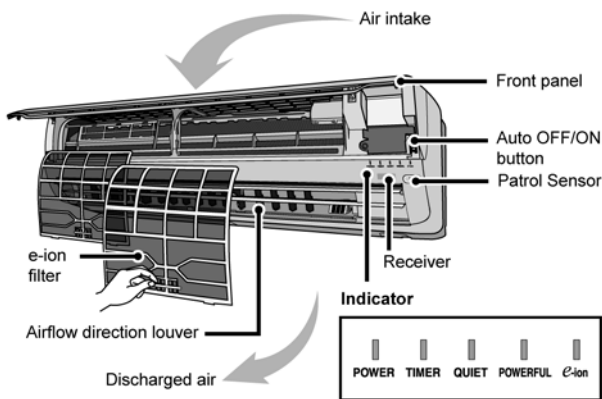
3 Features

- **High Efficiency**
- **Compact Design**
- **Wider range of horizontal discharge air**
- **Air Filter with function to reduce dust and smoke**
- **Automatic air swing by Remote Control for vertical and horizontal airflow**
- **Long Installation Piping**
 - CS/CU-C18GK, CS/CU-C24GK, long piping up to 25 meter
- **e-ion Air Purifying System with Patrol Sensor**
 - Discharged Active e-ions capture dust particles and bring it back with a boomerang-like mechanism
- **Quality Improvement**
 - Random auto restart after power failure for safety restart operation
 - Gas leakage protection
 - Prevent compressor reverse cycle
 - Inner protector to protect Compressor
 - Noise prevention during soft dry operation
 - Gold Coated Condenser for high resistance to corrosion
- **Operation Improvement**
 - Quiet mode to provide quiet operation
 - Powerful mode to reach the desired room temperature quickly
 - 24-hour timer setting
- **Serviceability Improvement**
 - Removable and washable front panel

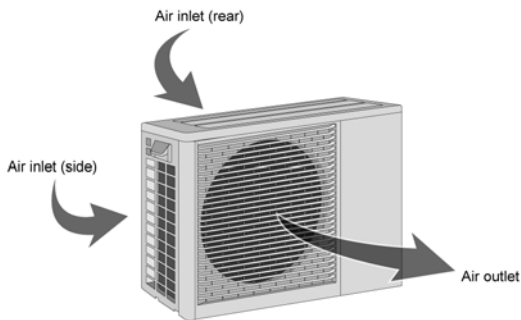
4 Location of Controls and Components

4.1. Product Overview

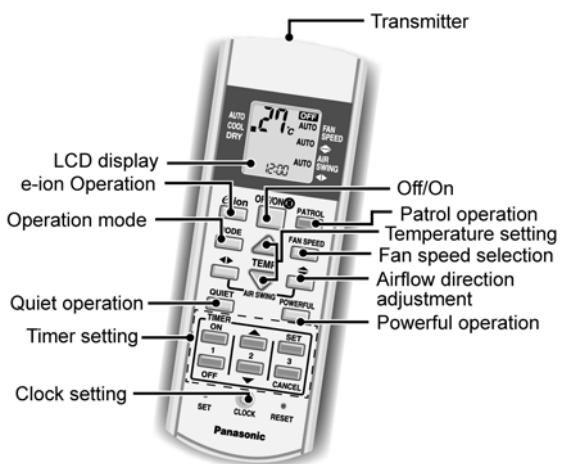
4.1.1. Indoor Unit



4.1.2. Outdoor Unit



4.1.3. Remote Control

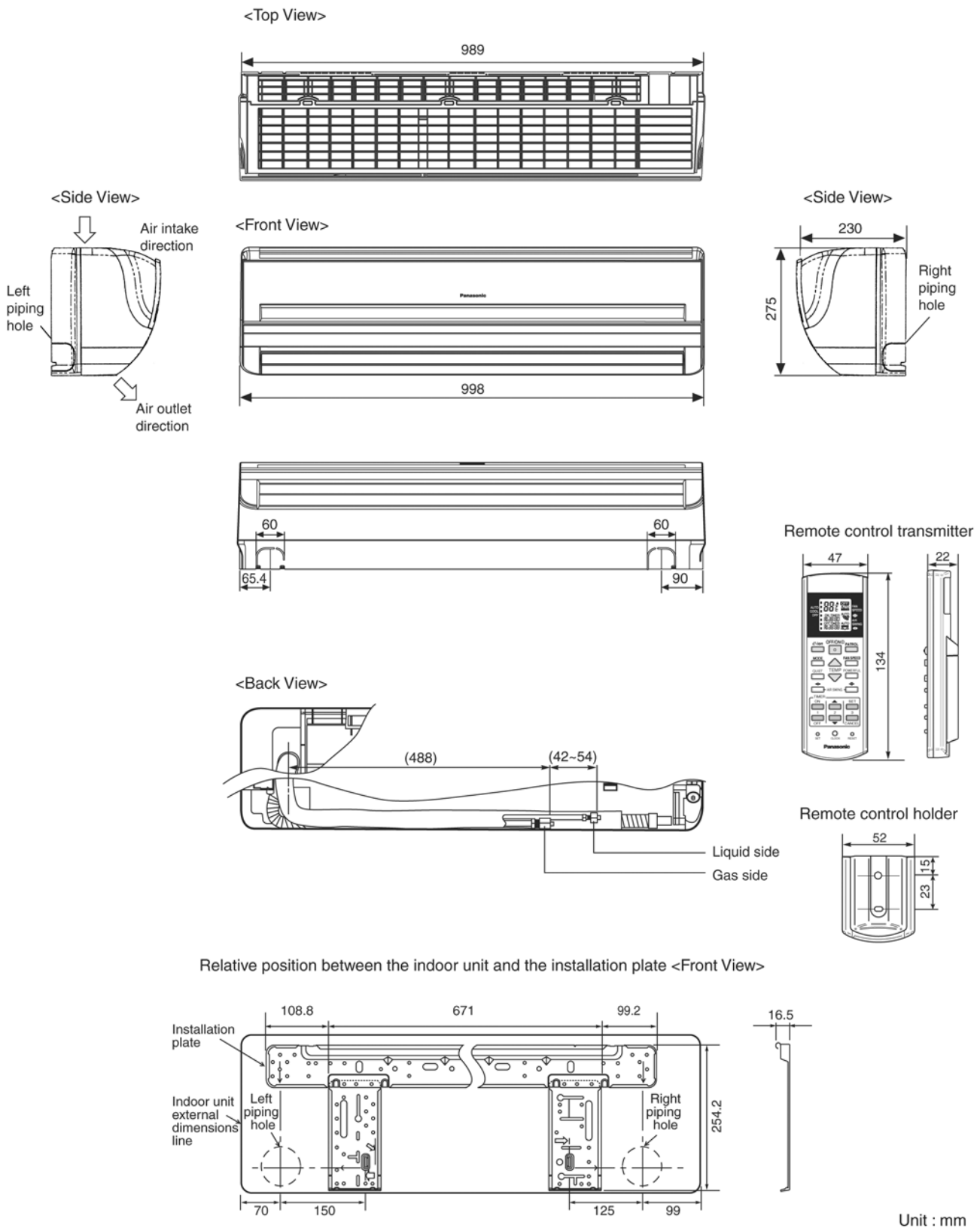


* For normal operation, the **SET** button is not in use.
 * Press **RESET** button to restore the remote control's default setting.

5 Dimensions

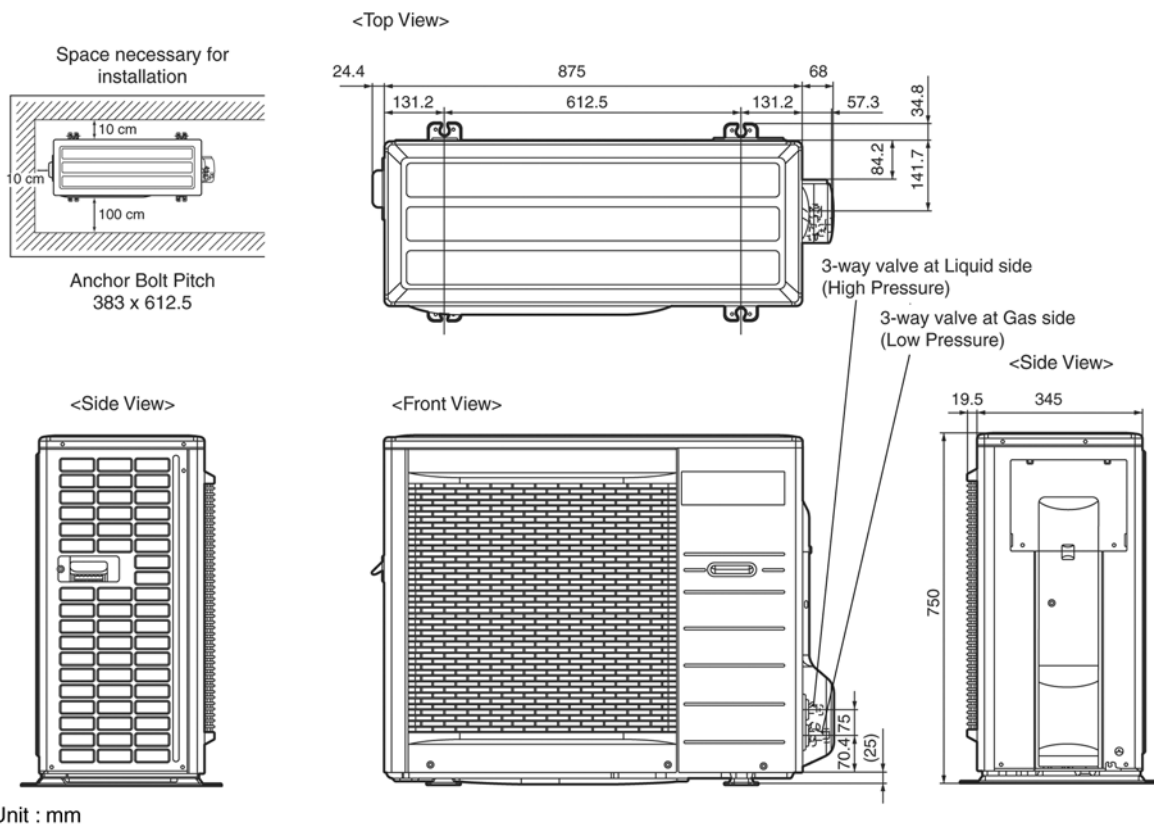
5.1. Indoor Unit & Remote Control

5.1.1. CS-C18GK CS-C24GK

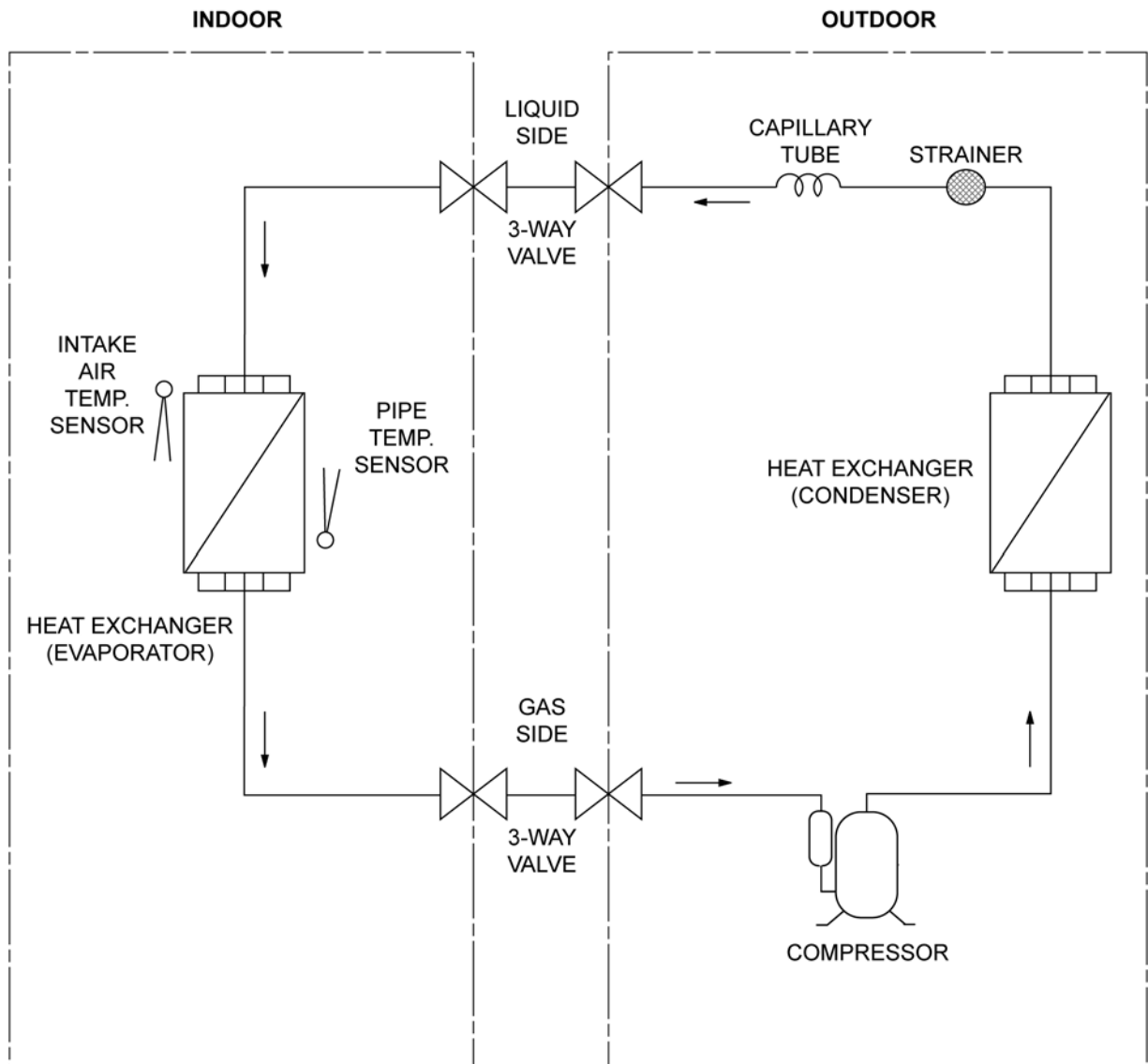


5.2. Outdoor Unit

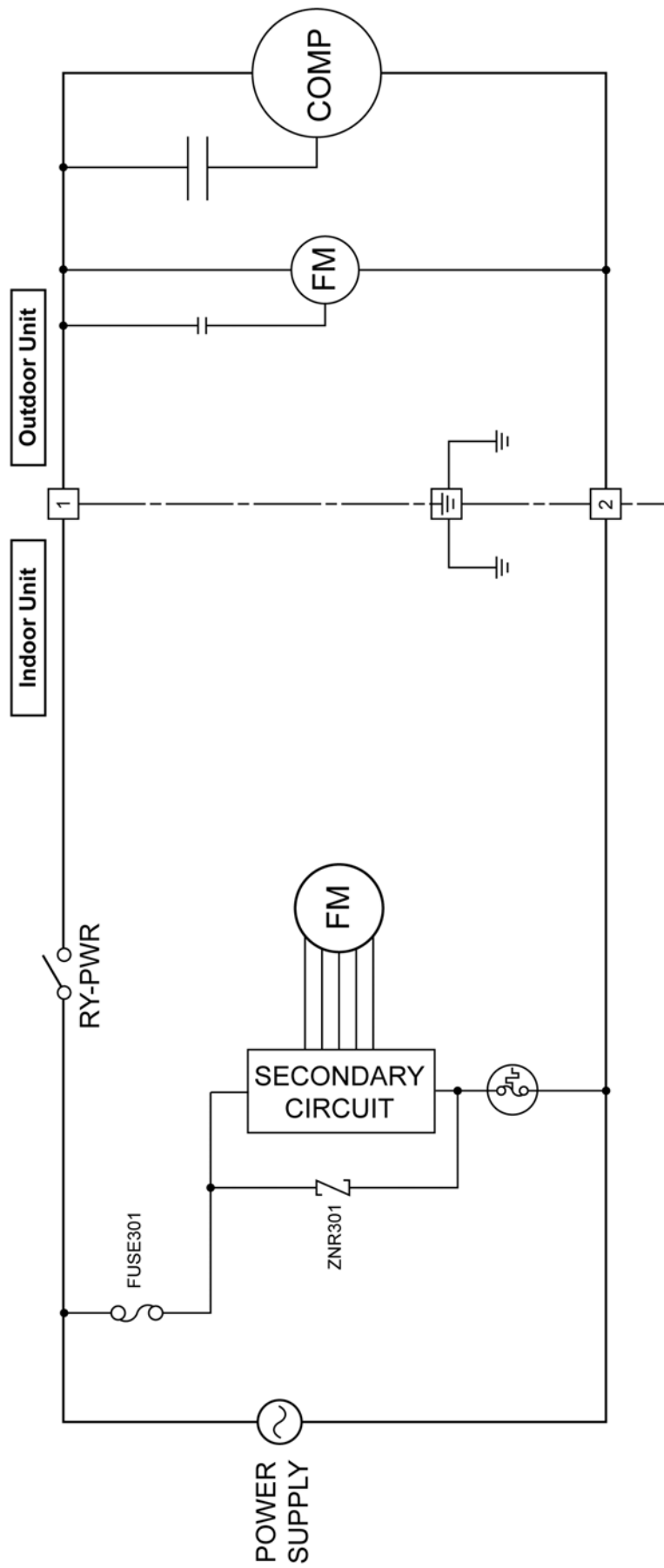
5.2.1. CU-C18GK CU-C24GK



6 Refrigeration Cycle Diagram

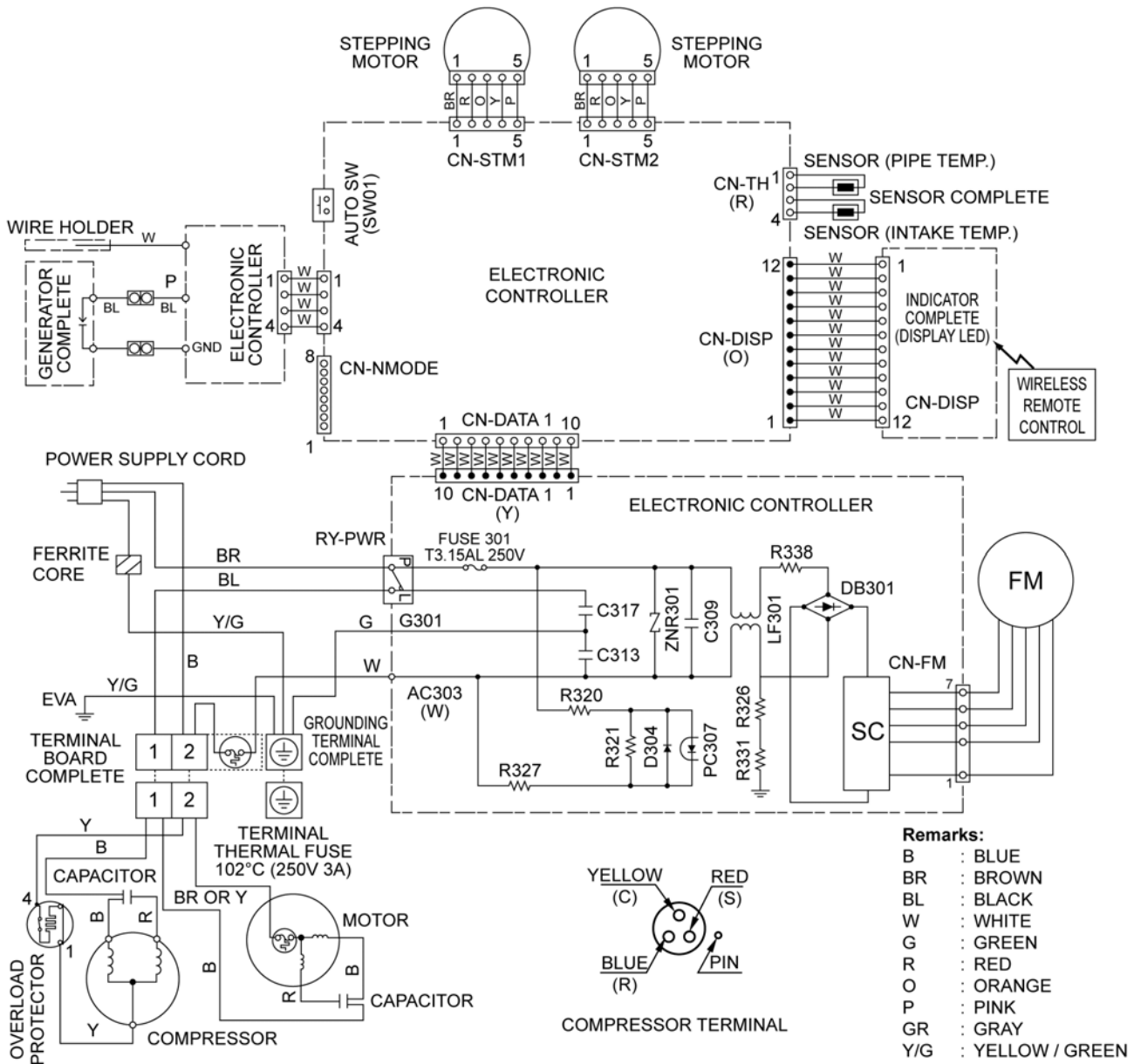


7 Block Diagram



8 Wiring Connection Diagram

8.1. CS-C18GK CU-C18GK



Resistance of Outdoor Fan Motor Windings

MODEL	CU-C18GK
CONNECTION	CWA951401J
BLUE-YELLOW	59.47 Ω
YELLOW-RED	60.95 Ω

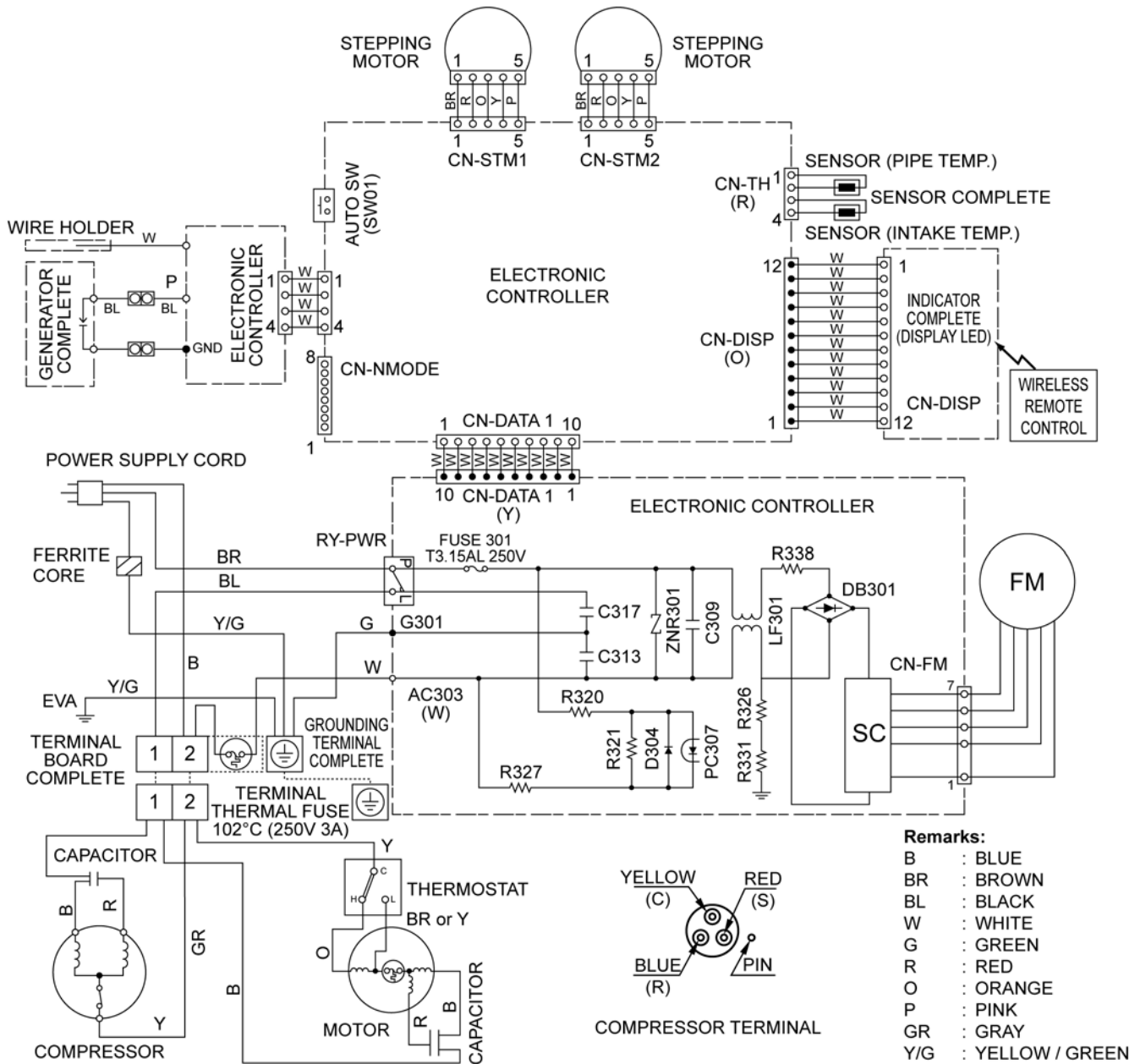
Note: Resistance at 20°C of ambient temperature.

Resistance of Compressor Windings

MODEL	CU-C18GK
CONNECTION	2KS25S236F6A
C - R	1.505 Ω
C - S	1.809 Ω

Note: Resistance at 20°C of ambient temperature.

8.2. CS-C24GK CU-C24GK



Resistance of Outdoor Fan Motor Windings

MODEL	CU-C24GK
CONNECTION	CWA951399J
BLUE-YELLOW	59.47 Ω
YELLOW-RED	60.95 Ω
YELLOW-ORANGE	80.58 Ω

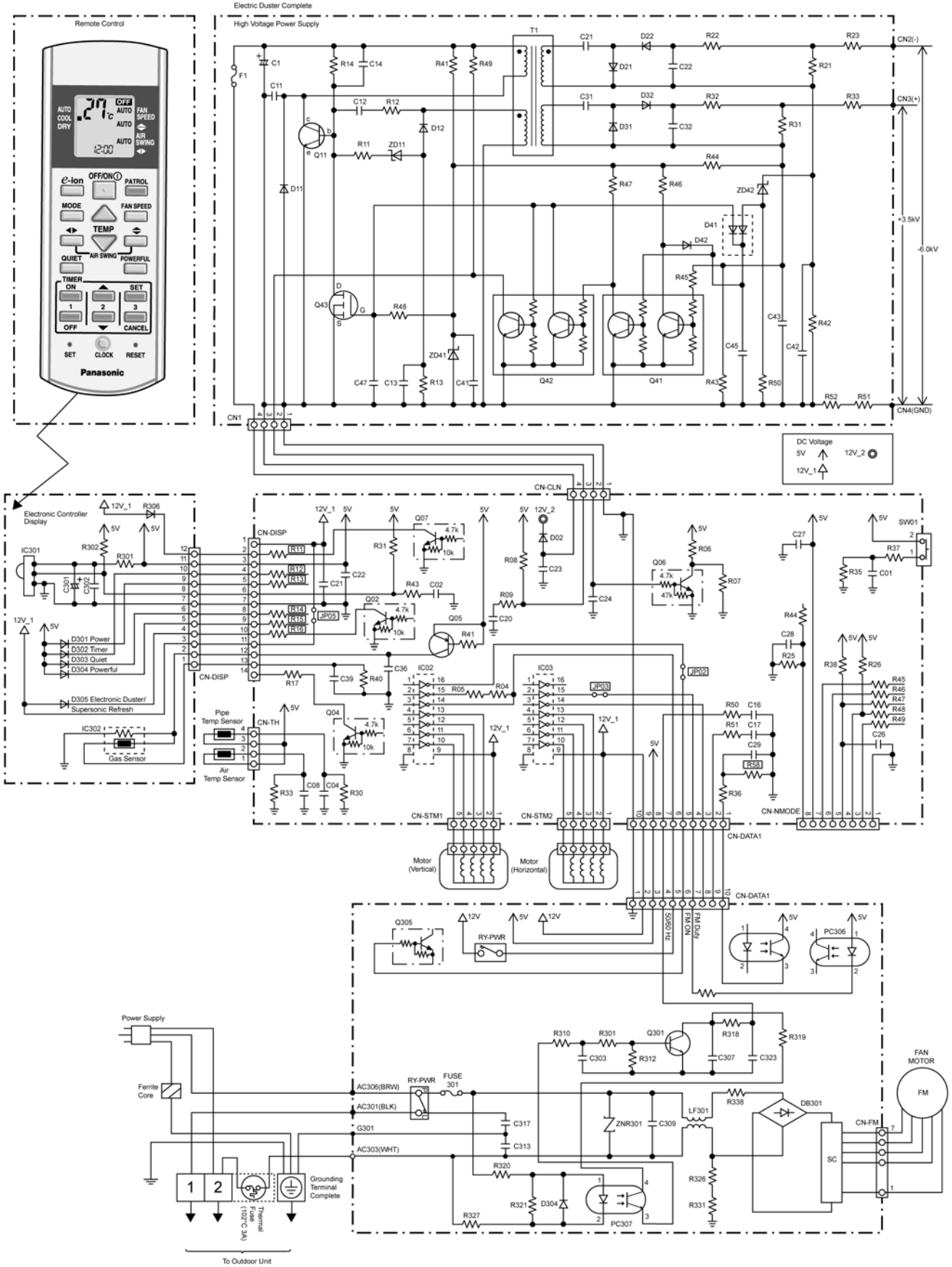
Note: Resistance at 20°C of ambient temperature.

Resistance of Compressor Windings

MODEL	CU-C24GK
CONNECTION	2J39S236A1A
C - R	0.933 Ω
C - S	1.584 Ω

Note: Resistance at 20°C of ambient temperature.

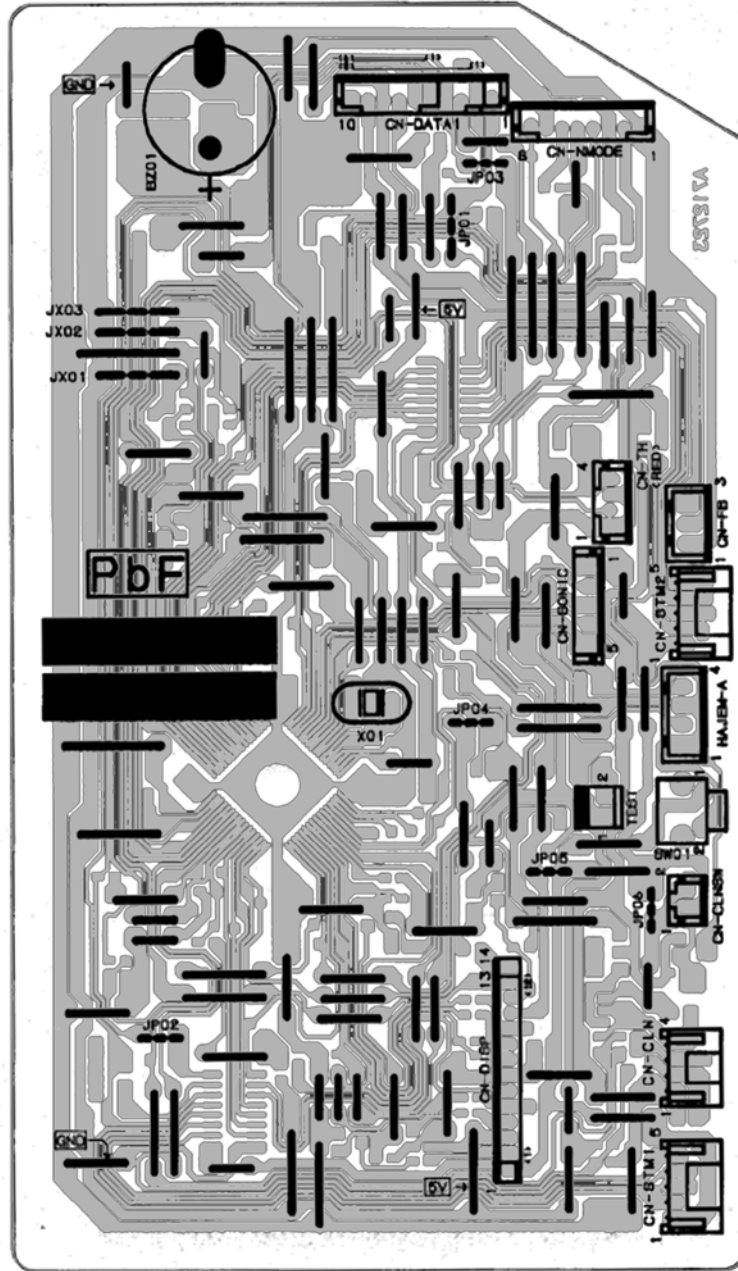
9 Electronic Circuit Diagram



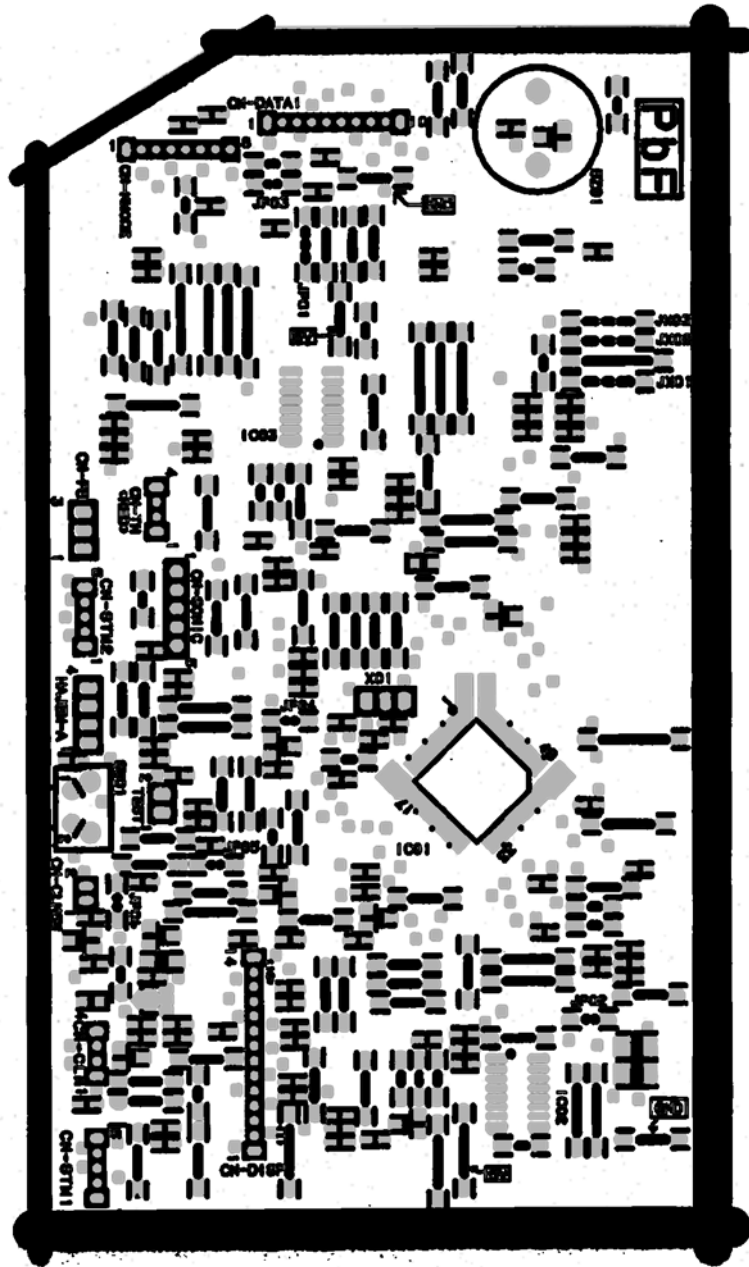
10 Printed Circuit Board

10.1. Indoor Unit

TOP VIEW

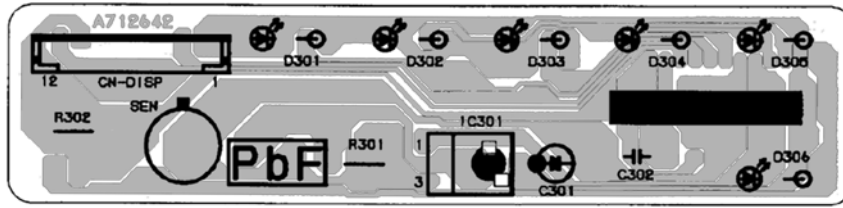


BOTTOM VIEW

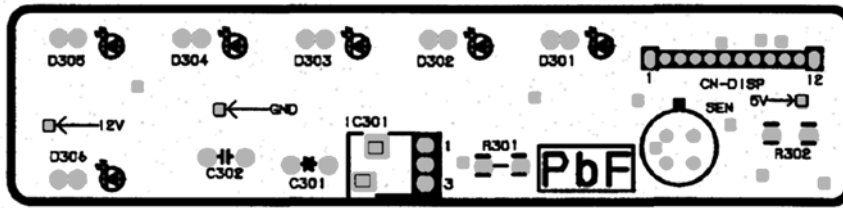


10.2. Indicator

TOP VIEW



BOTTOM VIEW



11 Installation Instruction

SELECT THE BEST LOCATION

INDOOR UNIT

- There should not be any heat source or steam near the unit.
- There should not be any obstacles blocking the air circulation.
- A place where air circulation in the room is good.
- A place where drainage can be easily done.
- A place where noise prevention is taken into consideration.
- Do not install the unit near the door way.
- Ensure the spaces indicated by arrows from the wall, ceiling, fence or other obstacles.
- Recommended installation height for indoor unit shall be at least 2.5 m.

OUTDOOR UNIT

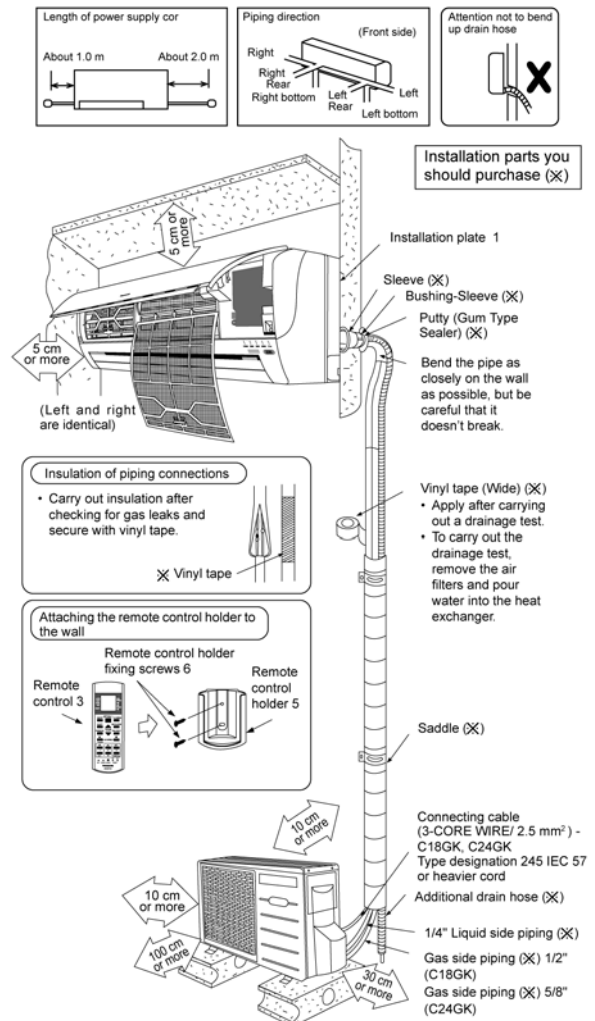
- If an awning is built over the unit to prevent direct sunlight or rain, be careful that heat radiation from the condenser is not obstructed.
- There should not be any animal or plant which could be affected by hot air discharged.
- Keep the spaces indicated by arrows from wall, ceiling, fence or other obstacles.
- Do not place any obstacles which may cause a short circuit of the discharged air.
- If piping length is over 7.5m, additional refrigerant should be added as shown in the table.

REMOTE CONTROL

- Do not install at place where there is direct sunlight or near any heat source.

Model	Piping size		Rated Length (m)	Max. Evaluation (m)	Min. Piping Length (m)	Max. Piping Length (m)	Additional Refrigerant (g/m)
	Gas	Liquid					
C18GK	1/2"	1/4"	5	20	3	25	20
C24GK	5/8"	1/4"	5	20	3	25	30

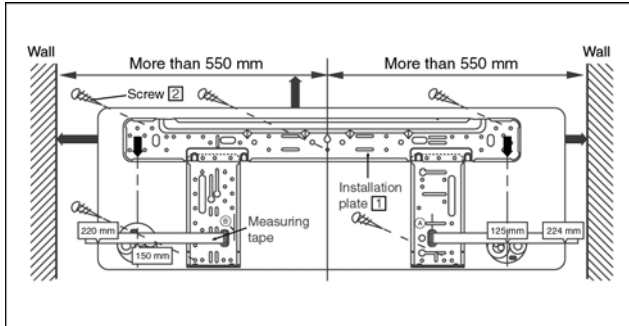
Indoor/Outdoor Unit Installation Diagram



11.1. Indoor Unit

11.1.1. HOW TO FIX INSTALLATION PLATE

The mounting wall is strong and solid enough to prevent it from the vibration.



The centre of installation plate should be at more than 550 mm at right and left of the wall.

The distance from installation plate edge to ceiling should more than 67 mm.

From installation plate left edge to unit's left side is 47 mm.

From installation plate right edge to unit's right is 73 mm.

- (B)**
- : For left side piping, piping connection for liquid should be about 126 mm from this line.
 - : For left side piping, piping connection about 174 mm from this line.
 - : For left side piping, piping connection about 984 mm from this line.

1. Mount the installation plate on the wall with 5 screws or more.
(If mounting the unit on the concrete wall, consider using anchor bolts.)
 - Always mount the installation plate horizontally by aligning the marking-off line with the thread and using a level gauge.
2. Drill the piping plate hole with $\phi 70$ mm hole-core drill.
 - Line according to the arrows marked on the lower left and right side of the installation plate. The meeting point of the extended line is the centre of the hole. Another method is by putting measuring tape at position as shown in the diagram above. The hole centre is obtained by measuring the distance namely 150 mm and 125 mm for left and right hole respectively.
 - Drill the piping hole at either the right or the left and the hole should be slightly slanted to the outdoor side.

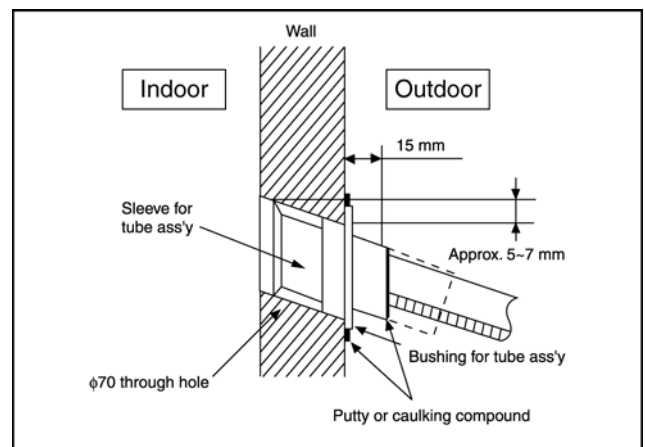
11.1.2. TO DRILL A HOLE IN THE WALL AND INSTALL A SLEEVE OF PIPING

1. Insert the piping sleeve to the hole.
2. Fix the bushing to the sleeve.
3. Cut the sleeve until it extrudes about 15 mm from the wall.

Caution

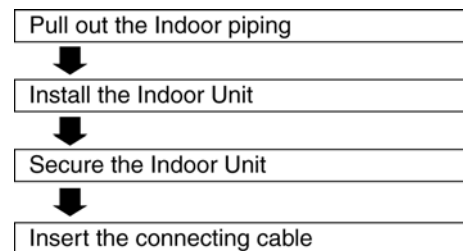
When the wall is hollow, please be sure to use the sleeve for tube ass'y to prevent dangers caused by mice biting the connecting cable.

4. Finish by sealing the sleeve with putty or caulking compound at the final stage.

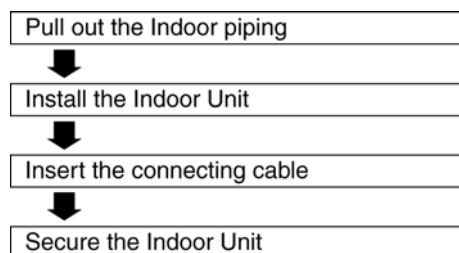


11.1.3. INDOOR UNIT INSTALLATION

1. For the right rear piping



2. For the right and right bottom piping



3. For the embedded piping

- Replace the drain hose
- Bend the embedded piping
 - Use a spring bender or equivalent to bend the piping so that the piping is not crushed.
- Install the Indoor Unit
- Cut and flare the embedded piping
 - When determining the dimensions of the piping, slide the unit all the way to the left on the installation plate.
 - Refer to the section "Cutting and flaring the piping".
- Pull the connecting cable into Indoor Unit
 - The inside and outside connecting cable can be connected without removing the front grille.
- Connect the piping
 - Please refer to "Connecting the piping" column in outdoor unit section. (Below steps are done after connecting the outdoor piping and gas-leakage confirmation.)
- Insulate and finish the piping
 - Please refer to "Piping and finishing" column of outdoor section and "Insulation of piping connections" column as mentioned in Indoor/Outdoor Unit Installation.
- Secure the Indoor Unit

Install the Indoor Unit

Hook the indoor unit onto the upper portion of installation plate (Engage the indoor unit with the upper edge of the installation plate). Ensure the hooks are properly seated on the installation plate by moving in left and right.

1. Tape the extra power supply cord in a bundle and keep it behind the chassis.
 - Ensure that the power supply cord is not clamped in between the unit's hook (2 positions) and installation plate.
2. Press the lower left and right side of the unit against the installation plate until hooks engages with their slot (sound click).

Pull out the piping and drain hose

Move the drain hose near to arrow mark, and tape it with piping in a position as mentioned in Fig. below.

To take out the unit, push the [PUSH] marking at the bottom unit, and pull it slightly towards you to disengage the hooks from the unit.

(This can be used for left rear piping and left bottom piping also.)

How to keep the cover

In case of the cover is cut, keep the cover at the rear of chassis as shown in the illustration for future reinstallation.

(Left, right and 2 bottom covers for piping.)

Exchange the drain hose and the cap

Rear view for left piping installation

Adjust the piping slightly downwards.

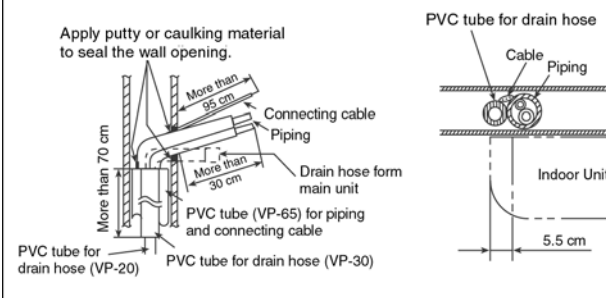
Insert the connecting cable

Length of connecting cable: 134 cm

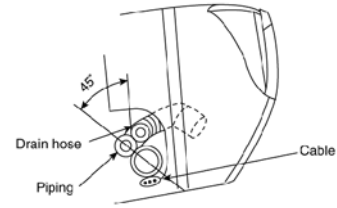
Cable: Gas side piping, Liquid side piping

More than approx. 95 cm

- How to pull the piping and drain hose out, in case of the embedded piping.



- In case of left piping how to insert the connecting cable and drain hose.



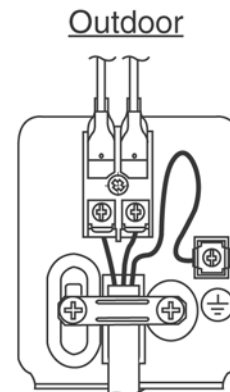
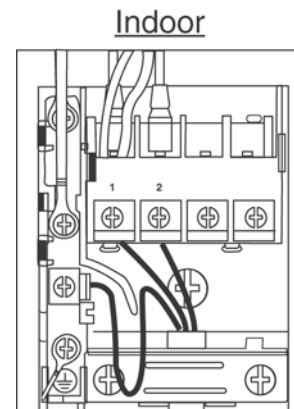
(For the right piping, follow the same procedure)

11.1.4. CONNECT THE CABLE TO THE INDOOR UNIT

1. The inside and outside connecting cable can be connected without removing the front grille.
 2. Connecting cable between indoor unit and outdoor unit shall be approved polychloroprene sheathed $3 \times 2.5 \text{ mm}^2$ flexible cord, type designation 245 IEC 57 or heavier cord.
- Ensure the colour of wires of outdoor unit and the terminal Nos. are the same to the indoor's respectively.
 - Earth lead wire shall be longer than the other lead wires as shown in the figure for the electrical safety in case of the slipping out of the cord from the anchorage.

Terminals on the indoor unit	1	2	
Colour of wires			
Terminals on the outdoor unit	1	2	

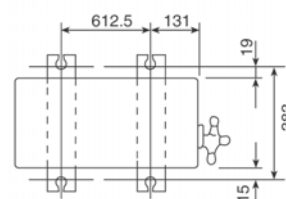
- Secure the cable onto the control board with the holder (clammer).



11.2. Outdoor Unit

11.2.1. INSTALL THE OUTDOOR UNIT

- After selecting the best location, start installation according to Indoor/Outdoor Unit Installation Diagram.
1. Fix the unit on concrete or rigid frame firmly and horizontally by bolt nut ($\phi 10 \text{ mm}$).
 2. When installing at roof, please consider strong wind and earthquake. Please fasten the installation stand firmly with bolt or nails.



11.2.2. CONNECTING THE PIPING

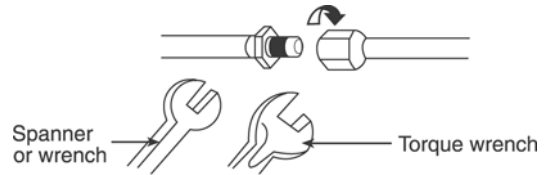
Connecting The Piping To Indoor Unit

Please make flare after inserting flare nut (locate at joint portion of tube assembly) onto the copper pipe.

(In case of using long piping)

Connect the piping

- Align the center of piping and sufficiently tighten the flare nut with fingers.
- Further tighten the flare nut with torque wrench in specified torque as stated in the table.



MODEL	Piping size (Torque)	
	Gas	Liquid
C18GK	1/2" (55 N•m)	1/4" (18 N•m)
C24GK	5/8" (65 N•m)	1/4" (18 N•m)

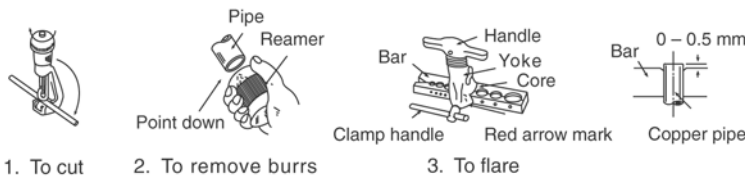
Connect The Piping to Outdoor Unit

Decide piping length and then cut by using pipe cutter. Remove burrs from cut edge. Make flare after inserting the flare nut (located at valve) onto the copper pipe.

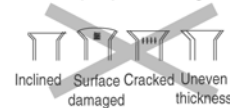
Align center of piping to valves and then tighten with torque wrench to the specified torque as stated in the table.

Cutting and Flaring the Piping

1. Please cut using pipe cutter and then remove the burrs.
2. Remove the burrs by using reamer. If burrs is not removed, gas leakage may be caused. Turn the piping end down to avoid the metal powder entering the pipe.
3. Please make flare after inserting the flare nut onto the copper pipes.



Improper flaring

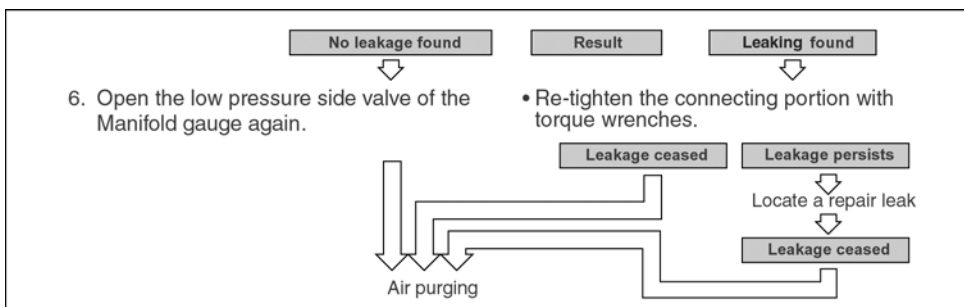
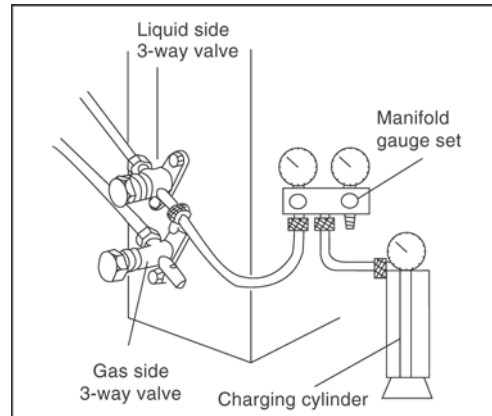


When properly flared, the internal surface of the flare will evenly shine and be of even thickness. Since the flare part comes into contact with the connections, carefully check the flare finish.

11.2.3. AIR PURGING OF THE PIPINGS AND INDOOR UNIT

1) Checking a gas leakage

1. Remove the service-port cap from both 3-way valves.
2. Connect the Manifold gauge set to the service port of Liquid side 3-way valve.
3. Connect the Charging Cylinder to the Manifold gauge set and open the valve of the Cylinder.
4. Open the low pressure side valve of the Manifold gauge for approx. 10 seconds and then close.
5. Check gas-leakage of the connecting portion of pipings with the gas-leak detector.



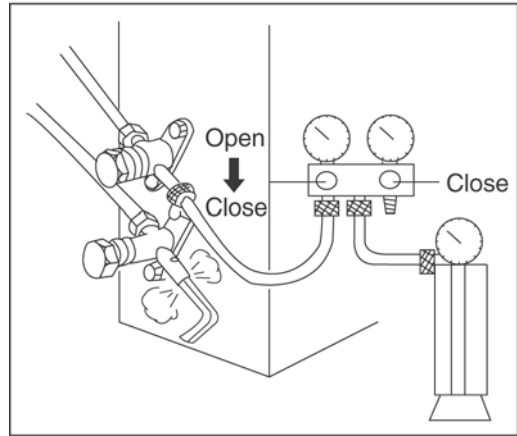
<For the left pipings>

- 1) Measure the pressure.
- 2) Keep it for 5-10 minutes
- Ensure if the pressure indicated on the gauge is as same as that of measured at first time.

2) Air purging

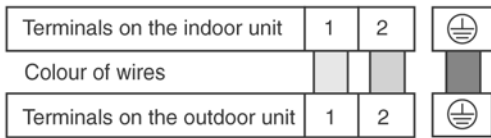
The air remaining in the Refrigeration cycle which contains moisture may cause malfunction on the Compressor.

- 1. To purge the air, push the pin on the Gas side 3-way valve for three seconds with a Hexagonal wrench and set it free for one minute.
 - Repeat this for three times.
- 2. To balance the refrigerant, close the low pressure side valve on the Manifold gauge and release refrigerant from the piping through service port until the gauge indicates 0.5 - 0.3 MPa.
- 3. Set both 3-way valves to open position with the Hexagonal wrench for the unit operation.



11.2.4. CONNECT THE CABLE TO THE OUTDOOR UNIT

- 1. Remove the control board cover from the unit by loosening the screw.
- 2. Connecting cable between indoor unit and outdoor unit shall be approved polychloroprene sheathed 3 × 2.5 mm² flexible cord, type designation 245 IEC 57 or heavier cord.



- 3. Secure the cable onto the control board with the holder (clammer).
- 4. Attach the control board cover to the original position with the screw.

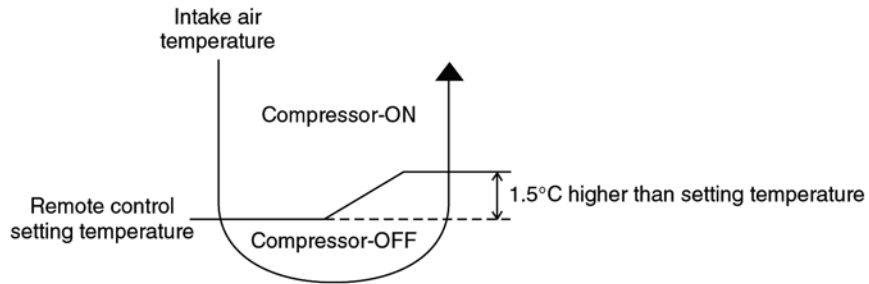
11.2.5. Pipe Insulation

- 1. Please carry out insulation at pipe connection portion as mentioned in Indoor/Outdoor Unit Installation Diagram. Please wrap the insulated piping end to prevent water from going inside the piping.
- 2. If drain hose or connecting piping is in the room (where dew may form), please increase the insulation by using POLY-E FOAM with thickness 6mm or above.

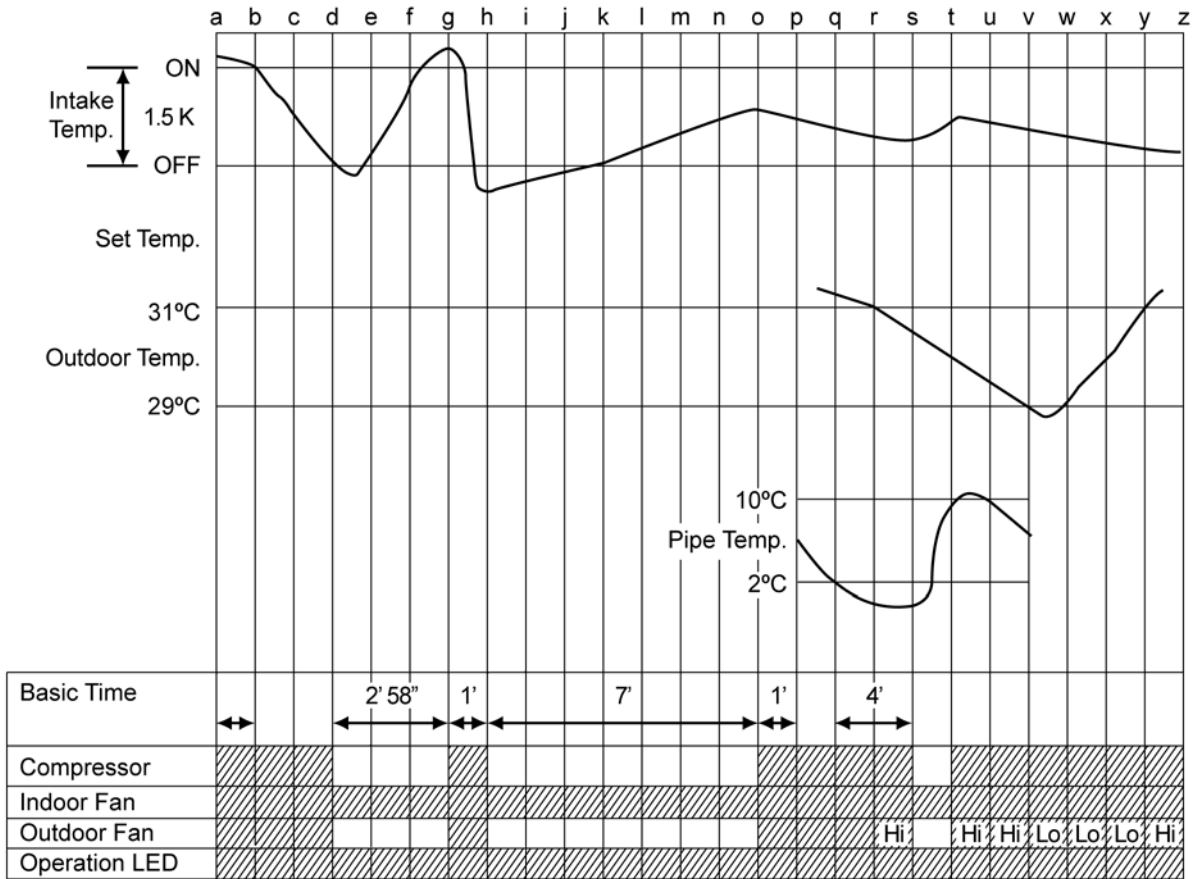
12 Operation and Control

12.1. Cooling Operation

- Cooling operation can be set using remote control.
- This operation is applied to cool down the room temperature reaches the setting temperature set on the remote control.
- The remote control setting temperature, which takes the reading of intake air temperature sensor, can be adjusted from 16°C to 30°C.
- During cooling operation, the compressor will stop running and restart as shown in below figure.



12.1.1. Cooling Operation Time Diagram



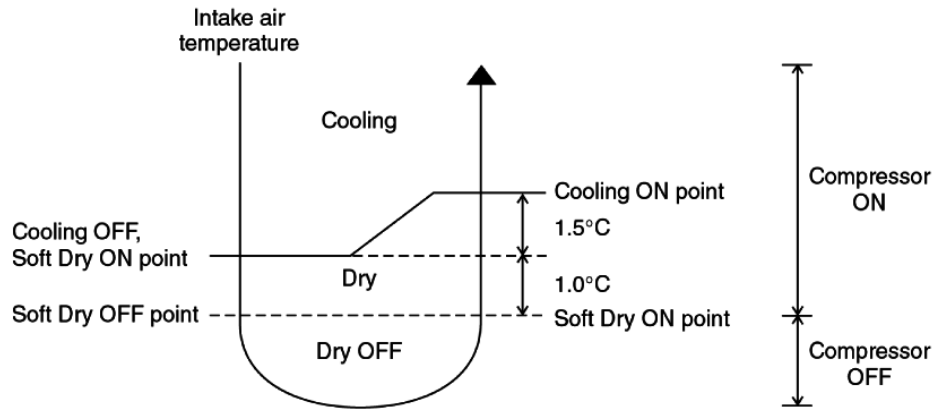
<Description of operation>

- d – g : restart control (waiting for 3 min.)
- a – b, g – h, o – p : 60 sec. forcible operation.
- h – o : 7 min. time save control.
- q – t : freeze prevention control.
- v – y : outdoor fan control.

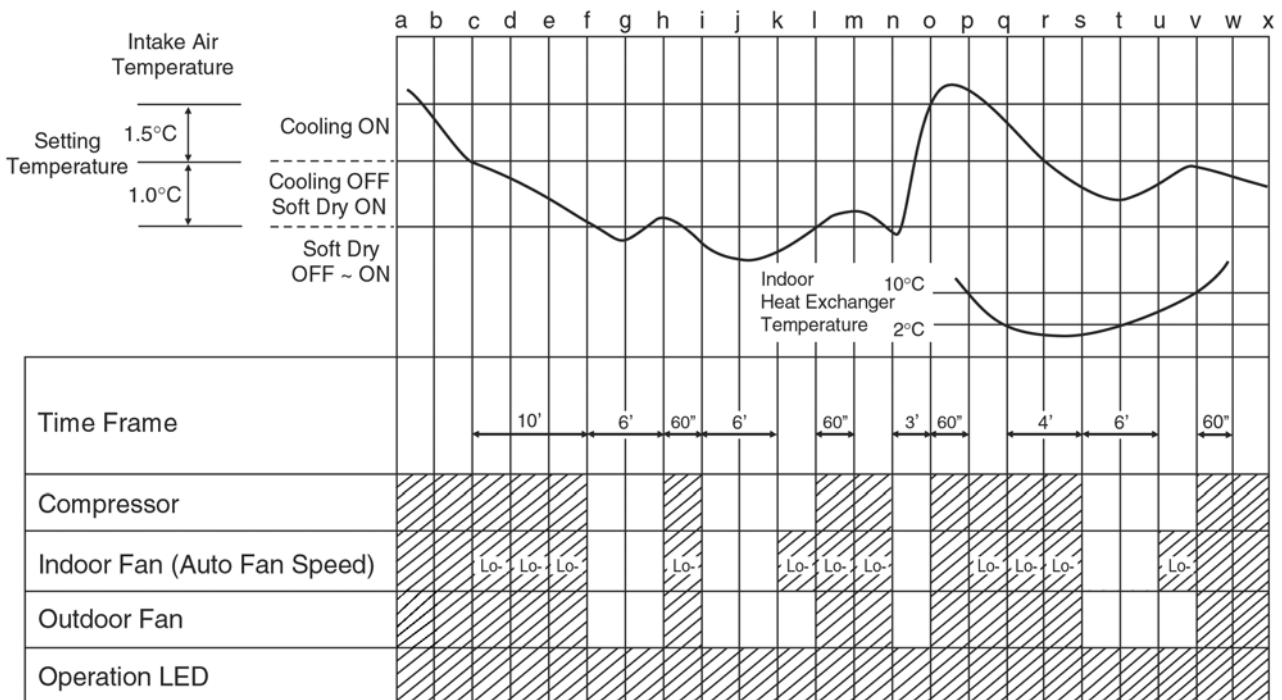


12.2. Soft Dry Operation

- Soft Dry operation can be set using remote control.
- Soft Dry operation is applied to dehumidify and to perform a gentle cooling to the room.
- This operation starts when the intake air temperature sensor reaches the setting temperature on the remote control.
- When operation begins, Soft Dry will be switched "ON" for a maximum 10 minutes, then Soft Dry operation will be turned "OFF" for a minimum 6 minutes. After that, the Soft Dry operation will be "ON" and "OFF" based on the setting temperature as shown in below figure.
- However after 3 minutes of compressor off, during Soft Dry "OFF" (within 6 minutes Soft Dry restart control), the indoor unit will start to operate at normal Cooling mode if the intake temperature is higher than Cooling "ON" point.



12.2.1. Soft Dry Operation Time Diagram



<Description of operation>

h – i, l – m, o – p, v – w : Minimum 60 seconds forced operation

n – o : Minimum 3 minutes restart control (Time Delay Safety Control) - Cooling operation

f – h, i – k, s – u : Minimum 6 minutes restart control (Time Delay Safety Control) - Soft dry operation

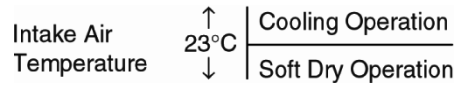
q – v : Freeze Prevention Control

Operation

Stop

12.3. Automatic Operation

- Automatic operation can be set using remote control.
- This operation starts to operate with indoor fan at SLo speed for 25 seconds to judge the intake air temperature.
- After judged the temperature, the operation mode is determined by referring to the below standard.



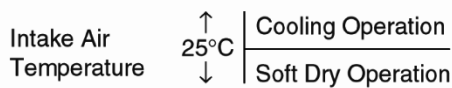
- Then, the unit start to operate at determined operation mode, until it is switched off using remote control, with the setting temperature as shown in below table.

	Setting Temperature (Standard)
Cooling Operation	25°C
Soft Dry Operation	22°C

- The setting temperature for all the operations can be changed one level up or one level down from the standard temperature as shown in below table by pressing on the temperature up or temperature down button at remote control.

			Cooling	Soft Dry
Higher	→	+2°C	27°C	24°C
Standard	→	±0°C	25°C	22°C
Lower	→	-2°C	23°C	20°C

- The operation mode judging temperature and standard setting temperature can be increased by 2°C permanently, by open the circuit of JX1 at indoor electronic controller.



	Setting Temperature (Standard)
Cooling Operation	27°C
Soft Dry Operation	24°C

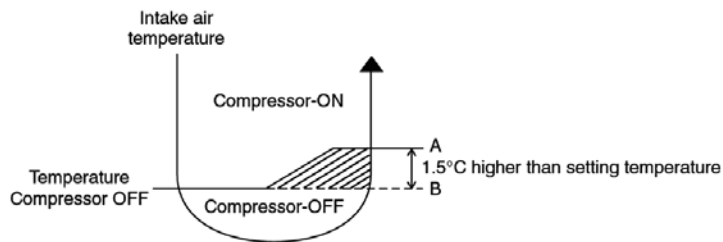
12.4. Operation Control

12.4.1. Restart Control (Time Delay Safety Control)

- When the thermo-off temperature (temperature which compressor stops to operate) is reached during:-
 - Cooling operation - the compressor stops for 3 minutes (minimum) before resume operation.
 - Soft Dry operation - the compressor stops for 6 minutes (minimum) before resume operation.
- If the operation is stopped by the remote control, the compressor will not turn on within 3 minutes from the moment operation stop, although the unit is turn on again within the period.
- This phenomenon is to balance the pressure inside the refrigerant cycle.

12.4.2. 7 Minutes Time Save Control

- The compressor will start automatically if it has stopped for 7 minutes and the intake air temperature falls between the compressor ON temperature (A) and compressor OFF temperature (B) during the period.
- This phenomenon is to reduce the built up humidity inside a room.

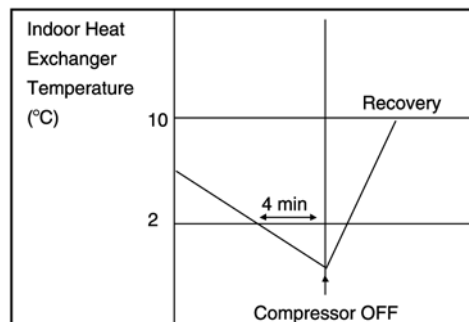


12.4.3. 60 Seconds Forced Operation

- Once the air conditioner is turned on, the compressor will not stop within 60 seconds in a normal operation although the intake air temperature has reached the thermo-off temperature. However, force stop by pressing the OFF/ON operation button at the remote control is permitted.
- The reason for the compressor to force operate at minimum 60 seconds is to allow the refrigerant oil run in a full cycle and return back to the outdoor unit.

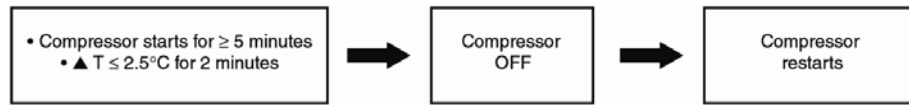
12.4.4. Freeze Prevention Control

- If the temperature of the indoor heat exchanger falls below 2°C continuously for 4 minutes or more, the compressor turns off. The fan speed setting remains the same.
- This phenomenon is to protect the indoor heat exchanger from freezing and to prevent higher volume of refrigerant in liquid form returning to the compressor.
- Compressor will restart again when the indoor heat exchanger temperature rises to 10°C (Recovery).
- Restart control (Time Delay Safety Control) will be applied in this Control if the recovery time is too short.



12.4.5. Compressor Reverse Rotation Protection Control

- If the compressor is operating continuously for 5 minutes or longer and the temperature difference between intake air and indoor heat exchanger is 2.5°C or less for continuous 2 minutes, compressor will stop and restart automatically.
- Time Delay Safety Control is activated before the compressor restart.



▲T = Intake air temperature - Indoor heat exchanger temperature

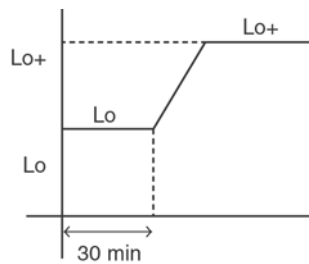
- This is to prevent compressor from rotate reversely when there is an instantaneous power failure.

12.4.6. Starting current Control

- When the compressor, outdoor fan motor and indoor fan motor are simultaneously started, the indoor fan motor will start to operate at 1.6 second later.
- The reason of the difference is to reduce the starting current flow.

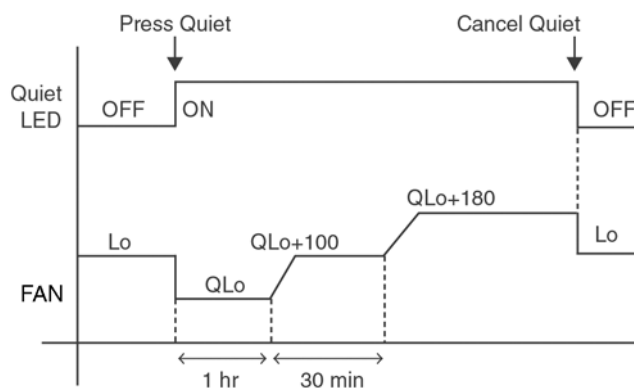
12.4.7. Dew Prevention Control

- Purpose is to prevent dew formation on indoor unit air discharge area.
- When room temperature is constant ($\pm 1^\circ\text{C}$) the following conditions occur for 30 minutes continuously, anti-dew formation will activate:
 - Remote Control setting temperature is less than 25°C.
 - Compressor is on.
 - Cooling operation mode.
 - Indoor Fan motor operate at Low fan speed or QLo.
- This control is cancelled immediately when above condition is changed.
- Dew prevention is control by:
 1. Increasing Air Flow Volume
 - a. Lo fan speed
 - Lo fan speed is changed to Lo+ after 30 min to prevent dew formation.



b. QLo fan speed

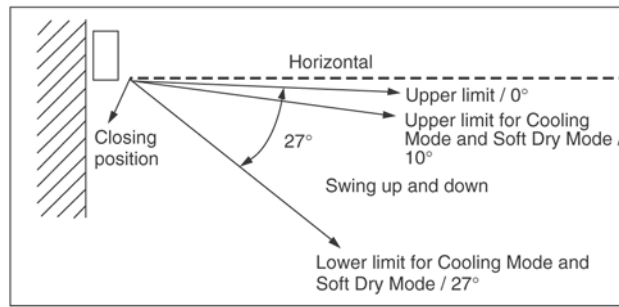
Dew formation may occurs at QLo cool, therefore QLo cool is operated only 1 hr 30 min (1 hr QLo, 30 min QLo +100 rpm). After that, it operates at QLo +180rpm (However Quiet LED remains on).



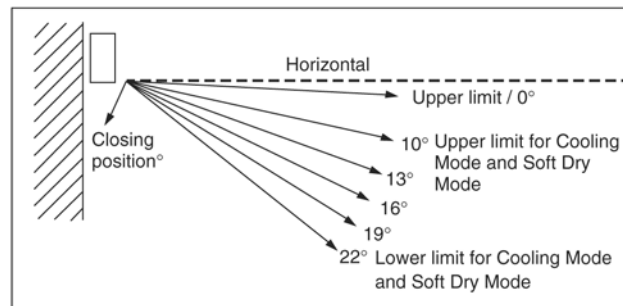
2. Narrowing

Vertical Airflow Direction

- During dew prevention control, Airflow Direction Auto-control angle change from 10° - 38° to 10° - 27° under Cooling and Soft Dry operation mode.



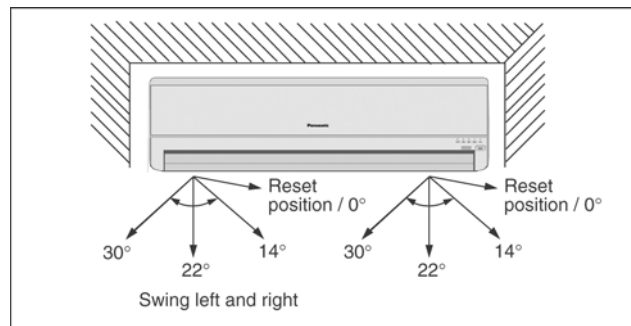
- During dew prevention control, Airflow Direction Manual control angle change from 10°, 14°, 18°, 22°, 27° to 10°, 13°, 16°, 19°, 22° under Cooling and Soft Dry operation mode.



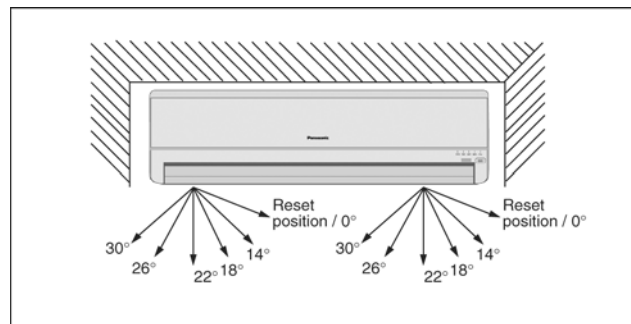
3. Narrowing

Horizontal Airflow Direction

- During dew prevention control, Airflow Direction Auto-control angle change from 0° - 44° to 14° - 30° under Cooling and Soft Dry operation mode.



- During dew prevention control, Airflow Direction Manual control angle change from 0°, 11°, 22°, 33°, 44° to 14°, 18°, 22°, 26°, 30° under Cooling and Soft Dry operation mode.



12.5. Indoor Fan Speed Control

- Indoor Fan Speed can be set using remote control.

12.5.1. Fan Speed Rotation Chart

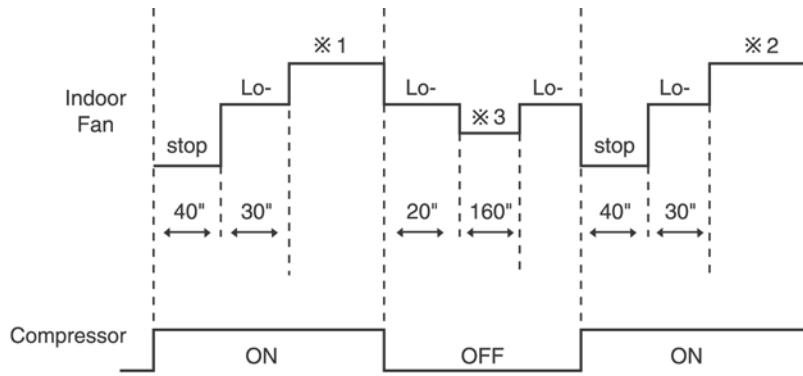
COOL/DRY	CS-C24GKV	CS-C18GKV
S Hi	1590	1420
Hi	1500	1360
Me	1390	1250
H Lo	1330	1220
C Lo	1240	1150
Lo-	1100	980
S Lo	860	780
Q Hi	1400	1260
Q Me	1290	1150
Q Lo	1140	1050

12.5.2. Automatic Fan Speed Control

- When set to Auto Fan Speed, the fan speed is adjusted between maximum and minimum setting as shown in the table.
 - Fan speed rotates in the range of Hi, Me and Lo-.
 - Deodorizing Control will be activated.

Tap		S Hi	Hi	Me	Lo+	CLo	Lo-	SLo	Stop
Cooling	Normal	Manual	Hi	<input type="radio"/>					
			Me		<input type="radio"/>				
			Lo			<input type="radio"/>			
	Auto		<input type="radio"/>	<input type="radio"/>			<input type="radio"/>	<input type="radio"/>	
Powerful	Manual	<input type="radio"/>							
	Auto	<input type="radio"/>							
Soft Dry	Manual						<input type="radio"/>	<input type="radio"/>	
	Auto						<input type="radio"/>	<input type="radio"/>	
Auto Mode judgement								<input type="radio"/>	
Cooling	Quiet	Manual	QHi	Hi-100					
			QMe		Me-100				
			QLo			cLo-100			
	Auto		Hi-100	Me-100			<input type="radio"/>	<input type="radio"/>	
Soft Dry	Quiet	Manual					<input type="radio"/>	<input type="radio"/>	
	Auto						<input type="radio"/>	<input type="radio"/>	

- Auto Fan Speed during Cooling operation:
 - Indoor fan will rotate alternately between off and on as shown in below diagram.
 - At the beginning of each compressor start operation, indoor fan will increase fan speed gradually for deodorizing purpose.
 - For the first time the compressor operate, indoor fan will be switched to Hi fan speed from Lo- after 70 seconds from the start of compressor. This cause the room temperature to achieve the setting temperature quickly.
 - During compressor stop, indoor fan will operate at Lo- for the beginning 20 seconds to prevent higher volume of refrigerant in liquid form returning to the compressor.
 - After the compressor at turn off condition for 3 minutes, indoor fan will start to operate at Lo- to circulate the air in the room.
This is to obtain the actual reading of the intake air temperature.
 - For the resume of compressor operation, indoor fan will operate at Me fan speed to provide comfort and lesser noise environment, after 70 seconds from the restart of compressor.



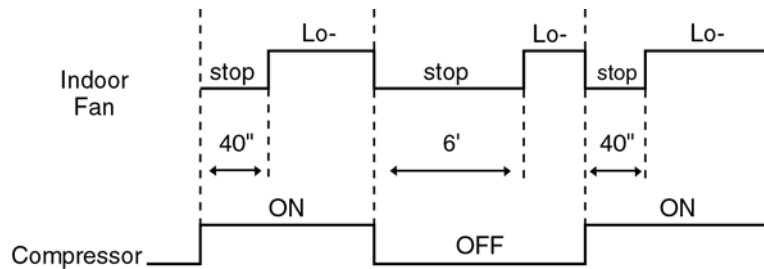
※ 1 Fan Speed is Hi until the compressor stops (when the room temperature reaches setting temperature).

※ 2 Fan Speed is Me after the compressor restarts.

※ 3 Variable rpm is equivalent to Lo- rpm.

• Auto Fan Speed during Soft Dry operation:

1. Indoor fan will rotate alternately between off and Lo-.
2. At the beginning of each compressor start operation, indoor fan will increase fan speed gradually for deodorizing purpose.
3. When compressor at turn off condition for 6 minutes, indoor fan will start fan speed at Lo- to circulate the air in the room. This is to obtain the actual reading of intake air temperature.



12.5.3. Manual Fan Speed Control

- Manual fan speed adjustment can be carried out by using the Fan Speed selection button at the remote control.
- There are 3 types of fan speed settings: Lo, Me, Hi.

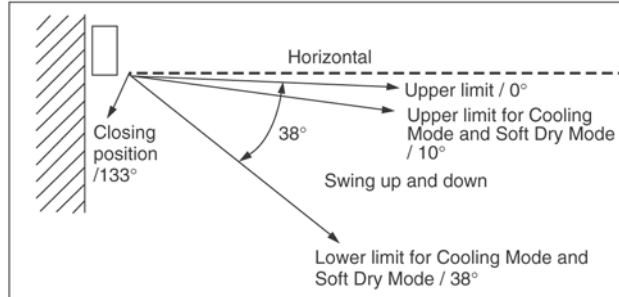
12.6. Outdoor Fan Speed Control

- There is only one speed for outdoor fan motor (C18GK).
- There is 2 speed for outdoor fan motor. Outdoor fan speed can be changed to Hi or Lo according to outdoor temperature.
- For Cooling or Soft Dry operation when outdoor temperature reaches to 31°C (Hi-speed), 29°C (Lo-speed).
- When the air conditioner is turned on, the compressor and the outdoor fan will operate simultaneously.
- Likewise, both compressor and outdoor fan will stop at the same time if the unit is turned off.

12.7. Vertical Airflow Direction Control

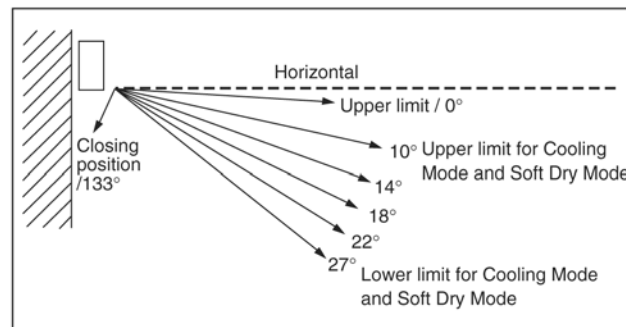
12.7.1. Auto Control

- When the vertical airflow direction is set to Auto using the remote control, the louver swings up and down as shown in the diagram.
- When stopped with remote control, the discharge vent is reset, and stop at the closing position.
- During Cooling operation or Soft Dry operation, indoor fan motor may stop to rotate at certain periods. At that condition, the louver will stop swinging and rest at the upper limit.



12.7.2. Manual Control

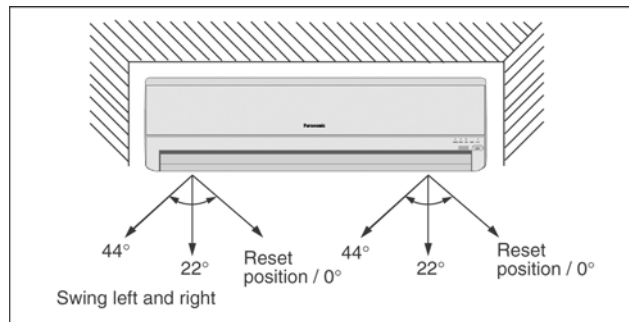
- When the vertical airflow direction is set to Manual using the remote control, the automatic airflow is released and the airflow direction louver move up and down in the range shown in the diagram.
- The louver can be adjusted by pressing the button to the desired louver position.
- When stopped with remote control, the discharge vent is reset, and stop at the closing position.



12.8. Horizontal Airflow Direction Control

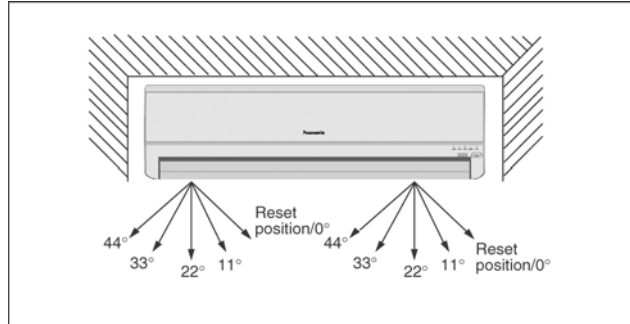
12.8.1. Auto Control

- When the horizontal airflow direction is set to Auto using the remote control, the vanes swings left and right as shown in the diagram.
- When stopped with remote control, the discharge vane is reset, and stop at the reset position.
- During Cooling operation or Soft Dry operation, indoor fan motor may stop to rotate at certain periods. At that condition, the vane will stop swinging and rest at 22° angle.



12.8.2. Manual Control

- When the horizontal airflow direction is set to Manual using the remote control, the automatic airflow is released and the airflow direction vane move left and right in the range shown in the diagram.
The louver can be adjusted by pressing the button to the desired vane position.
- When stopped with remote control, the vanes is reset, and stopped at reset position.



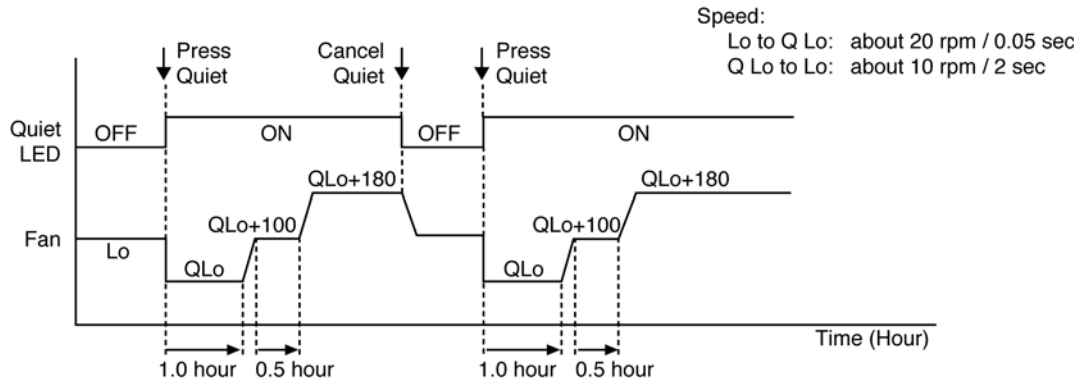
12.9. Powerful Operation

- The Powerful operation is to achieve the setting temperature quickly.
- When Powerful operation is set, the setting temperature will be automatically decreased 3°C internally against the present setting temperature (Lower temperature limit: 16°C).
- This operation automatically will be running under SHi Fan Speed (Cooling).
- Vertical Airflow Direction:-
 - In "Manual" setting, the vane will automatically shift down 10° lower than previous setting.
 - In "Auto" setting, the vane will automatically swing up and down. However the lower limit will be shifted 10° downward.
- Powerful operation stops when:-
 - Powerful operation has operate for 15 minutes.
 - Powerful button is pressed again.
 - Quiet button is pressed.
 - Stopped by OFF/ON operation button.
 - Timer OFF activates.
 - Operation mode is changed.

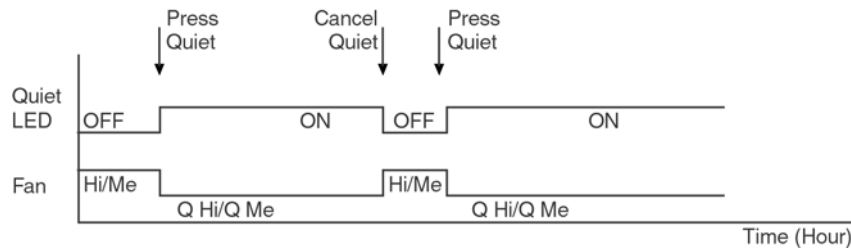
12.10. Quiet Operation

(For Cooling Operation or cooling region of Soft Dry Operation)

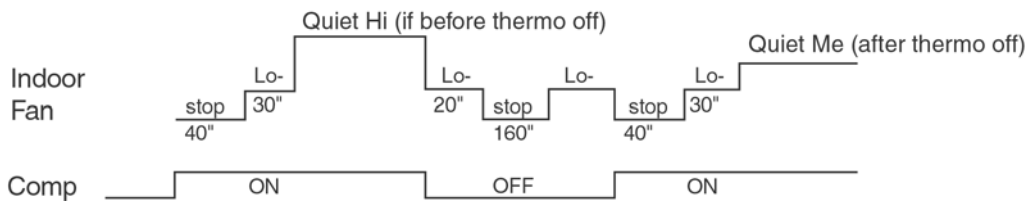
- The Quiet operation is to provide quiet/cooling operation condition compare to normal operation.
- Once the Quiet Mode is set at the remote control, the Quiet Mode LED illuminated. The sound level will reduce around 2 dB (A) for Lo fan speed or 3 dB(A) for Hi/Me fan speed against the present operation sound level.
- Manual Fan Speed:-
 - RPM control during Lo cool



- RPM control during Hi & Me cool



- Auto Fan Speed:-



- Quiet operation stops when:-
 - Quiet button is pressed again.
 - Stopped by OFF/ON operation button.
 - Timer OFF activates.
 - Powerful button is pressed.

12.11. Timer Control

12.11.1. ON Timer

- When the ON Timer is set by using the remote control, the unit will start to operate slightly before the set time, so that the room will reach nearly to the set temperature by the set time.
- For Cooling and Soft Dry operation, the operation will start 15 minutes before the set time.
- For Automatic operation, the indoor fan will operate at SLo speed for 20 seconds, 15 minutes before the set time to detect the intake air temperature to determine the operation mode. The operation indication lamp will blink at this time.

12.11.2. OFF Timer

- When the OFF Timer is set by using the remote control, the unit will stop operate according to the desired setting.

Notes

1. By pressing ON/OFF operation button, the ON Timer or OFF Timer setting will not be cancelled.
2. To cancel the previous timer setting, press CANCEL button.
3. To activate the previous timer setting, press SET button.
4. If main power supply is switched off, the Timer setting will be cancelled.

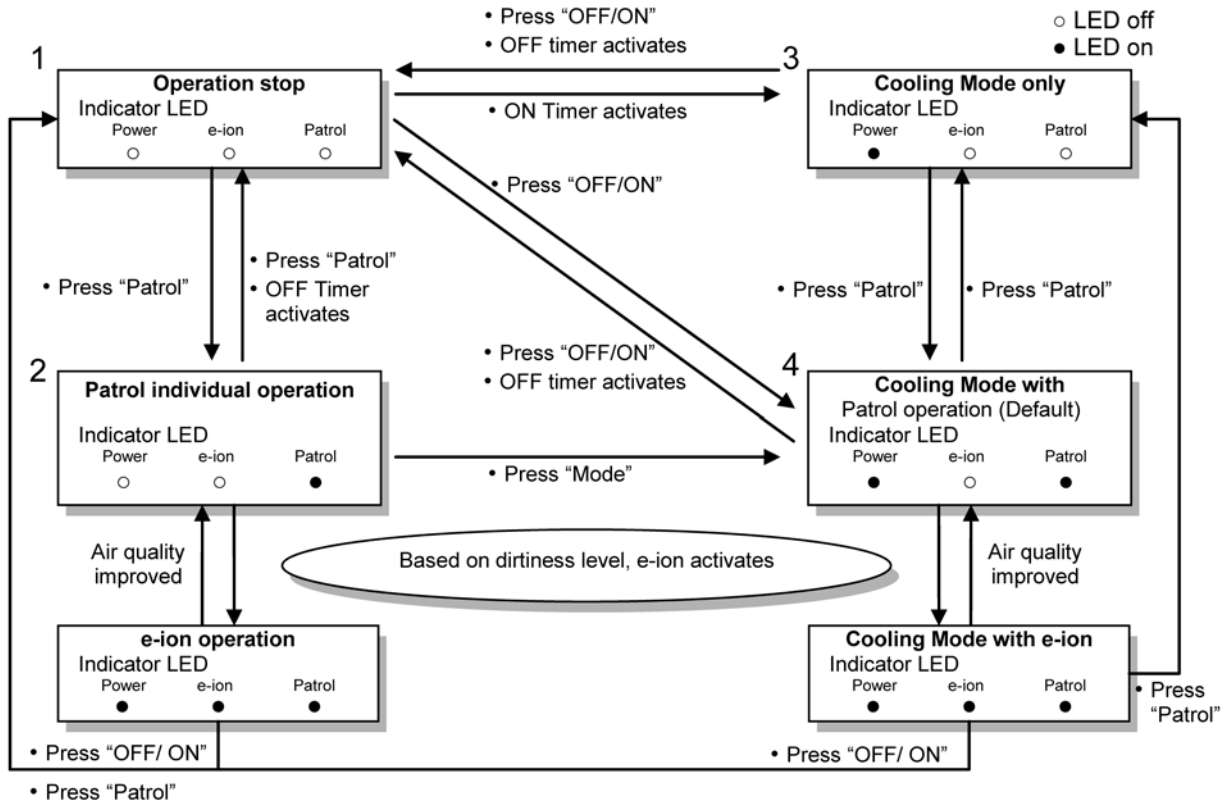
12.12. Random Auto Restart Control

- If there is a power failure during operation, the air conditioner will automatically restart after 3 to 4 minutes when the power is resumed.
- It will start with previous operation mode and airflow direction.
- If there are more than one air conditioner unit in operation and power failure occur, restart time for each unit to operate will be decided randomly using 4 parameters:- intake air temperature, setting temperature, fan speed and air swing louver position.
- This Random Auto Restart Control is not available when Timer is set.

12.13. Remote Control Signal Receiving Sound

- Long beep sound will be heard when:
 - Stopping the air conditioner using ON/OFF switch.
 - Disable e-ion and Pastrol operation.
- Short beep sound will be heard for others setting.

12.14. Patrol Operation



1. Purpose

To monitor air dirtiness level by using gas sensor and activates e-ion operation whenever air is dirty.

2. Control Condition

a. Patrol operation start condition

- When the unit operation is started with "OFF/ON" button.
- When the unit stops, "Patrol" button is pressed, Patrol individual operation will start.
- During cooling only operation, "Patrol" button is pressed.

b. Patrol operation stop condition

When any of the following condition is fulfilled:

- When "OFF/ON" button is pressed.
- During any operation with Patrol, "Patrol" button is pressed again.
- When "e-ion" button is pressed.
- When OFF Timer activates.

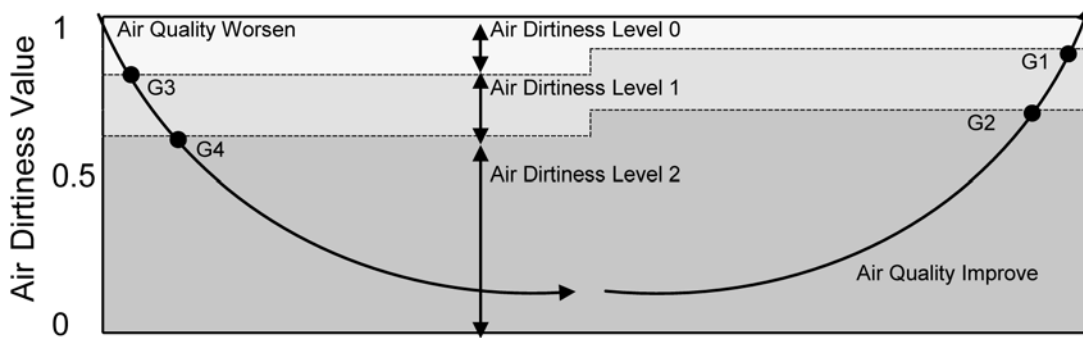
c. Patrol operation disable

- To disable the Patrol Operation during unit start (default) with "OFF/ON" button, press "Patrol" button and hold for 5 seconds, then release.
- To disable the Patrol Operation, press "Patrol" button and hold for 15 seconds, then release.

3. Control Content

a. Gas Sensor Control

- First 2 minutes from Patrol function activates is stabilization time, during stabilization time, no air dirtiness level is monitored. The Air Dirtiness level is set to level 2.
- After that, gas sensor starts to record the resistance value at fixed interval. Higher resistance value indicates cleaner air.
- The air dirtiness level is monitored by comparing the current resistance value with maximum resistance value from time to time to get the Air Dirtiness Value.
- There are 3 air dirtiness level, based on the Air Dirtiness Value:
 - Air Dirtiness level 0: Clean
 - Air Dirtiness level 1: Moderate
 - Air Dirtiness level 2: Contaminated



- Dirtiness level sensitivity adjustment.

It is possible to change the gas sensor sensitivity, where the Threshold value (G1 ~ G4) will be shifted accordingly:

 - Press and release "SET" button.
 - Press "Timer increment" / "Timer decrement" button to select sensitivity. (Low <--> Standard (Default) <--> High)
 - Confirm setting by pressing "Timer Set" button. LCD returned to original display after 2 seconds.
 - LCD returned to original display if remote control does not operate for 30 seconds.

b. e-ion Control

- When dirtiness level is 1 or 2, e-ion operation starts.
- If dirtiness level improves from level 2 to level 1, the unit carries out level change after 60 seconds.
- When dirtiness level returns to level 0 continuously for 10 minutes or more, e-ion operation stops.

Dirtiness Level Shift

- For Auto Fan Speed, the fan speed increased based on dirtiness level:

	Dirtiness level	rpm shift	
		Patrol individual operation	Combine operation
e-ion ON	Dirtiness level 0	No change	No change
	Dirtiness level 1	+ 20	+ 20
	Dirtiness level 2	+ 40	+ 40

c. Indoor Fan Control

- During any operation mode combines with Patrol operation, fan speed follows respective operation mode.
- During Patrol individual operation if e-ion starts, only Auto Fan Speed and no Powerful operation is allowed. Even if “Fan Speed” button is pressed, no signal is sent to air conditioner, and no change on LCD display.
- During Patrol individual operation if e-ion stops, Indoor Fan stop operation.

d. Airflow direction (Horizontal, Vertical) Control

- During any operation mode combines with Patrol operation, air flow direction follows respective operation mode.
- During Patrol individual operation if e-ion starts, only Auto Air Swing is allowed. Even if “Air Swing” button is pressed, no signal is sent to air conditioner, and no change on LCD display.
- During Patrol individual operation if e-ion stops, Airflow direction louver closed.

e. Indicator

- When Patrol operation starts, Patrol Sensor indicator ON.
- When e-ion operation starts based on dirtiness level, e-ion indicator ON.

f. Remote Control Receiving Sound

- Normal Operation → Patrol Mode : Beep
- Patrol Mode → Stop : Long Beep
- Patrol Mode → Normal Operation : Beep
- Stop → Patrol : Beep

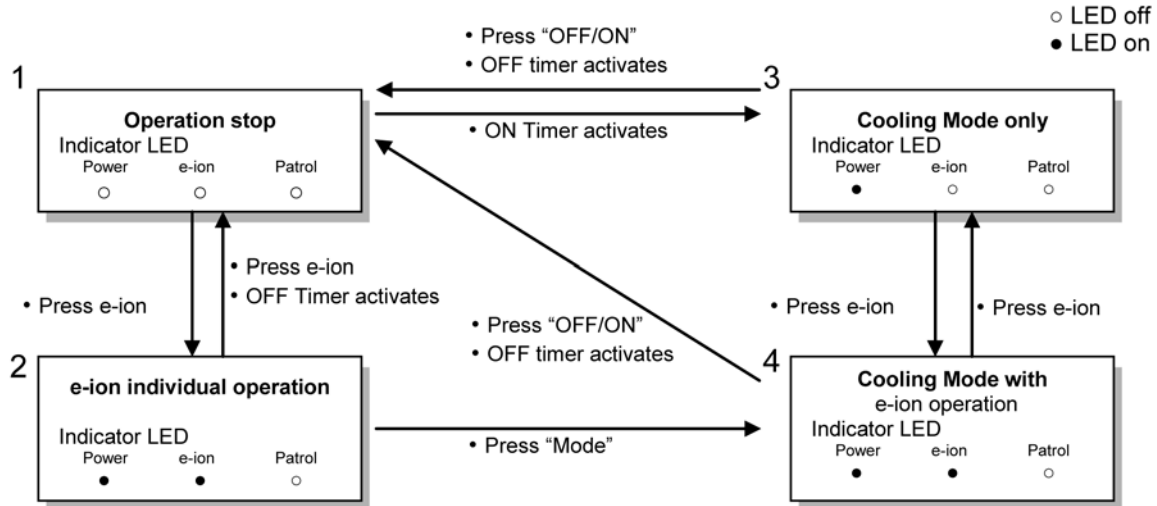
g. Timer Control

- When ON timer activates when unit stops, previous operation resumes without Patrol operation.
- When ON timer activates during any operation, no change and carry on current operation.
- When OFF timer activates during any operation, all operation stops.

h. Power failure

- During Patrol individual operation, if power failure occurs, after power resumes, Patrol individual operation resumes immediately.
- During combination operation, if power failure occurs, after power resumes combination operation resume immediately.

12.15. e-ion Operation



1. Purpose

This operation provides clean air by producing negative ions to attract dust captured at the positively charged e-ion filters.

2. Control Condition

a. e-ion operation start condition

- During unit running at any operation mode, if “e-ion” button is pressed, combination operation (operation mode + e-ion operation) starts.
- During unit is OFF, if “e-ion” button is pressed, e-ion individual operation starts.

b. e-ion operation stop condition

- When “OFF/ON” button is pressed to stop the operation.
- When “e-ion” button is pressed again.
- When “Patrol” button is pressed.
- When OFF Timer activates.

c. e-ion operation pause condition

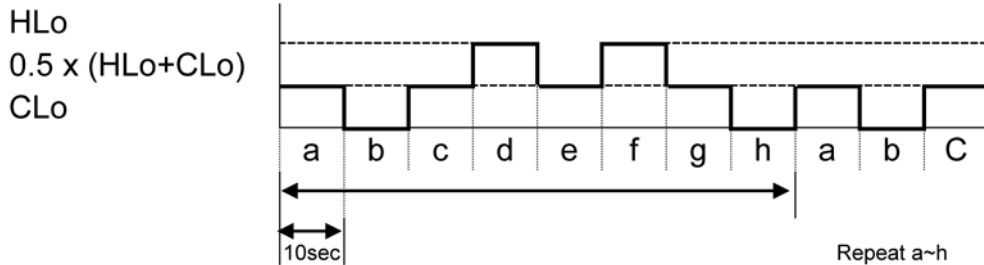
- When indoor fan stop (during deice, odor cut control, thermostat off, etc.). e-ion operation resume after indoor fan restarts.
- When indoor intake temperature $\geq 40^{\circ}\text{C}$. e-ion operation resume after indoor intake temperature $< 40^{\circ}\text{C}$ continuously for 30 minutes.

3. Control Content

a. Indoor fan control

- During any operation mode combines with e-ion operation, fan speed follows respective operation mode.
- During e-ion individual operation - only Auto Fan Speed and no Powerful operation is allowed. Even if Fan Speed button is pressed, no signal is sent to air conditioner, and no change on LCD display.

Auto Fan Speed for e-ion operation switches between HLo and CLo at pattern below:



b. Airflow direction control

- During any operation mode combines with e-ion operation, air flow direction follows respective operation mode.
- During e-ion individual operation, only Auto Air Swing is allowed. Even if Air Swing button is pressed, no signal is sent to air conditioner, and no change on LCD display.

c. Timer control

- When ON timer activates when unit stops, previous operation resumes without e-ion operation.
- When ON timer activates during any operation, no change and carry on current operation.
- When OFF timer activates during any operation, all operation stops.

d. Indicator

- When e-ion operation starts, e-ion indicator ON.

e. e-ion Check Mode

- To check if e-ion is malfunctioning, during e-ion operation press "e-ion" button for 15 seconds and release to enter e-ion Check Mode and supplies power to the e-ion AIR PURIFYING SYSTEM.
- If abnormal discharge is detected at filter (short-circuited) due to water or dust adhesion, etc., the e-ion indicator blinks immediately.

f. Power failure

- During e-ion individual operation, if power failure occurs, after power resumes, e-ion individual operation resumes immediately.
- During combination operation, if power failure occurs, after power resumes, combination operation resume immediately.

g. Error Detection Control

When e-ion indicator blink, it indicates error listed below:

a. e-ion AIR PURIFYING SYSTEM main connector to PCB is open:

Judgment Method

- During e-ion operation (include during Patrol operation), e-ion AIR PURIFYING SYSTEM main connector to PCB is opened.

Troubleshooting Methods

- Connect the connector or stop operation (include during Patrol operation) to cancel the blinking.

b. Abnormal Discharge

Judgment Method

- During e-ion operation, when feedback voltage is-Lo (at micro controller) is detected, it is judged abnormal discharge and stops power supplies to the e-ion AIR PURIFYING SYSTEM.
- The unit retries after 30 minutes and repeat for 24 times. (not applicable for e-ion Check Mode)

Troubleshooting Method

- Press "e-ion" button or "OFF/ON" button to stop the operation and check the e-ion AIR PURIFYING SYSTEM main connector to PCB.
- After that, press "e-ion" button again to confirm the e-ion indicator not blinking.
- The 24 times counter will be clear after 10 minutes of normal operation or when operation stops.

Error Reset Method

- Press "OFF/ON" button to OFF the operation.
- Press AUTO OFF/ON button at indoor unit to OFF the operation.
- OFF Timer activates.
- Press "e-ion" button during e-ion individual mode.
- Power supply reset.

c. e-ion breakdown

Judgment Method

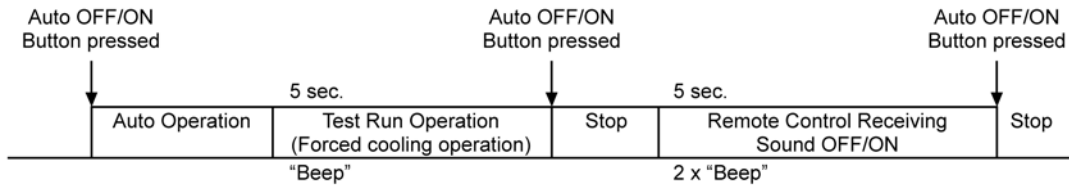
- When hi-feedback voltage (at micro controller) supplied to filter during e-ion stop, due to PCB or filter's high voltage power supply damage.
- Operations except e-ion continue. Both Timer indicator and e-ion indicator blinks.

Troubleshooting Method

- Press "e-ion" button or "OFF/ON" button to stop the operation.
- Change main circuit board or filter's high voltage power supply.
- When lo-feedback voltage supplied to e-ion AIR PURIFYING SYSTEM during e-ion operation, e-ion indicator and Timer indicator stop blinking.

13 Servicing Mode

13.1. Auto OFF/ON Button



1. AUTO OPERATION MODE

The Auto operation will be activated immediately once the Auto OFF/ON button is pressed. This operation can be used to operate air conditioner with limited function if remote control is misplaced or malfunction.

2. TEST RUN OPERATION (FOR PUMP DOWN/SERVICING PURPOSE)

The Test Run operation will be activated if the Auto OFF/ON button is pressed continuously for more than 5 seconds. A “beep” sound will occur at the fifth seconds, in order to identify the starting of Test Run operation.

3. REMOTE CONTROL RECEIVING SOUND OFF/ON MODE

The Remote Control Receiving Sound OFF/ON operation will be activated if (within 20 seconds of Test Run Operation) the Auto OFF/ON button is pressed for more than 5 seconds. 2 “beep” sound will occur at to identify the starting of Remote Control Receiving Sound Off/On Mode.

Press “Auto OFF/ON button” to toggle remote control receiving sound.

- Short “beep”: Turn ON remote control receiving sound.
- Long “beep”: Turn OFF remote control receiving sound.

After Auto OFF/ON Button is pressed, the 20 seconds counter for Remote Control Receiving Sound OFF/ON Mode is restarted.

13.2. Select Remote Control Transmission Code

- There are 4 type of remote control transmission code could be selected and stored in EEPROM of indoor unit. The indoor unit will only operate when received signal with same transmission code from remote control. This could prevent signal interference when there are 2 or more indoor unit installed nearby together.
- To change remote control transmission code, short or open jumpers at the remote control printed circuit board.



Remote Control Printed Circuit Board		
Jumper A (J-A)	Jumper B (J-B)	Remote Control No.
Short	Open	A (Default)
Open	Open	B
Short	Short	C
Open	Short	D

- During Remote Control Receiving Sound OFF/ON Mode, press any button at remote control to transmit and store the desired transmission code to the EEPROM.

13.3. Remote Control Button

13.3.1. SET BUTTON

- To check current remote control transmission code.
 - Press for more than 10 seconds.
- To change the air quality sensor sensitivity:
 - Press and release with pointer.
 - Press the Timer Decrement button to select sensitivity:
 1. Low Sensitivity
 2. Standard (Default)
 3. Hi Sensitivity
 - Confirm setting by pressing Timer Set button, a “Beep” sound will be heard. LCD returns to original display after 2 seconds.
 - LCD returns to original display if remote control does not operate for 30 seconds.

13.3.2. CLOCK BUTTON

- To change the remote control's time format.
 - Press for more than 5 seconds.

13.3.3. RESET (RC)

- To clear and restore the remote control setting to factory default.
 - Press once to clear the memory.

13.3.4. TIMER ▲

- To change indoor unit indicator's LED intensity.
 - Press continuously for 5 seconds.

13.3.5. TIMER ▼

- To change remote control display from Degree Celsius to Degree Fahrenheit.
 - Press continuously for 10 seconds.

14 Troubleshooting Guide

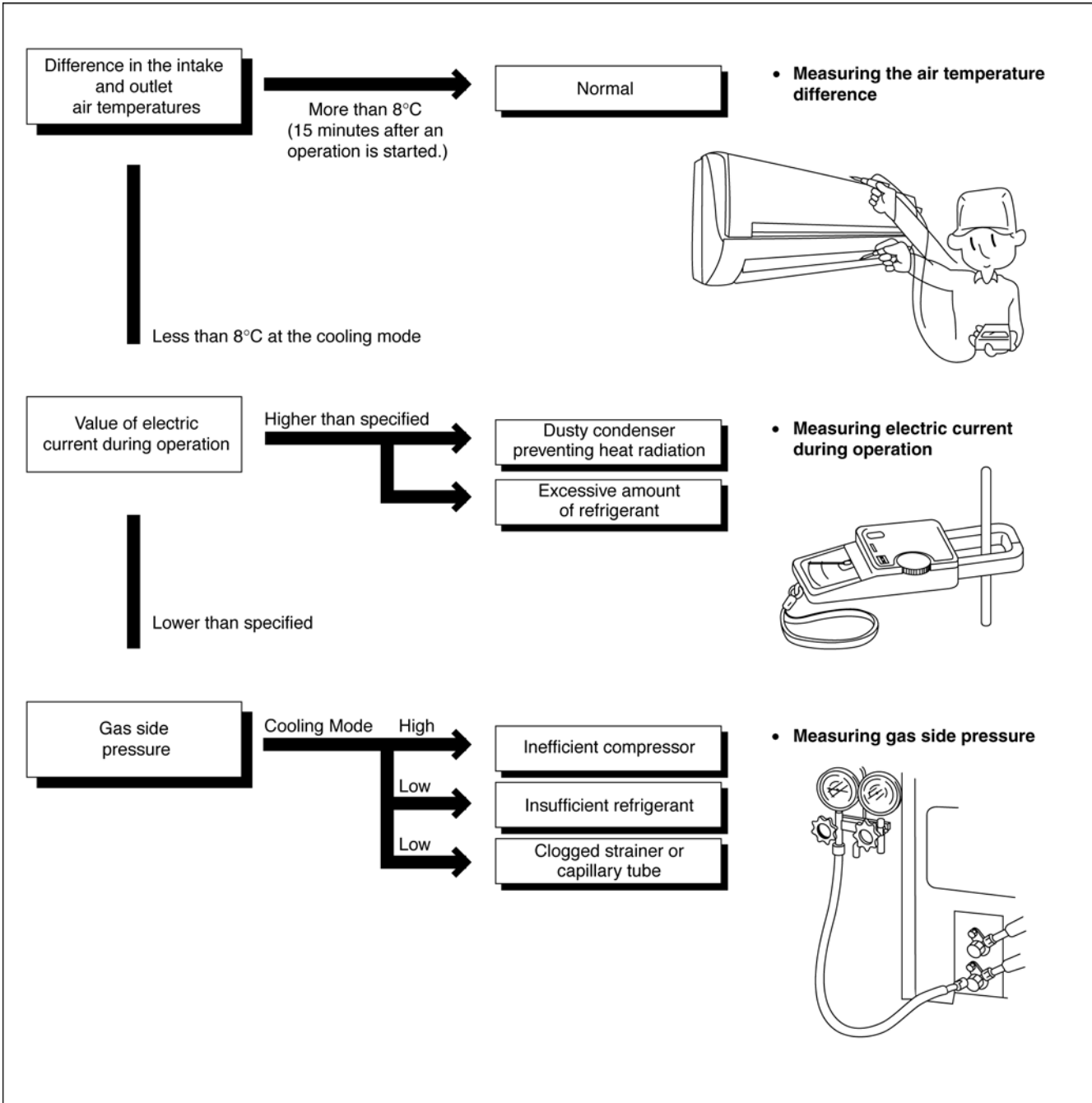
14.1. Refrigeration cycle system

In order to diagnose malfunctions, make sure that there are no electrical problems before inspecting the refrigeration cycle. Such problems include insufficient insulation, problem with the power source, malfunction of a compressor and a fan. The normal outlet air temperature and pressure of the refrigeration cycle depends on various conditions, the standard values for them are shown in the table to the right.

Normal Pressure and Outlet Air Temperature (Standard)

	Gas pressure Mpa (kg/cm ² G)	Outlet air temperature (°C)
Cooling Mode	0.4 ~ 0.6 (4 ~ 6)	12 ~ 16

* Condition: Indoor fan speed; High
Outdoor temperature: 35°C



14.1.1. Relationship between the condition of the air conditioner and pressure and electric current

Condition of the air conditioner	Cooling Mode		
	Low Pressure	High Pressure	Electric current during operation
Insufficient refrigerant (gas leakage)	↘	↘	↘
Clogged capillary tube or Strainer	↘	↘	↘
Short circuit in the indoor unit	↘	↘	↘
Heat radiation deficiency of the outdoor unit	↗	↗	↗
Inefficient compression	↗	↘	↘

- Carry out the measurements of pressure, electric current, and temperature fifteen minutes after an operation is started.

14.1.2. Diagnosis methods of a malfunction of a compressor

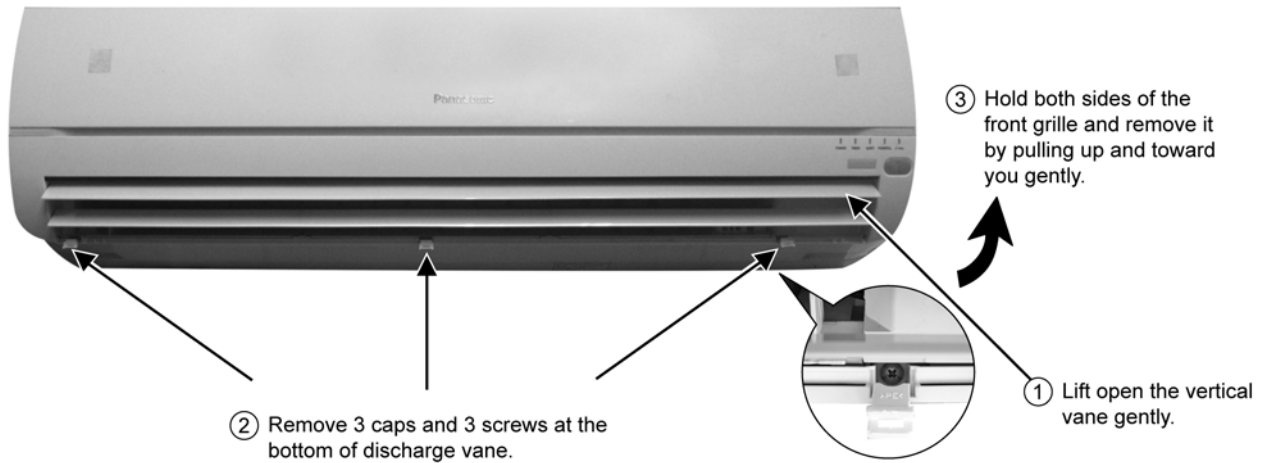
Nature of fault	Symptom
Insufficient compressing of a compressor	<ul style="list-style-type: none"> • Electric current during operation becomes approximately 20% lower than the normal value. • The discharge tube of the compressor becomes abnormally hot (normally 70 to 90°C). • The difference between high pressure and low pressure becomes almost zero.
Locked compressor	<ul style="list-style-type: none"> • Electric current reaches a high level abnormally, and the value exceeds the limit of an ammeter. In some cases, a breaker turns off. • The compressor has a humming sound.

15 Disassembly and Assembly Instructions

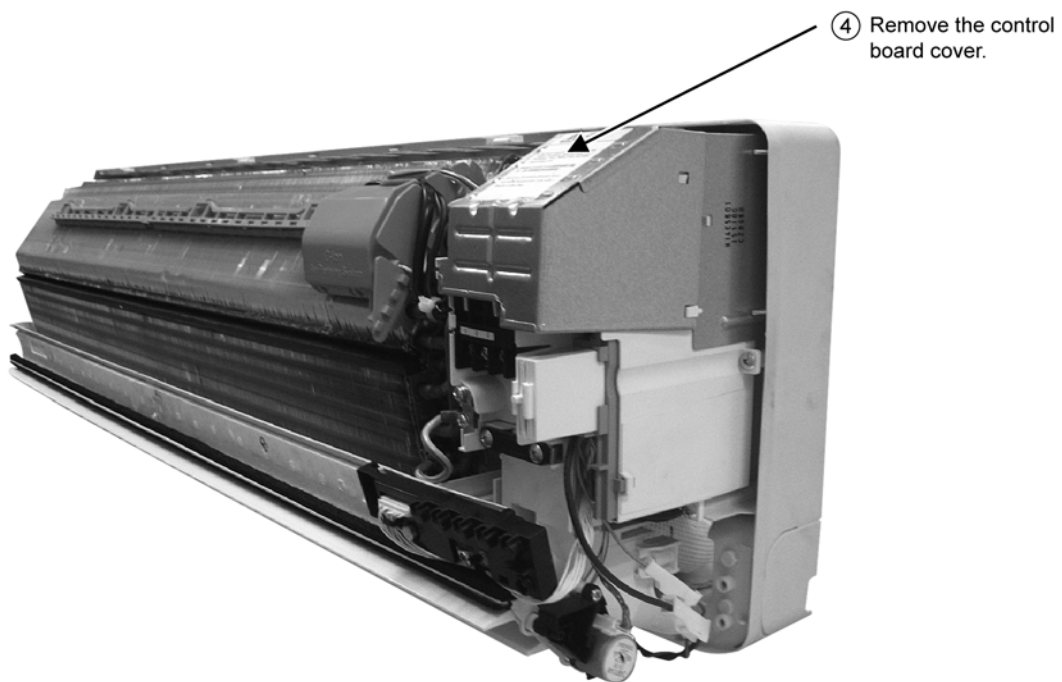
WARNING

- Cautions! When handling electronic controller, be careful of electrostatic discharge.
- Be sure to return the wiring to its original position.
- There are many high voltage components within the heat sink cover so never touch the interior during operation. Wait at least two minutes after power has been turned off.

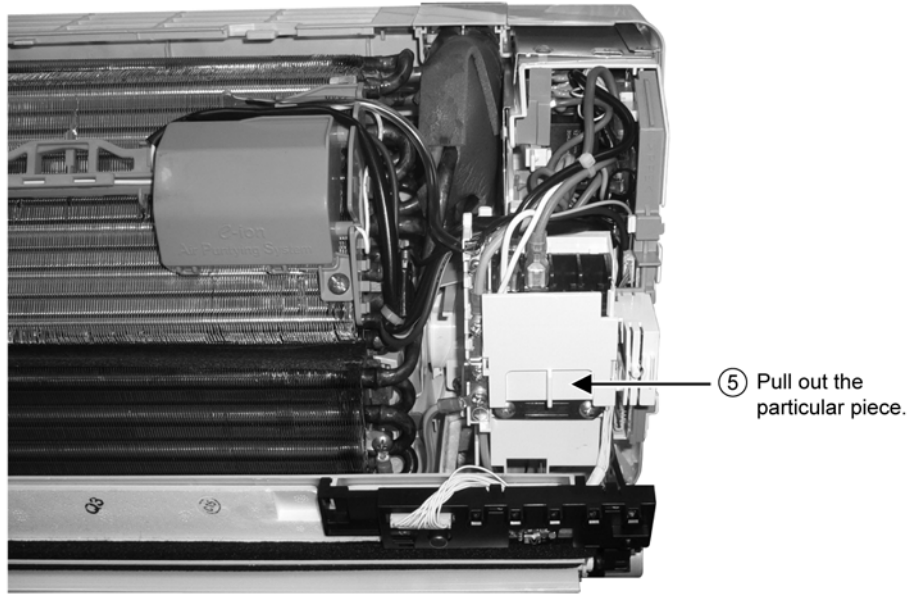
15.1. Indoor Electronic Controllers and Control Board Removal Procedures



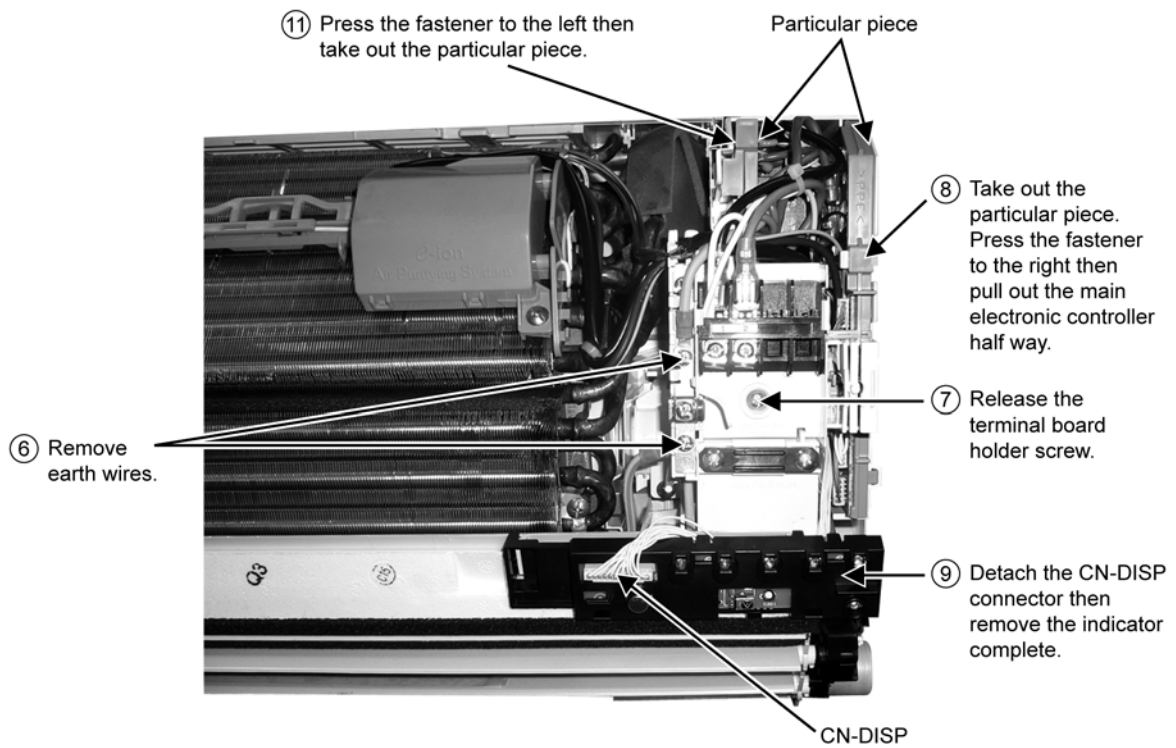
(Fig.1)



(Fig.2)

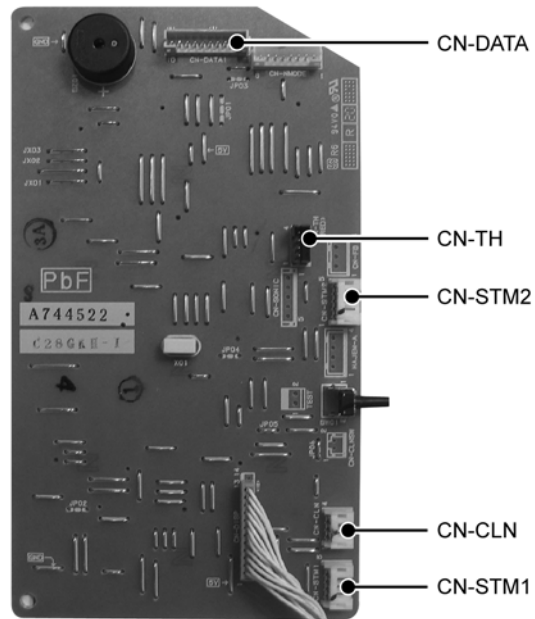


(Fig.3)

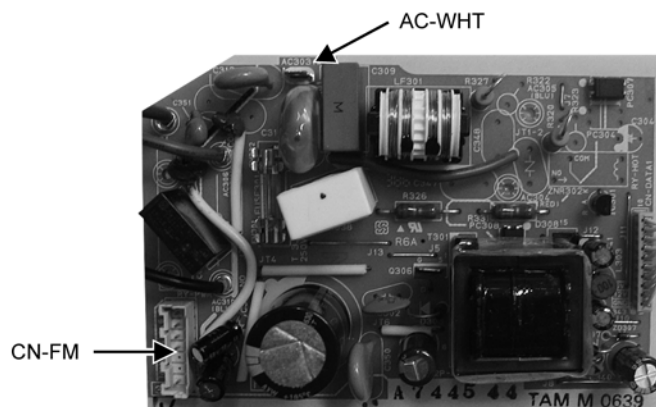


(Fig.4)

- ⑩ Detach 5 connectors as labeled from the electronic controller. Then pull out slowly while pressing the fastener to the right.

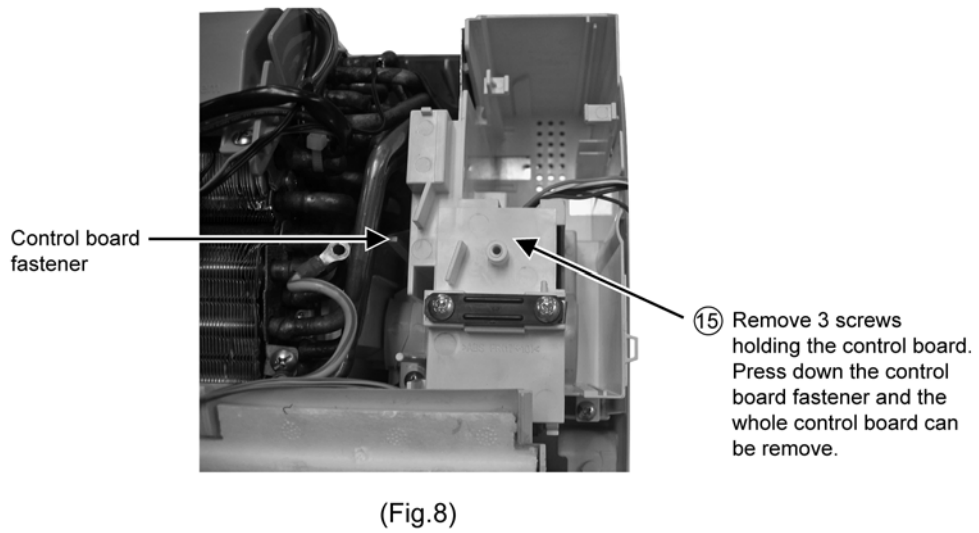
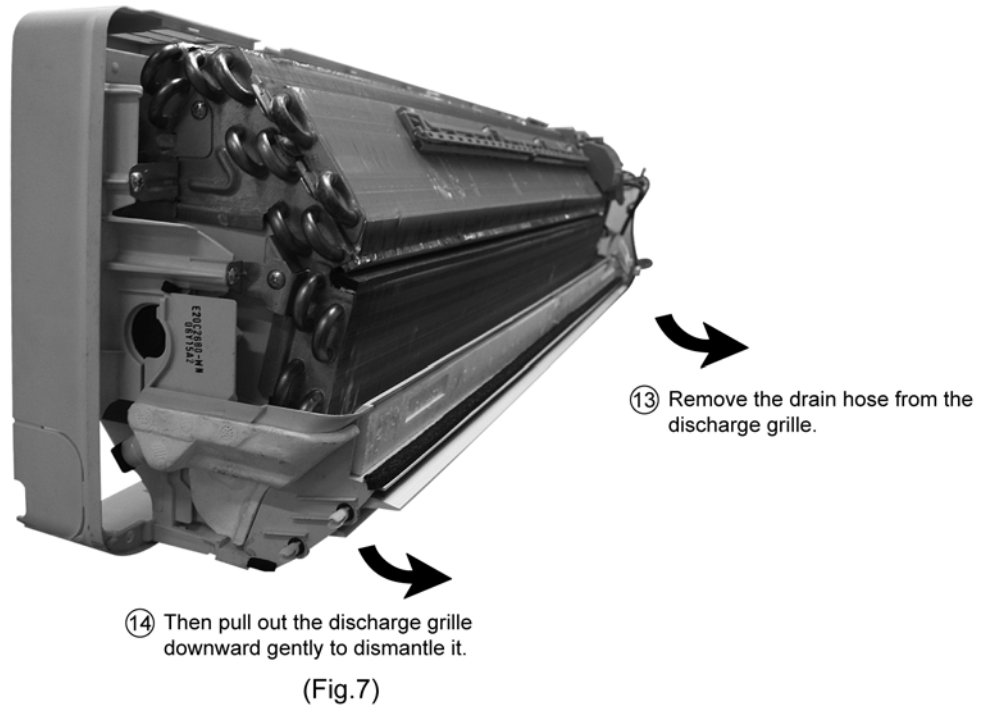


(Fig.5)

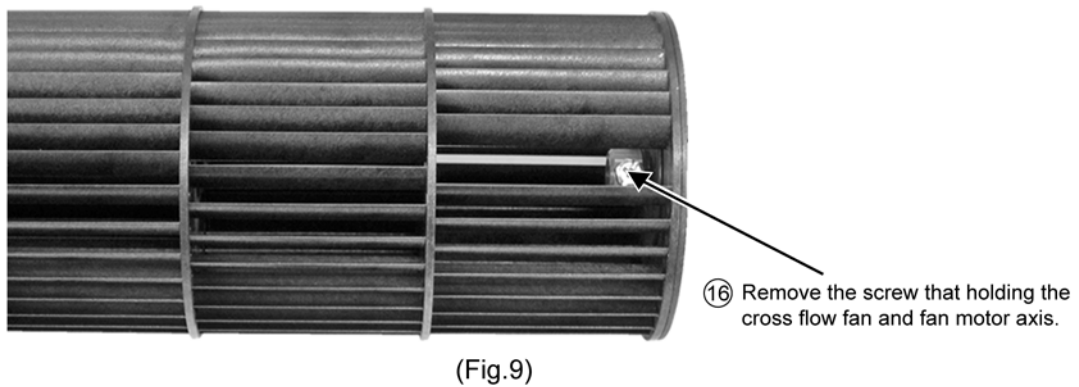


(Fig.6)

- ⑫ Detach the CN-FM connector from the electronic controller. Then, pull it slowly while pressing the fastener to the left.

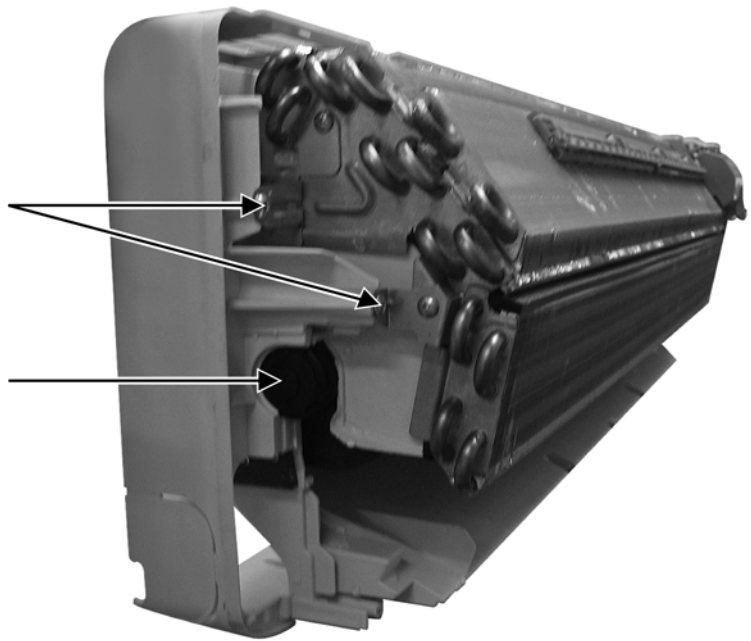


15.2. Indoor Fan Motor and Cross Flow Fan Removal Procedures



⑱ Remove the screw from the evaporator.

⑰ Remove the bearing by pulling it out gently.



(Fig.10)

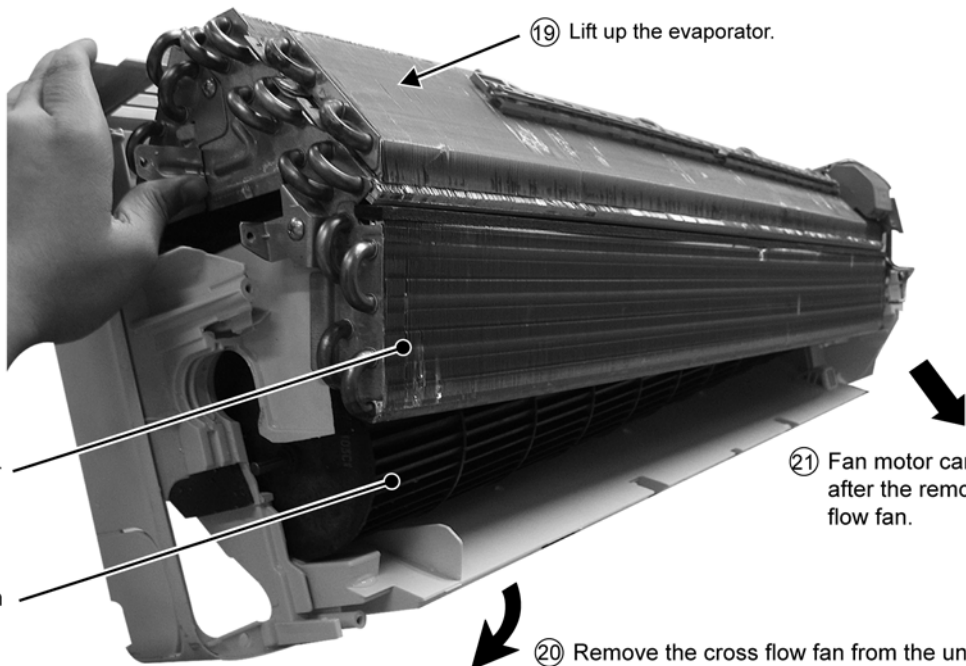
⑲ Lift up the evaporator.

Evaporator

Cross flow fan

㉑ Fan motor can be removed after the removal of cross flow fan.

㉒ Remove the cross flow fan from the unit by pulling it to the left and downward.

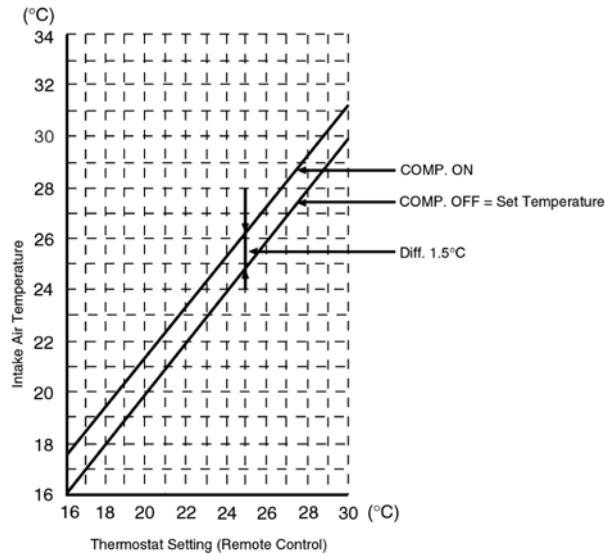


(Fig.11)

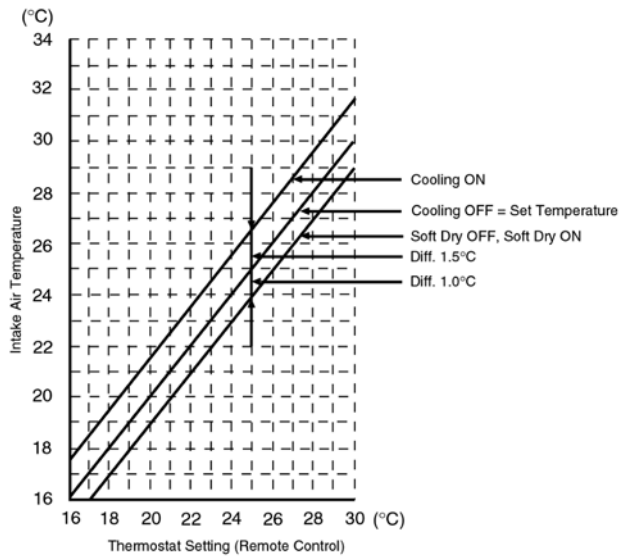
16 Technical Data

16.1. Thermostat Characteristics

Cooling



Soft Dry



16.2. Operation Characteristics

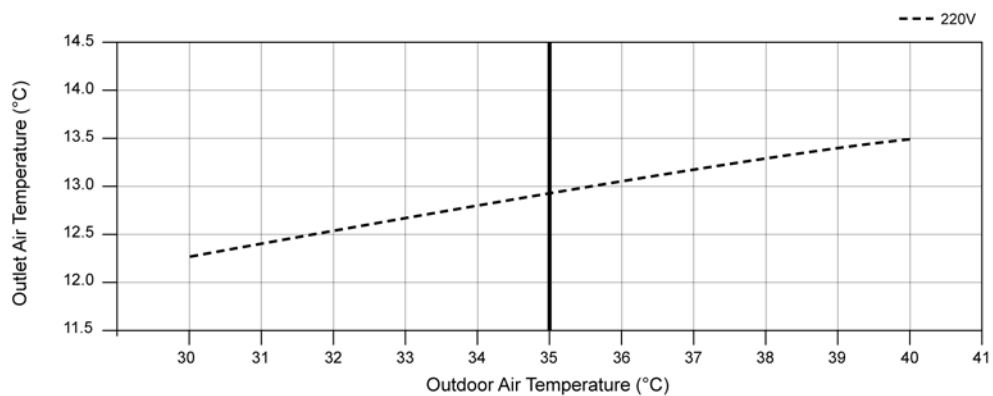
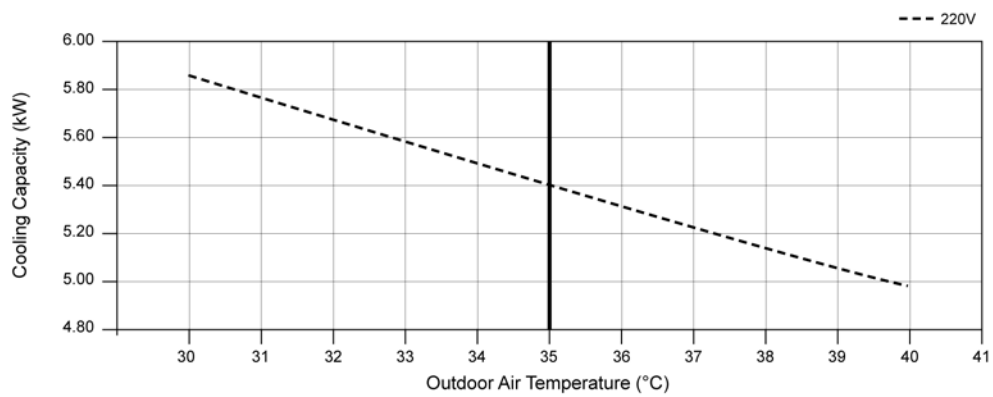
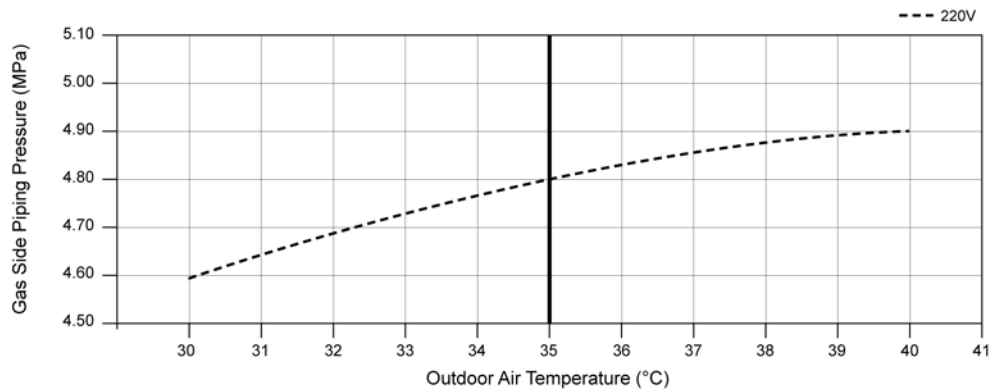
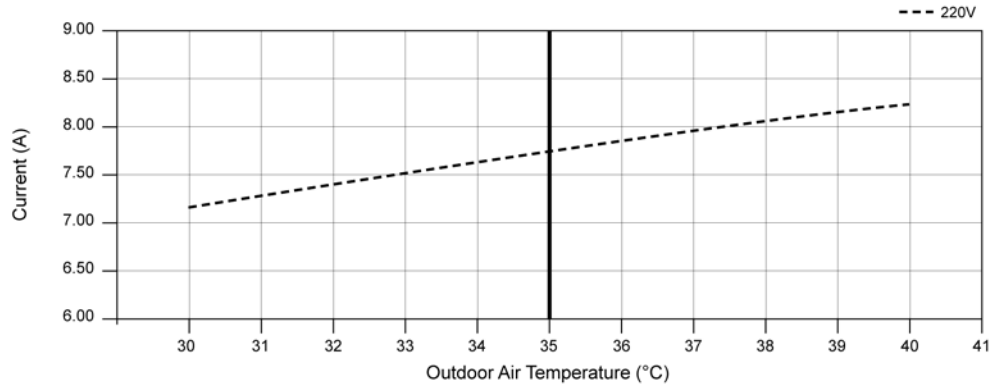
16.2.1. CS-C18GKV CU-C18GKV

● Cooling Characteristic

Room temperature : 27°C (DBT), 19°C (WBT)

Operation condition : High fan speed

Piping length : 5m

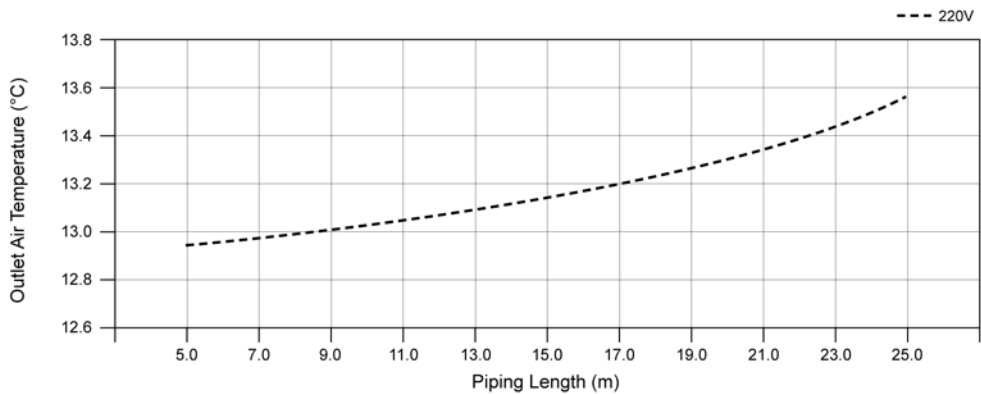
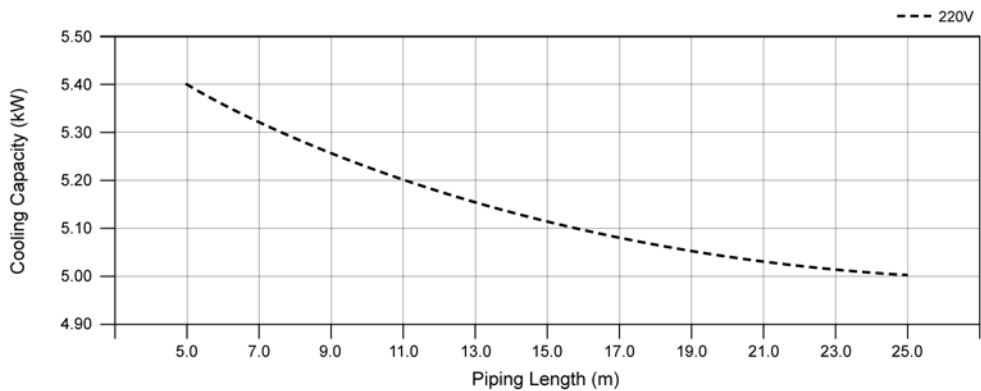
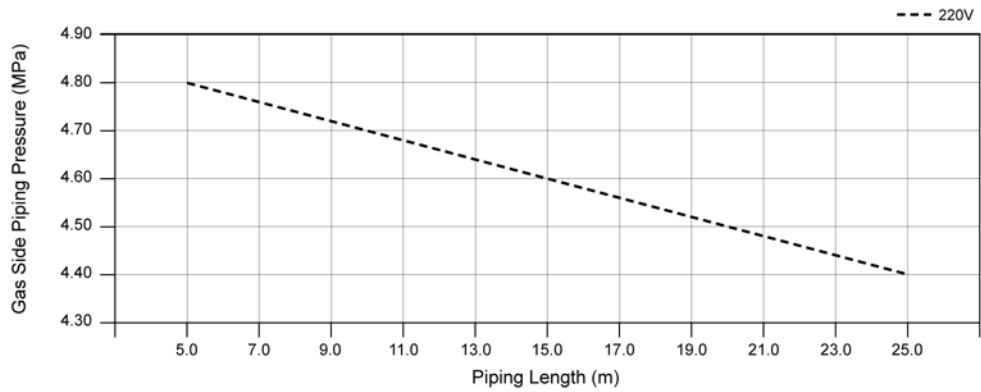
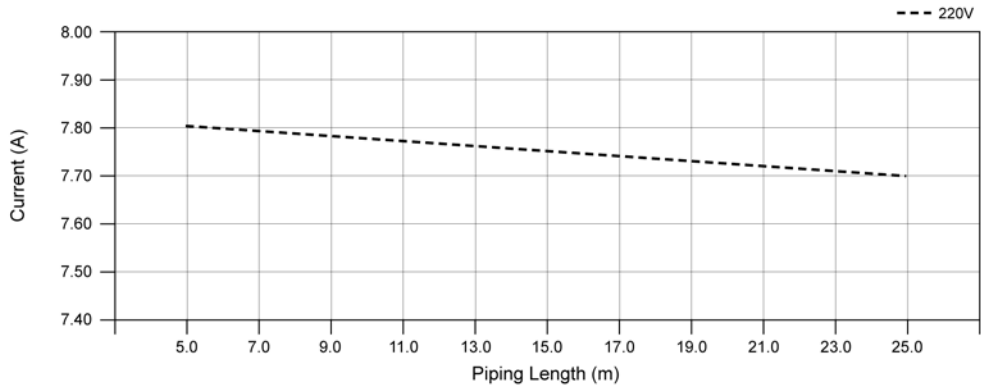


● Piping Length Characteristic

Room temperature : 27°C (DBT), 19°C (WBT)

Operation condition : High fan speed

Outdoor temperature: 35/24°C



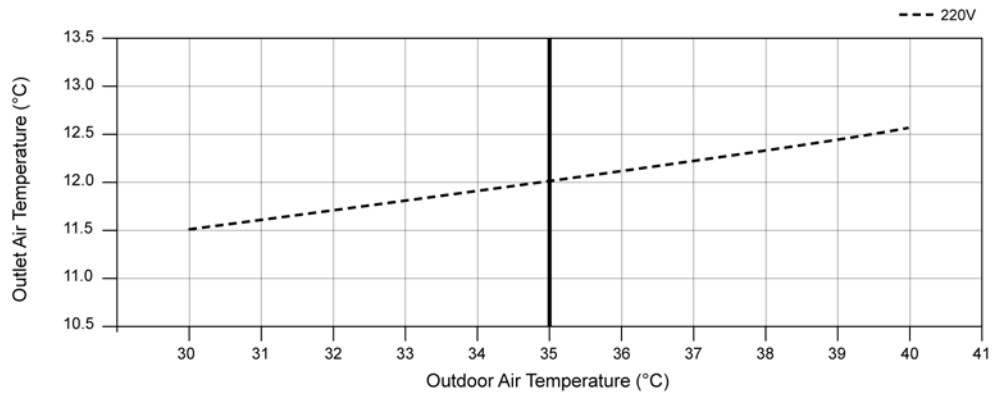
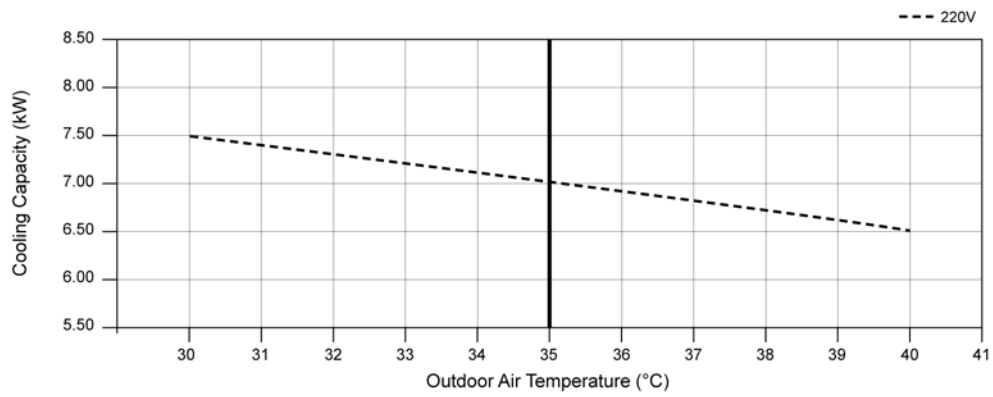
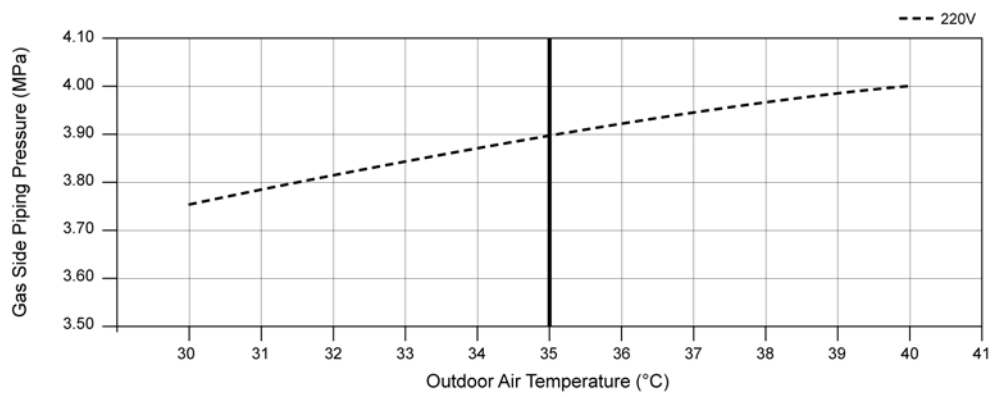
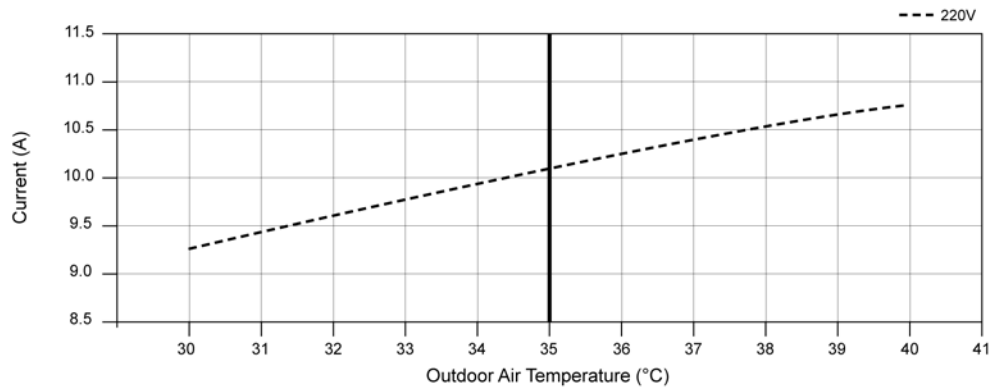
16.2.2. CS-C24GKV CU-C24GKV

● Cooling Characteristic

Room temperature : 27°C (DBT), 19°C (WBT)

Operation condition : High fan speed

Piping length : 5m

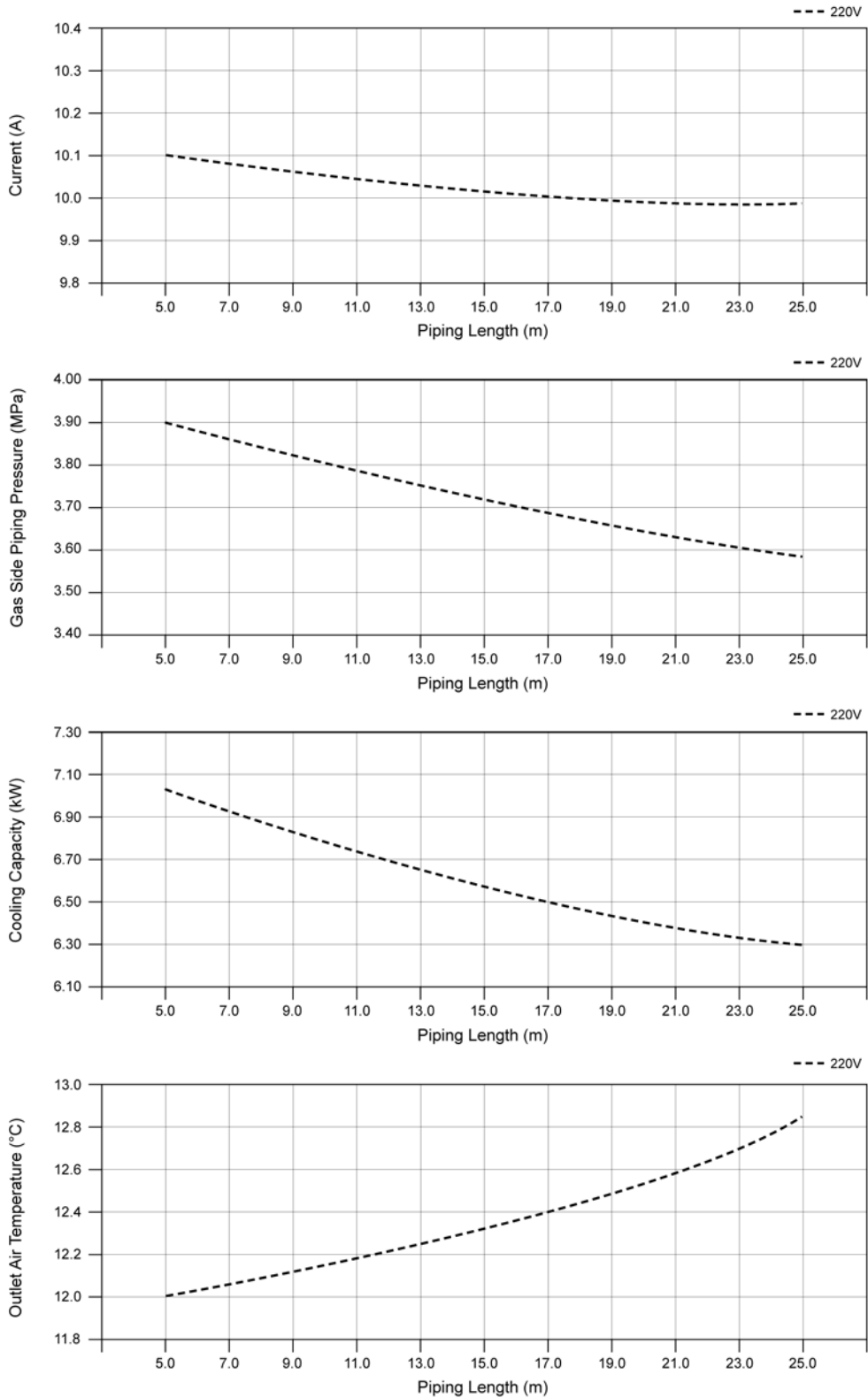


● Piping Length Characteristic

Room temperature : 27°C (DBT), 19°C (WBT)

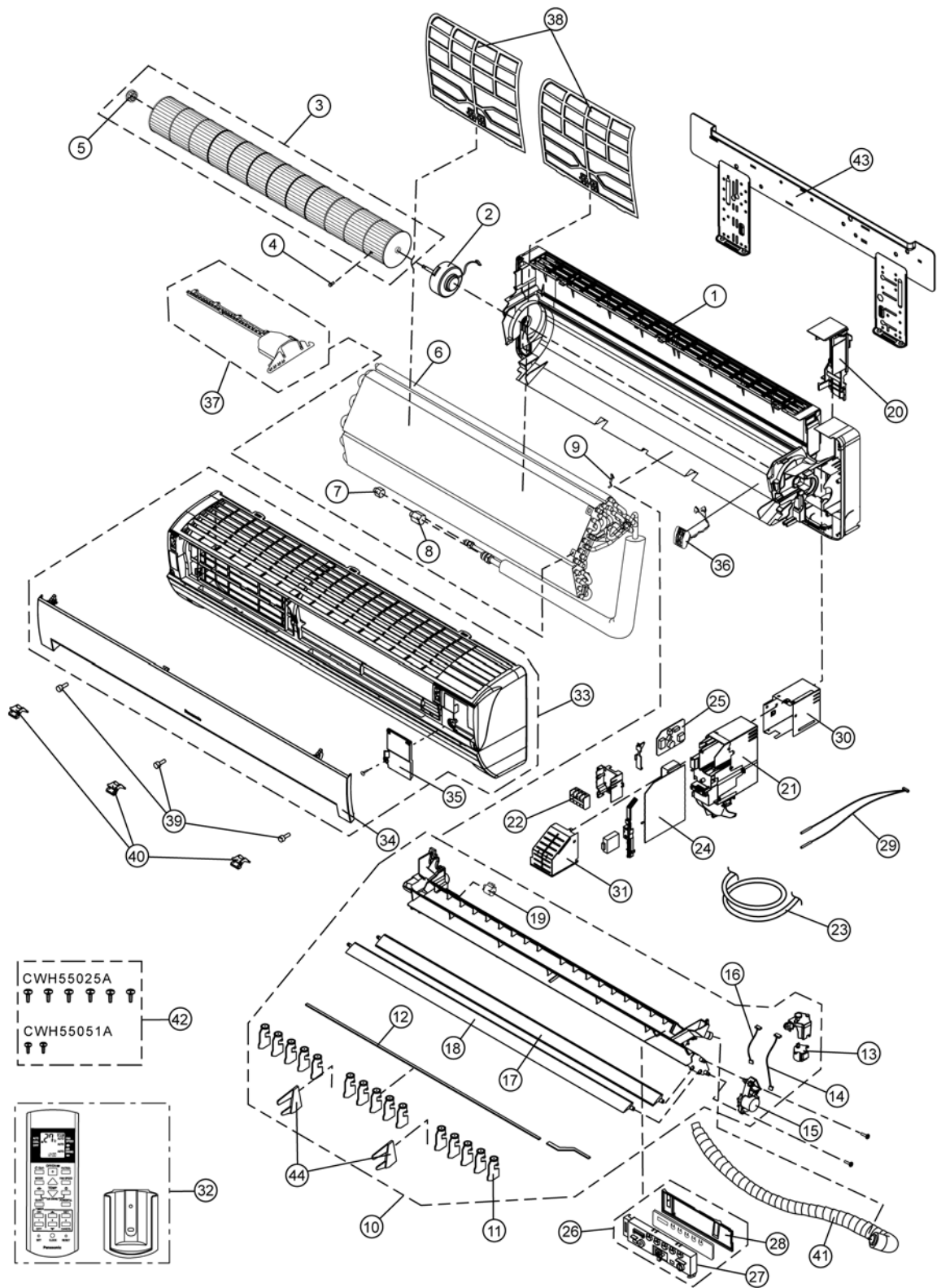
Operation condition : High fan speed

Outdoor temperature: 35/24°C



17 Exploded View and Replacement Parts List

17.1. Indoor Unit



Note:

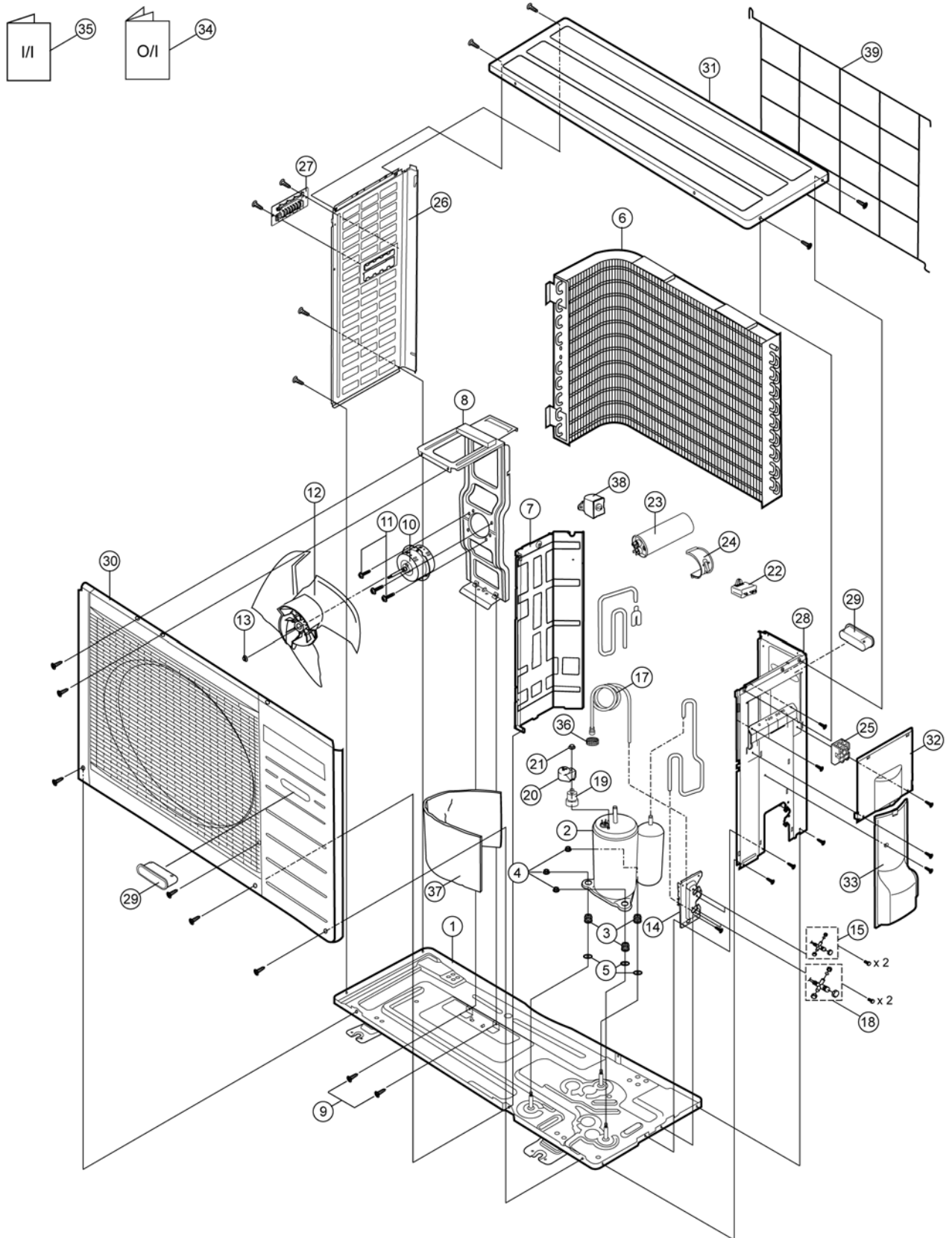
The above exploded view is for the purpose of parts disassembly and replacement.
The non-numbered parts are not kept as standard service parts.

REF. NO.	PART NAME & DESCRIPTION	QTY.	CS-C18GKV	CS-C24GKV
1	CHASSY COMPLETE	1	CWD50C1520	←
2	FAN MOTOR, DC 30W 3PH	1	CWA981149J	←
3	CROSS FLOW FAN COMPLETE	1	CWH02C1010	←
4	SCREW - CROSS FLOW FAN	1	CWH551146	←
5	BEARING ASS'Y	1	CWH64K007	←
6	EVAPORATOR CO.	1	CWB30C2150	CWB30C2149
7	FLARE NUT (1/4")	1	CWT251026	←
8	FLARE NUT (1/2") (5/8")	1	CWT251035	CWT251036
9	INTAKE AIR SENSOR HOLDER	1	CWH32143	←
10	DISCHARGE GRILLE COMPLETE	1	CWE20C2683	←
11	VERTICAL VANE	15	CWE241088	←
12	CONNECTING BAR	1	CWE261025	←
13	A.S.MOTOR,DC SINGLE 12V 300 OHM	1	CWA98260+MJ	←
14	LEAD WIRE - AIR SWING MOTOR	1	CWA67C3977	←
15	A.S.MOTOR,DC SINGLE 12V 300 OHM	1	CWA98K1008	←
16	LEAD WIRE - AIR SWING MOTOR	1	CWA67C4445	←
17	HORIZONTAL VANE	1	CWE241152C	←
18	HORIZONTAL VANE	1	CWE241153C	←
19	CAP FOR DRAIN TRAY COMPLETE	1	CWH521096	←
20	BACK COVER CHASSIS	1	CWD932162B	←
21	CONTROL BOARD CASING	1	CWH102334	←
22	TERMINAL BOARD COMPLETE	1	CWA28C2068	CWA28C2119J
23	P.S.CORD	1	CWA20C2617	CWA20C2610
24	ELECTRONIC CONTROLLER - MAIN	1	CWA73C2718	CWA73C2650
25	ELECTRONIC CONTROLLER - POWER	1	CWA744788	←
26	INDICATOR COMPLETE	1	CWE39C1174	←
27	INDICATOR HOLDER	1	CWD932817	←
28	INDICATOR HOLDER	1	CWD932818	←
29	SENSOR COMPLETE	1	CWA50C2122	←
30	CONTROL BOARD TOP COVER	1	CWH131209	←
31	CONTROL BOARD FRONT COVER	1	CWH131210	←
32	REMOTE CONTROL COMPLETE	1	CWA75C2988	←
33	FRONT GRILLE COMPLETE	1	CWE11C3669	←
34	INTAKE GRILLE COMPLETE	1	CWE22C1361	←
35	GRILLE DOOR	1	CWE141076	←
36	ION - GENERATOR	1	CWH94C0014	←
37	e-ION AIR PURIFYING SYSTEM	1	CWH14C5600	←
38	e-ION FILTER	2	CWD00K1002	←
39	SCREW - FRONT GRILLE	3	XTT4+16CFJ	←
40	CAP - FRONT GRILLE	3	CWH521062A	←
41	DRAIN HOSE	1	CWH851063	←
42	BAG COMP. - INSTALLATION SCREW	1	CWH82C067	←
43	INSTALLATION HOLDER ASS'Y	1	CWH36K1007	←
44	FULCRUM	2	CWH621047	←

(Note)

- All parts are supplied from PHAAM, Malaysia (Vendor Code: 061).

17.2. Outdoor Unit



Note:

The above exploded view is for the purpose of parts disassembly and replacement.
The non-numbered parts are not kept as standard service parts.

REF. NO.	PART NAME & DESCRIPTION	QTY.	CU-C18GKV	CU-C24GKV
1	CHASSY ASS'Y	1	CWD50K2115	CWD50K2100
2	COMPRESSOR	1	2K25S236F6A	2J39S236A1A
3	ANTI - VIBRATION BUSHING	3	CWH50055	←
4	NUT - COMPRESSOR MOUNT	3	CWH561049	←
5	PACKING - COM.MOUNT	3	CWB81043	←
6	CONDENSER	1	CWB32C2035	CWB32C2039
7	SOUND PROOF BOARD	1	CWH151051	←
8	FAN MOTOR BRACKET	1	CWD541065	←
9	SCREW - FAN MOTOR BRACKET	3	CWH551198	←
10	FAN MOTOR	1	CWA951401J	CWA951399J
11	SCREW - FAN MOTOR MOUNT	3	CWH55252J	←
12	PROPELLER FAN ASS'Y	1	CWH03K1017	←
13	NUT - PROPELLER FAN	1	CWH561038J	←
14	HOLDER COUPLING	1	CWH351036	←
15	3-WAY VALVE (LIQUID)	1	CWB011161	←
16	CAPILLARY TUBE ASS'Y	1	—	—
17	TUBE ASS'Y (CAPILLARY TUBE)	1	CWT023522	CWT023554
18	3-WAY VALVE (GAS)	1	CWB011483	CWB011213
19	OVERLOAD PROTECTOR CO.	1	CWA121074J	←
20	TERMINAL COVER	1	CWH171011	CWH171012
21	NUT - TERMINAL COVER	1	CWH7080300J	←
22	CAPACITOR - F.M (2 μ F, 440V)	1	DS441355NPQA	←
23	CAPACITOR - COMPRESSOR (40 μ F, 400V)	1	CWA312078	DS441606CPNA
24	HOLDER CAPACITOR	1	CWH30060	CWH30071
25	TERMINAL BOARD ASS'Y	1	CWA28K1064J	←
26	CABINET SIDE PLATE (L)	1	CWE041255A	←
27	HANDLE	1	CWE161010	←
28	CABINET SIDE PLATE COMPLETE	1	CWE04C1123	←
29	HANDLE	2	CWE16000E	←
30	CABINET FRONT PLATE ASS'Y	1	CWE06K1043	←
31	CABINET TOP PLATE ASS'Y	1	CWE03K1009A	←
32	CONTROL BOARD COVER	1	CWH131168	←
33	CONTROL BOARD COVER COMPLETE	1	CWH131169A	←
34	OPERATION INSTRUCTIONS	1	CWF565504	←
35	INSTALLATION INSTRUCTIONS	1	CWF613108	←
36	STRAINER	1	CWB11025	←
37	SOUND PROOF MATERIAL	1	CWG302278	←
38	THERMOSTAT	1	—	CWA151040
39	WIRE NET COMPLETE	1	CWD041041A	←

(Note)

- All parts are supplied from PHAAM, Malaysia (Vendor Code: 061).